



Safety Information

Printed Matter No. 8956002277

Date: 2023-04 Issue No. 01

Ratchet wrench

Valid from Serial No. A00001-202301 to Z99999-203212

Model:

RC3288

RC3688



	⚠ WARNING
	<p>To reduce risk of injury, everyone using, installing, repairing, maintaining, changing accessories on, or working near this tool MUST read and understand these instructions before performing any such task.</p> <p>DO NOT DISCARD - GIVE TO USER</p>

Schema 1

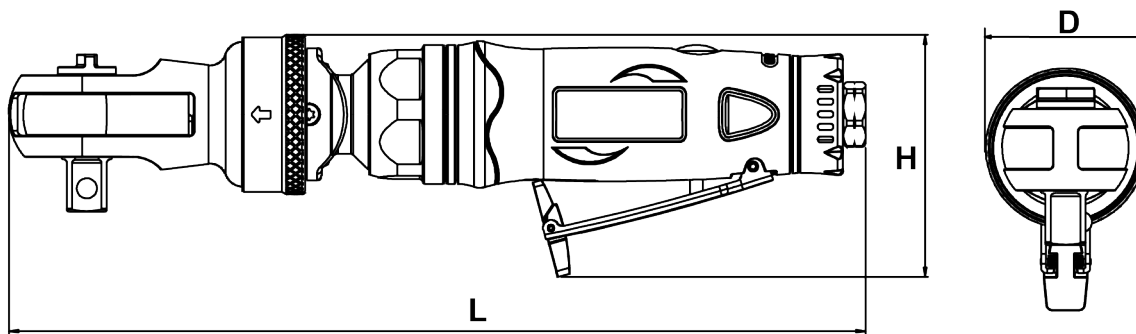
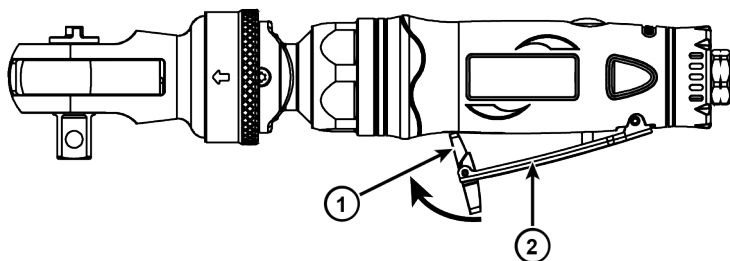


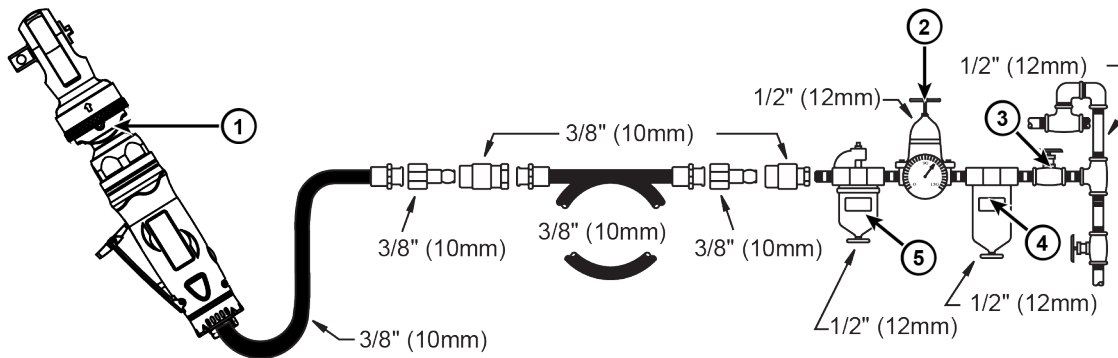
Table 1

Model	RC3288	RC3688
Free Air Consumption (l/s)	1.8	1.8
Free Speed (rpm)	169	165
Length (mm)	272	272
Height (mm)	76.8	76.8
Diameter (mm)	50.6	50.6
Min. Hose Size (mm)	10	10
Max. Torque (Nm)	80	90
Working Torque (Nm)	53	60
Air Inlet Thread Size (")	1/4 BSPP	1/4 BSPP
Square Drive (")	3/8	1/2
Weight (kg)	1.42	1.43

Schema 2



Schema 3



1) Ratchet Wrench

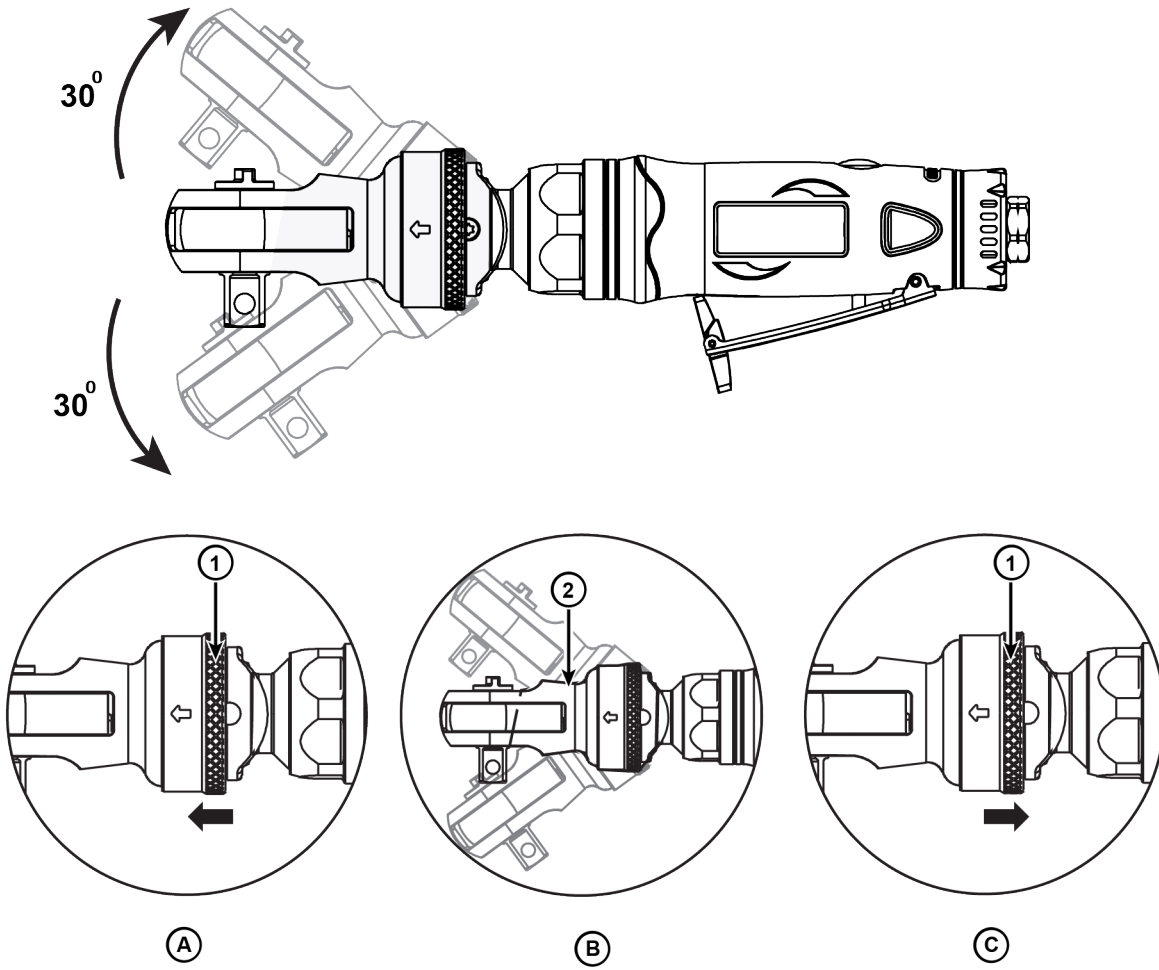
2) Pressure Regulator

3) Shut-Off Valve

4) Air Filter

5) Lubricator

Schema 4



Schema 5

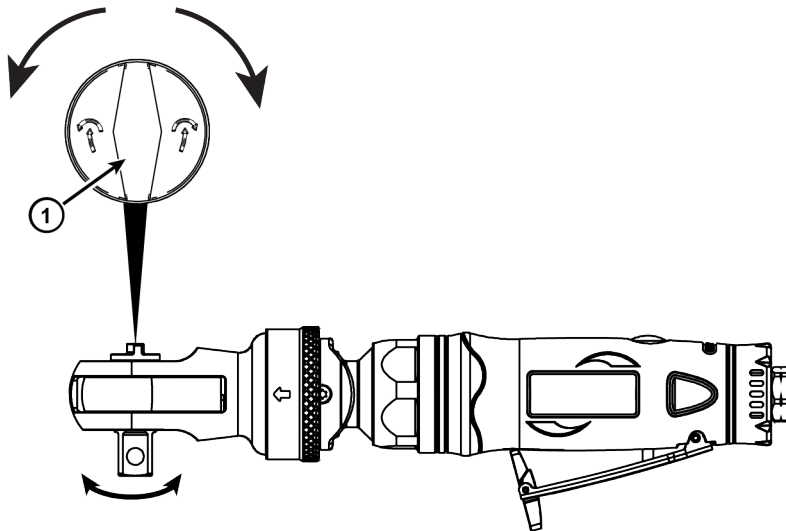


Table of Contents

EN	Safety Information.....	5
FR	Informations concernant la sécurité	8
DE	Sicherheitshinweise.....	12
ES	Información sobre seguridad.....	16
PT	Informação de Segurança.....	20
IT	Informazioni sulla sicurezza.....	23
NL	Veiligheidsinformatie.....	27
DA	Sikkerhedsoplysninger	31
NO	Sikkerhetsinformasjon.....	34
FI	Turvallisuustiedot.....	38
EL	Πληροφορίες για την ασφάλεια	41
SV	Säkerhetsinformation	45
RU	Информация по технике безопасности	49
PL	Informacje dotyczące bezpieczeństwa	53
SK	Bezpečnostné informácie	57
CS	Bezpečnostní informace	61
HU	Biztonsággal kapcsolatos tudnivalók	64
SL	Varnostne informacije.....	68
RO	Informații privind siguranța	71
TR	Güvenlik bilgileri	75
BG	Информация за безопасност.....	79
HR	Sigurnosne informacije	83
ET	Ohutus informatsioon.....	86
LT	Saugos informacija.....	90
LV	Drošības informācija	93
ZH	安全信息.....	97
JA	安全情報.....	99
KO	안전 정보.....	103

Declarations

EU Declaration of Conformity

We, **Desoutter GmbH**, Edmund-Seng-Str. 3-5, 63477 Maintal, Germany, declare under our sole responsibility that the product (with name, type, and serial number, see the front page) is in conformity with the following Directive (s):

2006/42/EC (17/05/2006)

Harmonized standards applied:
EN 11148-6:2013


Authorities can request relevant technical information from:

Pascal Roussy, R&D Manager, Ets Georges Renault, 38 rue Bobby Sands, BP10273 44818

Saint Herblain, France

Saint-Herblain, 2023/02/07

Pascal ROUSSY

Signature




UK Declaration of Conformity

We, **Desoutter GmbH**, Edmund-Seng-Str. 3-5, 63477 Maintal, Germany, declare under our sole responsibility that the product (with name, type and serial number, see front page) is in conformity with the following UK Regulation(s):

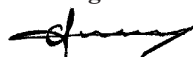
Supply of Machinery (Safety) Regulations 2008

Designated Standards applied:

EN 11148-6:2013

Saint-Herblain, 2023/02/07

Pascal ROUSSY

Signature




Authorities can request relevant technical information from:

UK Authorized Representative:

Air Compressors & Tools Ltd

Unit 5 Westway 21

Chesford Grange, Woolston,

Warrington, WA1 4SZ

UK

Contact: M.Taylor

Noise and Vibration Declaration Statement

- Sound pressure level 84.8 dB(A) , uncertainty 3 dB(A), in accordance with ISO 15744.
- Sound power level 95.8 dB(A) , uncertainty 3 dB(A), in accordance with ISO 15744.
- Vibration total value 13.08 m/s², uncertainty 1.63 m/s², in accordance with ISO-28927-2.

These declared values were obtained by laboratory-type testing in accordance with the stated standards and are suitable for comparison with the declared values of other tools tested in accordance with the same standards. The vibration emission level may be used for a preliminary assessment of exposure. These declared values are not adequate for use in risk assessments and values measured in individual workplaces

maybe higher. The actual exposure values and risk of harm experienced by an individual user are unique and depend upon the way the user works, the workpiece, and the workstation design, as well upon the exposure time and the physical condition of the user.

We, **Desoutter GmbH**, cannot be held liable for the consequences of using the declared values, instead of values reflecting the actual exposure, in an individual risk assessment happening in a workplace situation a workplace situation over which we have no control.

This tool may cause hand-arm vibration syndrome if its use is not adequately managed. An EU guide to managing hand-arm vibration can be found by accessing <http://www.pneuop.eu/index.php> and selecting 'Tools' and then 'Legislation'.

We recommend a programme of health surveillance to detect early symptoms which may relate to noise or vibration exposure, so that the management procedures can be modified to help prevent future impairment.

- ① If this equipment is intended for fixtured applications:
The noise emission is given as a guide to the machine-builder. Noise and vibration emission data for the complete machine should be given in the instruction manual for the machine.

Information regarding Article 33 in REACH

The European Regulation (EU) No. 1907/2006 on Registration, Evaluation, Authorization, and restriction of Chemicals (REACH) defines among other things requirements related to communication in the supply chain. The information requirement applies also to products containing so-called Substances of Very High Concern (the "Candidate List"). On 27 June 2018 lead metal (CAS nr 7439-92-1) was added to the Candidate List.

In accordance with the above, this is to inform you that certain mechanical components in the product may contain lead metal. This is in compliance with the current substance restriction legislation and based on legit exemptions in the RoHS Directive (2011/65/EU). Lead metal will not leak or mutate from the product during normal use and the concentration of lead metal in the complete product is well below the applicable threshold limit. Please consider local requirements on the disposal of lead at product end of life.

Regional Requirements

WARNING

This product can expose you to chemicals including lead, which is known to the State of California to cause cancer and birth defects or other reproductive harm. For more information go to

<https://www.p65warnings.ca.gov/>

Safety

DO NOT DISCARD - GIVE TO USER

⚠ WARNING Read all safety warnings, instructions, illustrations and specifications provided with this power tool.

Failure to follow all instructions listed below may result in electric shock, fire, and/or serious injury.

Save all warnings and instructions for future reference.

⚠ WARNING All locally legislated safety rules regarding installation, operation and maintenance shall be respected at all times.

Statement of Use

- For professional use only.
- This product and its accessories must not be modified in any way.
- Do not use this product if it has been damaged.
- If the product data or hazard warning signs on the product cease to be legible or become detached, replace without delay.
- The product must only be installed, operated and serviced by qualified personnel in an industrial environment.

Intended Use

This product is designed for installing and removing threaded fasteners in wood, metal or plastic.

Cable and battery tools: Indoor use only. No other use permitted.

The use of spare parts or accessories other than those originally supplied by the manufacturer may result in a drop in performance and in an increased maintenance, noise level or vibrations, and as a result, the full cancellation of the manufacturer's liability.

Product Specific Instructions

Operation

Air Supply Requirements

1. Supply clean, dry air with maximum pressure 90 psi (6.3 bar) to the tool. Higher pressure drastically reduces tool life.
2. Connect the tool to air line using pipe, hose, and fitting sizes shown in the *schema 3*.

Installation / Operation

1. Connect the tool as shown in *schema 3*.
2. To start the tool, pull the safety lever (1) and push the throttle lever (2).
3. Increase the tool speed by increasing pressure on the throttle lever (2). *Refer schema 2*.
4. Release the throttle lever (1) to stop the tool. *Refer schema 1*.

Turning Head Position

Refer Schema 4

1. Stop the tool.
2. Push forward the lock sleeve (1).
3. Change the position of the tool head up or down (2), or back to normal position. *Refer Schema 1*.
4. Push back the lock sleeve (1) to lock the head position. *Refer Schema 1*

⚠ WARNING

- ▶ Do not start the tool, if the tool head is not locked.

Changing the Direction of Rotation

Refer Schema 5

1. Stop the tool.
2. Turn the knob (1) to rotate the tool head in clockwise or anti-clockwise direction.
3. Start the tool again.

After the work is finished

⚠ WARNING The stopping time may be longer than 5 seconds.

- ▶ Make sure that the tool is switched off and has come to a complete stop before it is laid down.
- ▶ The stopping time is dependent on the abrasive used.

Put down the tool carefully to ensure that the tool will not start by itself/on its own.

Service and Maintenance

Lubrication

Use an air line lubricator with SAE #10 oil, adjusted to two (2) drops per minute.

Maintenance instructions

- Follow the environmental regulations of the local country for safe handling and disposal of all components.
- Maintenance and repair work must be carried out by qualified personnel by using only original spare parts. Contact the manufacturer or your nearest authorized dealer for advice on technical service or if you require spare parts.
- Always ensure that the machine is disconnected from energy source to avoid accidental operation.
- Disassemble and inspect the tool every three 3 months (500 hours) if the tool is used every day. Replace damaged or worn parts.
- To keep downtime to a minimum, the following service kit is recommended: **Tune-up kit**

Disposal

- The legislation of the respective country must be followed for the disposal of this equipment.
- All damaged, badly worn or improperly functioning devices **MUST BE TAKEN OUT OF OPERATION**.

General safety instructions

Air supply and connection hazards

- Air under pressure can cause severe injury.
- Always shut off air supply, drain hose of air pressure and disconnect tool from air supply when not in use, before changing accessories or when making repairs.
- Never direct air at yourself or anyone else.
- Whipping hoses can cause severe injury. Always check for damaged or loose hoses and fittings.
- Do not use quick disconnect couplings at tool. See instructions for correct set up.
- Whenever universal twist couplings are used, lock pins must be installed.
- Do not exceed maximum air pressure of 6.3 bar / 90 psig, or as stated on tool nameplate.

Entanglement hazards

- Keep away from rotating drive. Choking, scalping and / or lacerations can occur if loose clothing, gloves, jewellery, neck ware and hair are not kept away from tool and accessories.
- Gloves can become entangled with the rotating drive, causing severed or broken fingers.
- Rotating drive sockets and drive extensions can easily entangle rubber-coated or metal-reinforced gloves.
- Do not wear loose-fitting gloves or gloves with cut or frayed fingers.
- Never hold the drive, socket or drive extension.

Projectile hazards

- Always wear impact-resistant eye and face protection when involved with or near the operation, repair or maintenance of the tool or changing accessories on the tool.
- Be sure all others in the area are wearing impact-resistant eye and face protection. Even small projectiles can injure eyes and cause blindness.
- Serious injury can result from over-torqued or under-torqued fasteners, which can break, or loosen and separate. Released assemblies can become projectiles. Assemblies requiring a specific torque must be checked using a torque meter.

NOTE So-called “click” torque wrenches do not check for potentially dangerous over-torqued conditions.

- Never operate the tool off the work. It may run too fast and cause the accessory to be thrown off the tool.
- Ensure that the workpiece is securely fixed.

Accessory hazards

- Use only proper accessory retainers (see parts list). Use deep sockets wherever possible.
- For tools using the pin and O-ring socket retention system, use the O-ring to retain the socket pin securely.
- Use only impact wrench rated sockets and accessories in good condition. Sockets in poor condition or hand sockets and accessories used with impact wrenches can shatter and become a projectile.

- Always use the simplest hook-up possible. Long, springy extension bars and adapters absorb impact power and could break. Use deep sockets wherever possible.
- Do not touch sockets or accessories during operation, as this increases the risk of cuts, burns or vibration injuries.

Operating hazards

- Operators and maintenance personnel must be physically able to handle the bulk, weight and power of the tool.
- Hold the tool correctly: be ready to counteract normal or sudden movements – have both hands available.
- Do not use with reduced air pressure or in a worn condition: the clutch may not operate, resulting in sudden rotation of the tool handle.
- Be in control of the throttle at all times. Do not get caught between the tool and the work.

Repetitive motion hazards

- When using a power tool to perform work-related activities, the operator might experience discomfort in the hands, arms, shoulders, neck, or other parts of the body.
- Adopt a comfortable posture whilst maintaining secure footing and avoiding awkward or off-balance postures. Changing posture during extended tasks can help avoid discomfort and fatigue.
- Do not ignore symptoms such as persistent or recurring discomfort, pain, throbbing, aching, tingling, numbness, burning sensation, or stiffness. Stop using the tool, tell your employer and consult a physician.

Noise and Vibration hazards

- High sound levels can cause permanent hearing loss and other problems such as tinnitus. Use hearing protection as recommended by your employer or occupational health and safety regulations.
- Exposure to vibration can cause disabling damage to the nerves and blood supply of the hands and arms. Wear warm clothing and keep your hands warm and dry. If numbness, tingling, pain or whitening of the skin occurs, stop using tool, tell your employer and consult a physician.
- Hold the tool in a light but safe grip because the risk from vibration is generally greater when the grip force is higher.
- Where possible use a suspension arm or fit a side handle.
- Select, maintain and replace the accessories and consumable/inserted tool in accordance with the instructions manual, to prevent an unnecessary increase in vibration levels.
- Do not use worn or ill-fitting screwdriver bits, sockets or extensions, as this is likely to cause a substantial increase in vibration.

Workplace hazards

- Slip/Trip/Fall is a major cause of serious injury or death. Be aware of excess hose left on the walking or work surface.
- Avoid inhaling dust or fumes or handling debris from the work process which can cause ill health (for example, cancer, birth defects, asthma and/or dermatitis). Use dust

extraction and wear respiratory protective equipment when working with materials which produce airborne particles.

- Some dust created by power sanding, sawing, grinding, drilling and other construction activities contains chemicals known to the State of California to cause cancer and birth defects or other reproductive harm. Some examples of these chemicals are:
 - Lead from lead based paints
 - Crystalline silica bricks and cement and other masonry products
 - Arsenic and chromium from chemically-treated rubber

Your risk from these exposures varies, depending on how often you do this type of work. To reduce your exposure to these chemicals: work in a well ventilated area, and work with approved safety equipment, such as dust masks that are specially designed to filter out microscopic particles.

- Proceed with care in unfamiliar surroundings. Be aware of potential hazards created by your work activity. This tool is not insulated from coming into contact with electric power sources.
- This tool is not recommended for use in potentially explosive atmospheres.

(i) Additional safety information regarding portable air tools:

- CAGI 2528 - B186.1, SAFETY CODE FOR PORTABLE AIR TOOLS, available from Global Engineering Documents at <https://global.ihs.com/> or call +1 800 447-2273. In case of difficulty in obtaining ANSI standards, contact ANSI via <https://www.ansi.org/>

Useful Information

Country of origin

Taiwan

Website

Information concerning our Products, Accessories, Spare Parts and Published Matters can be found on the Rodcraft website.

Please visit: www.rodcraft.com.

Safety Data Sheet

The Safety Data Sheets describe the chemical products sold by Rodcraft.

Please consult the Rodcraft website for more information qr.cp.com/sds.

Copyright

© Copyright 2023, Desoutter GmbH, Edmund-Seng-Str. 3-5, 63477 Maintal, Germany

All rights reserved. Any unauthorized use or copying of the contents or part thereof is prohibited. This applies in particular to trademarks, model denominations, part numbers, and drawings. Use only authorized parts. Any damage or malfunction caused by the use of unauthorized parts is not covered by Warranty or Product Liability.

Déclarations

Déclaration de conformité UE

Nous, **Desoutter GmbH**, Edmund-Seng-Str. 3-5, 63477 Maintal, Germany, déclarons sous notre seule et entière responsabilité que le produit (dont le nom, le type et le numéro de série figurent en première page) est en conformité avec la ou les directives suivantes :



2006/42/EC (17/05/2006)

Normes harmonisées appliquées : **EN 11148-6:2013**

Les autorités peuvent obtenir les informations techniques pertinentes en s'adressant à : Pascal Roussy, R&D Manager, Ets Georges Renault, 38 rue Bobby Sands, BP10273 44818 Saint Herblain, France

Saint-Herblain, 2023/02/07

Pascal ROUSSY

Signature

Déclaration relative au bruit et aux vibrations

- Niveau de pression acoustique 84.8 dB(A), incertitude 3 dB(A), en conformité avec ISO 15744.
- Niveau de puissance acoustique 95.8 dB(A), incertitude 3 dB(A), en conformité avec ISO 15744.
- Valeur de la vibration totale 13.08 m/s², incertitude 1.63 m/s², conformément à ISO-28927-2.

Les valeurs déclarées ont été obtenues par le biais d'essais de type effectués en laboratoire, conformément aux normes mentionnées, et peuvent être comparées avec les valeurs déclarées des autres outils testés dans le cadre de ces mêmes normes. Le niveau d'émission de vibrations peut être utilisé pour une évaluation préliminaire de l'exposition. Ces valeurs déclarées ne peuvent pas être utilisées pour l'évaluation des risques et les valeurs mesurées sur des lieux de travail individuels peuvent être supérieures. Les valeurs réelles d'exposition et le risque de préjudice subi par un utilisateur individuel sont uniques et dépendent de la façon dont cet utilisateur travaille, de la pièce sur laquelle il travaille et de la conception du poste de travail, ainsi que du temps d'exposition et de l'état de santé physique de l'utilisateur.

Notre société, **Desoutter GmbH**, ne peut en aucun cas être tenue responsable des conséquences de l'utilisation des valeurs déclarées à la place des valeurs reflétant l'exposition réelle dans l'évaluation des risques individuels dans un lieu de travail sur lequel nous n'avons aucun contrôle.

Cet outil peut provoquer un syndrome des vibrations mains-bras s'il n'est pas utilisé correctement. Un guide européen de gestion des vibrations main-bras est disponible sur le site <http://www.pneurop.eu/index.php> en sélectionnant « Tools » puis « Legislation ».

Nous recommandons la mise en place d'un programme de surveillance médicale afin de détecter les premiers symptômes qui pourraient être dus à une exposition aux vibrations ; les procédures de gestion pourraient alors être modifiées pour éviter une future déficience.

- i** Si ce matériel est destiné aux applications embarquées : Le niveau sonore est donné à titre indicatif à l'intention du constructeur de machines. Les données de niveau sonore et de vibrations pour la machine complète devront figurer dans le manuel d'utilisation de cette dernière.

Informations concernant l'article 33 de REACH

Le règlement européen (UE) n° 1907/2006 sur l'enregistrement, l'évaluation et l'autorisation des substances chimiques, ainsi que les restrictions applicables à ces substances (REACH) définit entre autres les exigences relatives à la communication dans la chaîne d'approvisionnement. L'obligation d'information s'applique également aux produits contenant des substances dites extrêmement préoccupantes (la « Liste des substances candidates »). Le 27 juin 2018, le plomb (n° CAS 7439921) a été ajouté à la Liste des substances candidates.

Conformément à ce qui précède, ceci est pour vous informer que certains composants mécaniques du produit peuvent contenir du plomb. Ceci est conforme à la législation en vigueur en matière de restriction des substances et se fonde sur les exemptions légales prévues par la directive RoHS (2011/65/UE). Le plomb ne fuira pas ou ne mutera pas du produit lors d'une utilisation normale et la concentration de plomb dans le produit complet est bien en dessous du seuil limite applicable. Veuillez tenir compte des exigences locales concernant l'élimination du plomb en fin de vie du produit.

Spécificités régionales

⚠ AVERTISSEMENT

Ce produit peut vous exposer à des produits chimiques comme le plomb qui est reconnu par l'État de Californie comme cancérigène et causant des malformations congénitales ou autres anomalies de la reproduction. Pour de plus amples informations

<https://www.p65warnings.ca.gov/>

Sécurité

NE PAS JETER - REMETTRE À L'UTILISATEUR

- ⚠** AVERTISSEMENT Lire l'ensemble des mises en garde et consignes de sécurité ainsi que les illustrations et les caractéristiques techniques fournies avec cet outil électrique.

Le non-respect de toutes les instructions répertoriées ci-dessous peut entraîner un choc électrique, un incendie et/ou un grave accident corporel.

Conserver l'ensemble des mises en garde et consignes pour pouvoir les consulter ultérieurement.

- ⚠** AVERTISSEMENT Toutes les réglementations locales de sécurité en matière d'installation, d'utilisation et de réparation doivent toujours être respectées.

Utilisation prévue

- Pour utilisation professionnelle uniquement.
- Ce produit et ses accessoires ne doivent être modifiés en aucune manière.
- Ne pas utiliser ce produit s'il a subi des dégâts.
- Si les vignettes apposées sur le produit pour indiquer les données du produit ou des mises en garde ne sont plus lisibles ou se décollent, les remplacer sans attendre.
- Le produit ne doit être installé que par un personnel qualifié, dans un environnement industriel.

Utilisation prévue

Ce produit est conçu pour poser et déposer des fixations filetées dans le bois, le métal ou le plastique.

Outils de câble et outils avec batterie: Utilisation en intérieur uniquement. Aucune autre utilisation n'est autorisée.

L'utilisation de pièces de rechange ou accessoires autres que ceux fournis d'origine par le fabricant peut entraîner une baisse de rendement et une augmentation de la fréquence des opérations de maintenance, du niveau sonore ou de vibrations, et par conséquent, l'annulation totale de la responsabilité du constructeur.

Instructions spécifiques au produit

Fonctionnement

Exigences en termes d'alimentation en air

1. Alimentez l'outil en air propre et sec à une pression maximale de 6,3 bars (90 psi). Une pression plus élevée réduit considérablement la durée de vie des outils.
2. Raccordez l'outil à la conduite d'air en utilisant des tuyaux, des flexibles et des raccords dont les dimensions sont affichées sur le *schéma n° 3*.

Installation / Fonctionnement

1. Raccordez l'outil comme indiqué dans le *schéma n° 3*.
2. Pour démarrer l'outil, tirez le levier de sécurité (1) et poussez le levier d'accélération (2).
3. Augmentez la vitesse de l'outil en augmentant la pression sur le levier de commande (2). Consultez le *schéma n° 2*.

- Relâchez le levier de commande (1) pour arrêter l'outil.
Consultez le schéma n° 1.

Tourner la position de la tête

Consultez le schéma n° 4

- Arrêtez l'outil.
- Poussez le manchon de blocage vers l'avant (1).
- Modifiez la position de la tête de l'outil vers le haut ou vers le bas (2) ou de retour à la position normale. *Consultez le schéma n° 1.*
- Repoussez le manchon de verrouillage (1) pour verrouiller la position de la tête. *Consultez le schéma n° 1*

AVERTISSEMENT

- ▶ Ne mettez pas l'outil en marche si la tête de l'outil n'est pas verrouillée.

Changer le sens de rotation

Consultez le schéma n° 5

- Arrêtez l'outil.
- Tournez la molette (1) pour faire tourner la tête de l'outil dans le sens horaire ou anti-horaire.
- Redémarrez l'outil.

Lorsque le travail est terminé

AVERTISSEMENT Le temps avant l'arrêt peut durer plus de 5 secondes.

- ▶ S'assurer que l'outil est éteint et s'est entièrement arrêté avant de le poser.
- ▶ Le temps d'arrêt complet dépend de l'abrasif utilisé.

Posez l'outil avec précaution pour vous assurer que l'outil ne démarre pas tout seul.

Entretien et maintenance

Lubrification

Utilisez un lubrificateur pneumatique avec de l'huile SAE #10, à un dosage de deux (2) gouttes par minute.

Consignes de maintenance

- **Suivez les réglementations environnementales du pays local pour une manipulation et une élimination sûres de tous les composants.**
- Les travaux de maintenance et de réparation doivent être effectués par un personnel qualifié à l'aide de pièces de rechange d'origine uniquement. Contactez le fabricant ou le revendeur agréé le plus proche pour obtenir des conseils techniques ou pour tout besoin de pièces de rechange.
- Veillez à toujours débrancher la machine de la source d'énergie pour éviter toute mise en fonctionnement accidentelle.
- Démontez et contrôlez l'outil tous les trois (3) mois (500 heures) si vous l'utilisez quotidiennement. Remplacez les pièces usées ou endommagées.

- Afin de limiter au strict minimum les périodes d'immobilisation, le kit d'entretien suivant est conseillé : **Kit de réglage**

Élimination

- La législation du pays concerné doit être respectée pour la mise au rebut de cet appareil.
- Tous les appareils endommagés, sévèrement usés ou ne fonctionnant pas correctement **DOIVENT ÊTRE MIS HORS SERVICE.**

Consignes générales de sécurité

Dangers liés à l'alimentation en air et aux branchements

- L'air sous pression peut provoquer de graves blessures.
- Toujours arrêter l'alimentation en air, évacuer l'air sous pression contenu dans les flexibles et débrancher l'outil du circuit d'alimentation en air lorsqu'il n'est pas utilisé, avant de changer d'accessoire ou avant d'effectuer des réparations.
- Ne jamais diriger le jet d'air vers soi ou vers quelqu'un d'autre.
- Le fouettement des tuyaux souples peut provoquer de graves blessures. Toujours vérifier que les tuyaux souples et les raccords ne sont ni endommagés ni desserrés.
- N'utilisez pas de raccord à débranchement rapide sur l'outil. Effectuer l'installation conformément aux instructions.
- Chaque fois que des raccords universels sont utilisés, il faut installer des goupilles de verrouillage.
- Ne pas dépasser la pression d'air maximale de 6,3 bars / 90 psi relatifs ou la pression indiquée sur la plaque signalétique de l'outil.

Risques de happement

- Tenez-vous à l'écart de la broche en rotation. Il existe un risque d'étranglement, d'arrachement du cuir chevelu ou de lacérations si les vêtements amples, gants, bijoux, articles portés autour du cou et cheveux ne sont pas tenus à distance de l'outil et des accessoires.
- Les gants peuvent être happés par la broche d'entraînement tournante, avec un risque de blessure ou de fracture des doigts.
- Les douilles et rallonges d'entraînement en rotation peuvent facilement happer les gants à revêtement caoutchouc ou à renfort métallique.
- Ne pas porter de gants trop grands ni de gants présentant des doigts coupés ou effilochés.
- Ne jamais tenir la broche d'entraînement, la douille ou la rallonge.

Risques de projections

- Toujours porter une protection des yeux et du visage résistante aux chocs pour travailler avec l'outil ou à proximité, pour les réparations ou l'entretien de l'outil ou pour changer des accessoires.

- Veillez à ce que toutes les personnes se trouvant à proximité portent une protection des yeux et du visage résistante aux chocs. Même de petits projectiles peuvent abîmer les yeux et provoquer une cécité.
- Les fixations trop ou pas assez serrées peuvent se rompre, se desserrer ou se détacher, entraînant de graves accidents. Les assemblages peuvent constituer des projectiles lorsqu'ils ne sont plus fixés. Si les assemblages sont à serrer à un couple spécifique, vérifier le serrage avec un couplemètre.

REMARQUE Les clés dynamométriques « à déclic » ne signalent pas les couples trop élevés ni les situations dangereuses.

- Ne jamais utiliser l'outil à vide. L'accessoire pourrait tourner trop vite et s'éjecter de l'outil.
- S'assurer que la pièce à usiner est solidement fixée.

Risques liés à la manipulation des accessoires

- N'utiliser que des fixations d'accessoires adéquates (voir la liste des pièces détachées). Si possible, utiliser des douilles profondes.
- Pour les outils qui utilisent un système de retenue des douilles par goupille et joint torique, utiliser le joint torique pour retenir solidement la goupille dans la douille.
- N'utiliser que des douilles et accessoires pour clés à chocs en bon état. Les douilles en mauvais état et les douilles et accessoires ordinaires utilisés avec des clés à chocs peuvent éclater et se transformer en projectile.
- Toujours utiliser les montages les plus simples possibles. Les barres d'extension longues et souples et les adaptateurs absorbent les vibrations et peuvent casser. Si possible, utiliser des douilles profondes.
- Ne pas toucher les douilles ou les accessoires pendant l'utilisation car cela augmente le risque de coupures, de brûlures ou de lésions dues aux vibrations.

Risques pendant l'utilisation

- Les utilisateurs et le personnel d'entretien doivent être physiquement capable de manier l'outil qui peut être encombrant, lourd et puissant.
- Prise en main correcte de l'outil : se tenir prêt à contrecarrer des mouvements normaux ou brusques - garder les deux mains libres pour maîtriser l'outil.
- Ne pas utiliser avec une pression d'air réduite et ne pas utiliser un outil usé : l'embrayage pourrait ne pas fonctionner et causer une rotation soudaine de la poignée de l'outil.
- Garder le contrôle de la commande de l'outil à tout moment. Faire attention à ne pas être pincé entre l'outil et la pièce à usiner.

Dangers liés aux mouvements répétitifs

- Lorsqu'il utilise un outil motorisé pour effectuer un travail, l'opérateur peut ressentir un inconfort au niveau des mains, des bras, des épaules, du cou ou d'autres parties du corps.

- Adopter une posture confortable tout en gardant de bons appuis et en évitant les mauvaises positions ou les positions déséquilibrées. Changer de posture pendant la réalisation de tâches prolongées peut contribuer à éviter l'inconfort et la fatigue.
- Ne pas ignorer les symptômes tels qu'un inconfort persistant ou récurrent, des douleurs, élancements, maux divers, fourmillements, engourdissements, une sensation de brûlure ou une raideur. Cesser d'utiliser l'outil, avertir l'employeur et consulter un médecin.

Dangers liés au bruit et aux vibrations

- Les niveaux sonores élevés peuvent provoquer une perte d'acuité auditive permanente ou d'autres problèmes tels que des acouphènes. Utiliser les protections auditives recommandées par l'employeur ou par la réglementation en matière d'hygiène et de sécurité au travail.
- L'exposition aux vibrations peut occasionner des lésions nerveuses handicapantes et empêcher le passage du sang aux mains et aux bras. Porter des vêtements chauds et garder les mains au chaud et au sec. Si des sensations d'engourdissement, de fourmillement, des douleurs ou une décoloration de la peau apparaissent, cesser immédiatement d'utiliser l'outil, avertir l'employeur et consulter un médecin.
- Tenir l'outil d'une main légère mais sûre : le risque des vibrations est en effet généralement plus grand lorsque l'on exerce une force de préhension plus importante.
- Si possible, utiliser un bras de suspension ou équiper l'outil d'une poignée latérale.
- Sélectionnez, entretenez et remplacez les accessoires et les consommables/outils insérés conformément au manuel d'instructions, afin d'éviter une augmentation inutile des niveaux de vibration.
- Ne pas utiliser des embouts de vissage, douilles ou rallonges usés ou tenant mal car cela pourrait causer une augmentation importante des vibrations.

Dangers liés au lieu de travail

- Les glissades, trébuchements ou chutes sont une cause majeure d'accidents corporels graves voire mortels. Penser à la surlongueur de flexible restant dans le passage ou dans l'aire de travail.
- Éviter d'inhaler les poussières ou vapeurs ou de manipuler les débris provenant des travaux qui peuvent provoquer des maladies (par exemple cancer, problèmes respiratoires, asthme ou dermatite). Utiliser des équipements d'extraction des poussières et porter des équipements de protection respiratoire pour travailler avec des matériaux qui produisent des particules en suspension.
- Certaines poussières créées par ponçage mécanisé, sciage, meulage, perçage et autres travaux de construction contiennent des substances chimiques qui sont reconnues comme pouvant provoquer des cancers, des anomalies congénitales et autres problèmes de reproduction. Parmi ces substances chimiques, on trouve :
 - le plomb provenant des peintures au plomb ;
 - la silice cristalline présente dans les briques, le ciment et autres matériaux de maçonnerie ;
 - l'arsenic et le chrome provenant des caoutchoucs traités chimiquement.

Le risque lié à l'exposition à ces substances varie en fonction de la fréquence à laquelle on effectue ce type de travaux. Pour réduire l'exposition à ces substances chimiques : travailler dans des endroits correctement ventilés et avec des équipements de sécurité homologués tels que des masques anti-poussière spécialement conçus pour filtrer les particules microscopiques.

- Procéder avec précautions dans un environnement non familier. Soyez toujours conscient des dangers potentiels créés par votre activité. Cet outil n'est pas isolé en cas de contact avec une source d'alimentation électrique.
- L'utilisation de cet outil n'est pas recommandée dans les atmosphères potentiellement explosibles.

i Informations de sécurité supplémentaires concernant les outils pneumatiques portables :

- CAGI 2528 - B186.1, CODE DE SÉCURITÉ POUR LES OUTILS PNEUMATIQUES PORTABLES, disponible auprès de Global Engineering Documents sur <https://global.ihs.com/> ou par téléphone au +1 800 447-2273. Si vous avez des problèmes à obtenir les normes ANSI, veuillez contacter ANSI à <https://www.ansi.org>.

Informations utiles

Pays d'origine

Taiwan

Site web

Des informations à propos de nos Produits, Accessoires, Pièces de rechange et Documentation sont disponibles sur le site Web de Rodcraft.

Veuillez consulter : www.rodcraft.com.

Fiche de données de sécurité

Les Fiches de données de sécurité décrivent les produits chimiques vendus par Rodcraft.

Veuillez consulter le site Web Rodcraft pour plus d'informations qr.cp.com/sds.

Copyright

© Copyright 2023, Desoutter GmbH, Edmund-Seng-Str. 3-5, 63477 Maintal, Germany

Tous droits réservés. Toute utilisation non autorisée ou copie de tout ou partie du présent document est interdite. Ceci s'applique plus particulièrement aux marques de commerce, dénominations de modèles, références et schémas. Utiliser exclusivement les pièces autorisées. Tout dommage ou dysfonctionnement causé par l'utilisation d'une pièce non autorisée ne sera pas couvert par la garantie du fabricant ou la responsabilité du fait des produits.

Erklärungen

EU-Konformitätserklärung

Wir, **Desoutter GmbH**, Edmund-Seng-Str. 3-5, 63477 Maintal, Germany, erklären hiermit in alleiniger Verantwortung, dass dieses Produkt (mit Bezeichnung, Typ und Seriennummer laut dem Deckblatt) die Anforderungen der folgenden Richtlinie(n) erfüllt:

2006/42/EC (17/05/2006)

Angewandte harmonisierte Normen:

EN 11148-6:2013

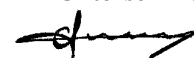
Behörden können relevante technische Informationen anfordern von:

Pascal Roussy, R&D Manager, Ets Georges Renault, 38 rue Bobby Sands, BP10273 44818 Saint Herblain, France

Saint-Herblain, 2023/02/07

Pascal ROUSSY

Unterschrift



Statement zur Geräusch & Vibrations-Deklaration

- Schalldruckpegel 84.8 dB(A) , Unsicherheit 3 dB(A) gemäß ISO 15744.
- Schalleistungspegel 95.8 dB(A) , Unsicherheit 3 dB(A) gemäß ISO 15744.
- Vibrationsgesamtwert 13.08 m/s², Unsicherheit 1.63 m/s² gemäß ISO-28927-2.

Die deklarierten Werte wurden durch Labortests gemäß den genannten Normen ermittelt und eignen sich zum Vergleich mit den deklarierten Werten anderer Werkzeuge, die denselben Normen entsprechend geprüft wurden. Der Vibrationsmissionspegel kann für eine vorläufige Expositionsabschätzung verwendet werden. Diese angegebenen Werte gelten nicht für den Einsatz bei Risikoeinschätzungen und Werte an individuellen Arbeitsstationen können höher liegen. Die tatsächlichen Expositionswerte und Schädigungsrisiken für einzelne Benutzer sind von Fall zu Fall unterschiedlich und hängen von der jeweiligen Arbeitsweise des Benutzers, vom Werkstück und von der Beschaffenheit des Arbeitsplatzes sowie von der Expositionsdauer und der körperlichen Verfassung des Benutzers ab.

Wir, **Desoutter GmbH**, können nicht für Folgen, die sich aus der Verwendung der von uns angegebenen Werte statt der realen Belastungswerte für die in einer Arbeitsplatzsituation durchgeführte Risikoeinschätzung ergeben, haftbar gemacht werden, da wir auf diese keinen Einfluss haben.

Dieses Werkzeug kann bei nicht fachgerechter Anwendung ein Hand-Arm-Vibrationssyndrom verursachen. Einen EU-Leitfaden, der sich mit Hand-Arm-Vibration befasst, finden Sie unter <http://www.pneurop.eu/index.php> und durch Auswahl von „Werkzeuge“ und anschließend „Gesetzgebung“.

Wir empfehlen ein Programm zur Gesundheitsüberwachung, durch welches frühe Symptome erkannt werden können, welche sich auf die Vibrationsexposition zurückführen lassen,

sodass die Abläufe der Maßnahmen daraufhin entsprechend geändert werden können, um zukünftige Beeinträchtigungen zu vermeiden.

- i** Wenn dieses Gerät für Einbauanwendungen vorgesehen ist:
Angaben zur Geräuschemission dienen als Richtwert für den Gerätebauer. Für das komplette Gerät geltende Geräusch- und Vibrationsemissionsdaten sollten in der zum Gerät gehörenden Bedienungsanleitung aufgeführt werden.

Informationen zu Artikel 33 in REACH

Die Verordnung (EG) Nr. 1907/2006 des Europäischen Parlaments und des Rates zur Registrierung, Bewertung, Zulassung und Beschränkung chemischer Stoffe (REACH) definiert unter anderem Anforderungen an die Kommunikation innerhalb der Lieferkette. Die Informationspflicht gilt auch für Produkte, die sogenannte besonders besorgniserregende Stoffe enthalten (die „Kandidatenliste“). Am 27. Juni 2018 wurde Blei (CAS Nr. 7439921) in die Kandidatenliste aufgenommen.

Gemäß den oben genannten Verordnungen und Hinweise informieren wir Sie hiermit darüber, dass bestimmte mechanische Komponenten des Produkts Blei enthalten können. Dies steht im Einklang mit den geltenden Rechtsvorschriften für Stoffbeschränkungen und basiert auf legitimen Ausnahmen im Rahmen der RoHS-Richtlinie (2011/65/EU). Bei normalem Gebrauch treten aus dem Produkt kein Blei oder Blei-derivate aus und die Bleikonzentration liegt weit unterhalb des geltenden Grenzwerts. Beachten Sie am Ende der Produktlebensdauer die vor Ort geltenden Bestimmungen zur Entsorgung von Blei.

Regionale Anforderungen

⚠️ WARNUNG

Dieses Produkt kann Sie Chemikalien, einschließlich Blei, aussetzen, was nach Kenntnis des Bundesstaats Kalifornien zu Krebserkrankungen und Geburtsfehlern oder sonstigen Schäden am Fortpflanzungssystem führen kann. Weitere Informationen finden Sie unter

<https://www.p65warnings.ca.gov/>

Sicherheit

NICHT WEGWERFEN - AN BENUTZER WEITERLEITEN

⚠️ WARNUNG Lesen Sie alle mit diesem Elektrowerkzeug bereitgestellten Sicherheitshinweise, Anweisungen, Abbildungen und Spezifikationen.

Eine Nichtbeachtung der Anweisungen kann zu Stromschlägen, Bränden und/oder ernsthaften Verletzungen führen.

Bewahren Sie alle Warnhinweise und Anweisungen zur künftigen Verwendung auf.

⚠️ WARNUNG Alle örtlichen Vorschriften, die Installation, Bedienung und Wartung betreffen, müssen immer beachtet werden.

Nutzungserklärung

- Nur zum Gebrauch durch ausgebildete Fachkräfte.
- Dieses Produkt und sein Zubehör dürfen in keinem Fall modifiziert werden.
- Benutzen Sie dieses Produkt nicht, wenn es beschädigt ist.
- Wenn die Produktdatenschilder oder Gefahrenwarnschilder unleserlich werden oder sich ablösen, sind diese sofort zu ersetzen.
- Das Produkt darf nur von geschulten Fachkräften und nur in Industrieumgebungen installiert, bedient und gewartet werden.

Vorgesehener Verwendungszweck

Dieses Produkt ist für das Einsetzen und Entfernen von Gewindeschrauben in Holz, Metall oder Kunststoff konzipiert.

Kabel- und Akkuwerkzeuge Nur zur Verwendung in Innenräumen. Sonstige Verwendungen sind unzulässig.

Die Verwendung anderer Ersatz- oder Zubehörteile als der ursprünglich vom Hersteller gelieferten kann zu einem Leistungsabfall und verstärktem Wartungsbedarf, höheren Schall- und Vibrationspegeln und hierdurch zu einer vollständigen Aufhebung der Herstellergarantie führen.

Produktspezifische Anweisungen

Bedienung

Anforderungen an die Druckluftversorgung

1. Versorgen Sie das Werkzeug mit sauberer, trockener Luft mit einem maximalen Druck von 90 psi (6,3 bar). Durch einen höheren Druck wird die Lebensdauer des Werkzeugs deutlich gesenkt.
2. Schließen Sie das Werkzeug mithilfe von Rohren, Schläuchen und Anschlüssen mit der im *Schema 3* gezeigten Größe an eine Luftleitung an.

Installation / Betrieb

1. Schließen Sie das Werkzeug wie im *Schema 3* gezeigt an.
2. Ziehen Sie zum Starten des Werkzeugs den Sicherheitsstarter (1) zurück und drücken Sie den Starterhebel (2) nach vorne.
3. Erhöhen Sie die Werkzeugdrehzahl, indem Sie den Druck am Starterhebel (2) erhöhen. *Siehe Schema 2.*
4. Lassen Sie den Starterhebel (1) los, um das Werkzeug anzuhalten. *Siehe Schema 1.*

Ändern der Kopfposition

Siehe Schema 4

1. Stoppen Sie das Werkzeug.
2. Drücken Sie die Verriegelungshülse (1) nach vorne.
3. Verändern Sie die Position des Werkzeugkopfs nach oben oder unten (2) oder zurück zur Normalposition. *Siehe Schema 1.*

- Drücken Sie die Verriegelungshülse (1) zurück, um die Kopfposition zu verriegeln. *Siehe Schema 1*

⚠️ WARNUNG

- ▶ Starten Sie das Werkzeug nicht, wenn der Werkzeugkopf nicht verriegelt ist.

Ändern der Drehrichtung

Siehe Schema 5

- Stoppen Sie das Werkzeug.
- Drehen Sie den Knopf (1), um den Werkzeugkopf im oder gegen den Uhrzeigersinn zu drehen.
- Starten Sie das Werkzeug erneut.

Nach abgeschlossener Arbeit

⚠️ WARNUNG Die Zeit bis zum Stillstand beträgt eventuell länger als 5 Sekunden.

- ▶ Stellen Sie sicher, dass das Gerät ausgeschaltet ist und zum Stillstand gekommen ist, bevor es abgelegt wird.
- ▶ Die Nachlaufzeit ist abhängig vom verwendeten Strahlmittel.

Legen Sie das Werkzeug vorsichtig ab, um sicherzustellen, dass es nicht selbstständig startet.

Instandhaltung und Wartung

Schmierung

Benutzen Sie eine Druckleitungsschmierung mit ÖL vom Typ SAE #10. Stellen Sie die Menge auf zwei (2) Tropfen pro Minute ein.

Wartungsanweisungen

- Halten Sie die Umweltschutzbestimmungen für die sichere Handhabung und Entsorgung aller Komponenten des jeweiligen Landes ein.
- Wartungs- und Instandsetzungsarbeiten dürfen ausschließlich von qualifiziertem Personal und unter Verwendung von Original-Ersatzteilen durchgeführt werden. Wenden Sie sich an den Hersteller oder den nächsten offiziellen Fachhändler, wenn Sie Rat zum technischen Service oder Ersatzteile benötigen.
- Stets darauf achten, dass die Maschine von der Energiequelle getrennt ist, um ein ungewolltes Inbetriebsetzen zu vermeiden.
- Zerlegen und überprüfen Sie das Werkzeug alle 3 Monate (500 Stunden), wenn das Werkzeug täglich benutzt wird. Schadhafte oder verschlissene Teile sind zu ersetzen.
- Um die Ausfallzeiten so gering wie möglich zu halten, wird das folgende Instandhaltungskit empfohlen: **Tune-up Kit**

Entsorgung

- Bei der Entsorgung dieses Geräts müssen die gesetzlichen Regelungen des jeweiligen Landes eingehalten werden.
- Schadhafte, stark abgenutzte oder fehlerhaft funktionierende Geräte **MÜSSEN AUSSER BETRIEB GENOMMEN WERDEN.**

Allgemeine Sicherheitshinweise

Gefahren im Zusammenhang mit Luftversorgung und -anschlüssen

- Druckluft kann schwere Verletzungen verursachen.
- Schließen Sie stets die Luftzufuhr, lassen Sie die Druckluft aus dem Schlauch entweichen und trennen Sie das Werkzeug von der Luftzufuhr, wenn das Werkzeug nicht in Gebrauch ist und bevor Sie Zubehör austauschen oder Reparaturen ausführen.
- Richten Sie die Druckluft nie auf sich oder andere.
- Lose, unter Druck stehende Schläuche können schwere Verletzungen verursachen. Überprüfen Sie das Werkzeug stets auf beschädigte oder lose Schläuche und Anschlussstücke.
- Verwenden Sie bei diesem Werkzeug keine schnell lösenden Kupplungen. Beachten Sie die Anweisungen für die ordnungsgemäße Einrichtung.
- Bei Verwendung von Universal-Drehkupplungen müssen Sperrrasten montiert werden.
- Beachten Sie die Höchstgrenze für den Luftdruck von 6,3 bar (90 psig) bzw. die auf dem Typenschild des Werkzeugs angegebene Höchstgrenze.

Gefahren durch Verfangen

- Halten Sie sich vom Drehantrieb fern. Halten Sie weite Kleidung, Handschuhe, Schmuck, Krawatten, Halstücher und Haare vom Werkzeug und Zubehör fern. Eine Verwicklung kann zur Strangulierung, Skalpierung und/oder zu Schnittwunden führen.
- Handschuhe können sich in der umlaufenden Antriebspindel verfangen, was dazu führen kann, dass Finger abgetrennt oder gebrochen werden.
- Mit Gummi beschichtete oder metallverstärkte Handschuhe können sich leicht in umlaufenden Steckschlüsseln und Antriebsverlängerungen verfangen.
- Keine weiten Handschuhe oder Handschuhe tragen, bei denen die Fingerteile Risse aufweisen oder ausgefranst sind.
- Antrieb, Steckschlüssel oder Antriebsverlängerungen niemals halten.

Gefahren im Zusammenhang mit katapultierten Bauteilen

- Tragen Sie stets schlagfeste Schutzbrillen und Gesichtsschutz, wenn Sie mit dem Werkzeug arbeiten, es warten oder reparieren, Zubehör austauschen oder sich in der Nähe der Arbeiten am oder mit dem Werkzeug aufhalten.
- Achten Sie darauf, dass andere, die sich in der Nähe des Werkzeugs aufhalten, schlagfeste Schutzbrillen und Gesichtsschutz tragen. Auch kleine Absplatterungen können Augenverletzungen und Erblindung hervorrufen.
- Es können schwere Verletzungen von Befestigungselementen ausgelöst werden, die mit zu hohem oder zu niedrigem Drehmoment behandelt wurden, da diese brechen, sich lösen oder in ihre Komponenten zerfallen können. Freigesetzte Baugruppenkomponenten können zu Projektilen werden. Schraubverbindungen, für die ein bestimmtes Drehmoment vorgeschrieben ist, müssen mit einem Drehmomentmesser nachgeprüft werden.

HINWEIS: So genannte „Knickschlüssel“ erlauben keine Kontrolle eventuell überhöhter Anzugsmomente.

- Benutzen Sie das Werkzeug niemals im Leerlauf. Durch die entstehende überhöhte Laufgeschwindigkeit kann das Zubehörteil vom Werkzeug weggeschleudert werden.
- Stellen Sie sicher, dass das Werkstück sicher fixiert ist.

Gefahren im Umgang mit dem Zubehör

- Benutzen Sie für alle Zubehörteile nur die dafür vorgesehene Aufnahme (siehe Stückliste). Verwenden Sie stets möglichst Steckschlüssel in langer Ausführung.
- Bei Werkzeugen, bei denen die Stift- und O-Ring-Steckschlüsselhalterung verwendet wird, den O-Ring zur Sicherung des Steckbolzens verwenden.
- Aus Sicherheitsgründen müssen sich für Schlagschrauber vorgesehene Steckschlüssel und sonstiges Zubehör stets in einwandfreiem Zustand befinden. Schadhafte Steckschlüssel, Steckschlüssel für Handknarren und sonstige nicht für Schlagschrauber vorgesehene Vorsatzwerkzeuge können bersten und zu einem Geschoss werden!
- Wählen Sie immer möglichst die direkte Verbindung zwischen Werkzeug und Steckschlüssel. Lange, federnde Verlängerungen oder Adapter vermindern die Schlagkraft und könnten zerstört werden. Verwenden Sie stets möglichst Steckschlüssel in langer Ausführung.
- Stecknüsse oder Zubehör während des Betriebs nicht berühren, da dies die Gefahr von Schnittverletzungen, Verbrennungen und vibrationsbedingten Verletzungen erhöht.

Gefahren während des Betriebs

- Bedien- und Wartungspersonal muss in der körperlichen Verfassung sein, um mit Größe, Gewicht und Leistung des Werkzeugs zu Rande zu kommen.
- Das Werkzeug ordnungsgemäß halten: Stets bereit bleiben, um normale oder plötzliche Bewegungen auffangen zu können – beide Hände verfügbar verhalten.
- Nicht mit einem verminderten Luftdruck oder in einem abgenutzten Zustand verwenden: Wenn die Kupplung nicht arbeitet, kann eine plötzliche Rotierung des Griffs erfolgen.
- Vergewissern Sie sich, daß Sie die Geschwindigkeit stets unter Kontrolle haben. Beachten Sie, dass Sie nicht zwischen das Werkzeug und das Arbeitsstück geraten.

Gefahren im Zusammenhang mit sich wiederholenden Bewegungen

- Im Beruf kann die Verwendung eines Elektrowerkzeugs nach längerer Zeit zu Unbehagen an Händen, Armen, Schultern, Nacken oder anderen Körperteilen führen.
- Nehmen Sie eine bequeme Stellung ein, achten Sie gleichzeitig auf einen sicheren Stand und vermeiden Sie eine schlechte oder schiefe Körperhaltung. Bei längeren Arbeiten können Unbehagen und Ermüdung sich dadurch vermeiden lassen, dass immer wieder die Körperhaltung gewechselt wird.
- Ignorieren Sie keine Symptome wie anhaltendes oder wiederkehrendes Unbehagen, Schmerzen, Pochen, Kribbeln, Gefühllosigkeit, ein brennendes Gefühl, Ge-

lenksteifigkeit oder sonstige Beschwerden. In dem Fall die Verwendung des Werkzeugs einstellen, Ihren Arbeitgeber benachrichtigen und einen Arzt aufsuchen.

Lärm- und Schwingungsgefährdung

- Hohe Geräuschpegel können zu dauerhaftem Gehörverlust und anderen Problemen wie Ohrensausen führen. Verwenden Sie Gehörschutz, wie von Ihrem Arbeitgeber oder von den Arbeitsschutzvorschriften empfohlen.
- Vibrationsbelastungen können zu Nervenschäden führen und die Durchblutung von Händen und Armen beeinträchtigen. Warme Kleidung tragen und die Hände stets warm und trocken halten. Sollten Sie Gefühllosigkeit, Kribbeln, Schmerzen oder weiße Flecken an Ihrer Haut bemerken, arbeiten Sie nicht mehr mit diesem Werkzeug, benachrichtigen Sie Ihren Arbeitgeber und wenden Sie sich an einen Arzt.
- Halten Sie das Werkzeug leicht aber sicher, da die mit Vibrationen verbundenen Risiken im Allgemeinen bei höherer Greifkraft größer sind.
- Verwenden Sie nach Möglichkeit eine Aufhängestütze oder bringen Sie einen Seitenhaltegriff an.
- Nehmen Sie Auswahl, Wartung und Austausch der Zubehörteile und Verbrauchsmaterialien/Einsätze gemäß der Bedienungsanleitung vor, um einen unnötigen Anstieg des Vibrationspegels zu verhindern.
- Keine abgenutzten oder schlecht sitzenden Schrauberbits, Steckschlüssel oder Verlängerungen verwenden, da dies wahrscheinlich zu einem erheblichen Anstieg des Vibrationspegels führt.

Gefahren am Arbeitsplatz

- Ausrutschen, Stolpern und Stürze gehören zu den häufigsten Verletzungs- oder Todesursachen. Stellen Sie sicher, dass weder auf dem Boden noch auf der Arbeitsfläche Schläuche herumliegen, die nicht gebraucht werden.
- Vermeiden Sie das Einatmen von Staub, Rauch oder Schmutz vom Arbeitsprozess, die Krankheiten verursachen können (z. B. Krebs, Geburtsfehler, Asthma und/oder Dermatitis). Verwenden bei der Arbeit mit Materialien, die Schwebstaub erzeugen, eine Staubabsauganlage und Atemschutz.
- Bestimmte Stäube, die beim Schmirgeln, Sägen, Schleifen, Bohren und bei anderen Herstellungs- und Bautätigkeiten entstehen, enthalten Chemikalien, die nach dem Informationsstand des US-Bundesstaates Kalifornien Krebs sowie embryonale Missbildungen oder sonstige Störungen der Fortpflanzungsorgane hervorrufen. Unter anderem sind folgende Chemikalien schädlich:
 - Blei aus bleihaltigen Farben und Lacken
 - Kristalliner Silikastein, Zement und sonstige Baustoffe
 - Arsen und Chrom aus chemisch behandeltem Gummi.

Das Ausmaß Ihrer Gefährdung hängt u. a. von der Häufigkeit ab, mit der Sie diesen Stoffen ausgesetzt sind. So schützen Sie sich bestmöglich gegen solche Chemikalien: Achten Sie auf eine ausreichende Belüftung des Arbeitsbereichs und arbeiten Sie mit der angebrachten Sicherheitsausrüstung wie Staubschutzmasken mit speziellen Mikropartikelfiltern.

- Arbeiten Sie in unbekanntem Umgebungen besonders vorsichtig. Machen Sie sich stets die potenziellen Gefahren bewusst, die von Ihrer Arbeit ausgehen. Dieses Werkzeug ist nicht gegen einen Kontakt mit Stromquellen isoliert.
- Dieses Werkzeug ist nicht für den Einsatz in Umgebungen mit Explosionsgefahr geeignet.

i **Zusätzliche Sicherheitshinweise für tragbare Druckluftwerkzeuge:**

- CAGI 2528 - B186.1, SICHERHEITSCODE FÜR TRAGBARE DRUCKLUFTWERKZEUGE; zu beziehen von Global Engineering Documents unter <https://global.ihs.com/> oder telefonisch unter +1 800 447-2273. ANSI-Normen können auch direkt bei ANSI unter <https://www.ansi.org/> angefordert werden.

Nützliche Informationen

Herkunftsland

Taiwan

Website

Informationen zu unseren Produkten, Zubehör, Ersatzteilen und Veröffentlichungen finden Sie auf der Internetseite von Rodcraft.

Besuchen Sie: www.rodcraft.com.

Sicherheitsdatenblatt

Die Sicherheitsdatenblätter enthalten Beschreibungen der von Rodcraft vertriebenen chemischen Produkte.

Weitere Informationen finden Sie auf der Webseite von Rodcraft unter qr.cp.com/sds.

Copyright

© Copyright 2023, Desoutter GmbH, Edmund-Seng-Str. 3-5, 63477 Maintal, Germany

Alle Rechte vorbehalten. Jeglicher nicht autorisierter Gebrauch sowie das Kopieren der Inhalte ganz oder in Teilen ist verboten. Dies gilt insbesondere für Handelsmarken, Modellbezeichnungen, Artikelnummern und Zeichnungen. Verwenden Sie ausschließlich Originalbauteile. Schäden oder Fehlfunktionen, die durch den Einsatz unzulässiger Teile entstehen, sind von der Garantie oder Produkthaftung ausgeschlossen.

Declaraciones

Declaración de conformidad UE

Nosotros, **Desoutter GmbH**, Edmund-Seng-Str. 3-5, 63477 Maintal, Germany, declaramos bajo nuestra única responsabilidad que el producto (con nombre, tipo y número de serie indicados en la primera página) es conforme a las siguientes Directivas:

2006/42/EC (17/05/2006)



Normativas armonizadas aplicadas:

EN 11148-6:2013

Las autoridades pueden solicitar información técnica relevante a:

Pascal Roussy, R&D Manager, Ets Georges Renault, 38 rue Bobby Sands, BP10273 44818 Saint Herblain, France

Saint-Herblain, 2023/02/07

Pascal ROUSSY

Firma

Declaración sobre ruido y vibraciones

- Nivel de presión acústica 84.8 dB(A), incertidumbre 3 dB(A), de conformidad con ISO 15744..
- Nivel de presión acústica 95.8 dB(A), incertidumbre 3 dB(A), de conformidad con ISO 15744.
- Valor total de vibración 13.08 m/s², incertidumbre 1.63 m/s², de acuerdo con ISO-28927-2.

Los valores declarados se han obtenido en pruebas de laboratorio realizadas con arreglo a las normas establecidas y son aptos para compararlos con los valores declarados de otras herramientas probadas de conformidad con las mismas normas. El nivel de emisión de vibración puede usarse para una evaluación preliminar de la exposición. Estos valores declarados no son adecuados para utilizar en evaluaciones de riesgos; asimismo, los valores medidos en lugares de trabajo específicos pueden ser más altos. Los valores de exposición reales y el riesgo de daño experimentados por un usuario individual son exclusivos y dependen de la forma de trabajo del usuario, la pieza de trabajo y el diseño del puesto de trabajo, así como del tiempo de exposición y del estado físico del usuario.

Nosotros, **Desoutter GmbH**, no tendremos responsabilidad alguna por las consecuencias del uso de los valores declarados en lugar de los valores reflejados en la exposición real, en una evaluación de riesgos individuales que se produzcan en una situación de trabajo sobre la que no tenemos control alguno.

Esta herramienta puede provocar el síndrome de vibración mano-brazo si no se utiliza correctamente. Puede encontrar una guía de la UE sobre cómo manejar la vibración brazo-mano accediendo a <http://www.pneurop.eu/index.php> y seleccionando "Tools" (Herramientas) y "Legislation" (Legislación).

Se recomienda mantener un programa de control sanitario de detección precoz de los síntomas relacionados con la exposición a vibraciones, con objeto de modificar los procedimientos de gestión y así evitar posibles discapacidades.

- i** Este equipo está diseñado para aplicaciones de montaje de sujeción:

La emisión de ruido se indica a modo de guía para el fabricante de la máquina. Los datos de emisiones de ruido y vibraciones de toda la máquina deberán incluirse en el manual de instrucciones de esta.

Información relacionada con el Artículo 33 en REACH

El Reglamento europeo (UE) n.º 1907/2006 relativo al registro, evaluación, autorización y restricción de las sustancias y preparados químicos (REACH) define, entre otras cosas, los requisitos relacionados con la comunicación en la cadena de suministro. El requisito de información también es aplicable a los productos que contengan las llamadas Sustancias muy preocupantes (la «Lista de candidatos»). El 27 de junio de 2018 se añadió el plomo (CAS n.º 7439921) a la Lista de candidatos.

De acuerdo con lo mencionado anteriormente, el objetivo del presente documento es informarle de que determinados componentes mecánicos en el producto pueden contener plomo. El presente documento es de conformidad con la legislación sobre restricción de sustancias actual y se basa en las exenciones legítimas en la Directiva RoHS (2011/65/UE). No se producirán fugas de plomo ni mutará a partir del producto durante el uso normal y la concentración de plomo en el producto completo se encuentra bastante por debajo del límite umbral aceptable. Tenga en cuenta los requisitos locales sobre el desecho del plomo al final de la vida útil del producto.

Requisitos regionales

⚠️ ADVERTENCIA

Este producto le puede exponer al plomo, considerado por el Estado de California como causante de cáncer y de malformaciones congénitas u otros daños reproductivos. Para más información visite

<https://www.p65warnings.ca.gov/>

Seguridad

CONSERVAR - ENTREGAR AL USUARIO

⚠️ ADVERTENCIA Lea todas las advertencias, instrucciones, ilustraciones y especificaciones de seguridad suministradas con esta herramienta motorizada.

Si no se siguen todas las instrucciones que se indican a continuación pueden producirse descargas eléctricas, incendios o graves daños personales.

Guarde todas las advertencias e instrucciones para futuras consultas.

⚠️ ADVERTENCIA Respete siempre todas las normas de seguridad relativas a la instalación, funcionamiento y mantenimiento de acuerdo a la legislación local.

Declaración de uso

- Solo para uso profesional.
- No se debe modificar ningún aspecto de este producto ni de sus accesorios.
- No utilice este producto si está dañado.
- Si los datos del producto o las señales de advertencia de peligro en el producto dejan de ser legibles o se desprenden, sustitúyalas sin demora.

- Solo personal cualificado puede instalar, operar y realizar servicios en el producto en un entorno industrial.

Uso previsto

Este producto está diseñado para la instalación y extracción de uniones roscadas en madera, metal o plástico.

Herramientas de cable y batería: Solamente para uso en interiores. No se permite ningún otro uso.

El uso de las piezas de repuesto o accesorios no originales puede producir un menoscabo del rendimiento, un aumento de las tareas de mantenimiento, del nivel acústico o de vibraciones y, como resultado, la anulación completa de la responsabilidad del fabricante.

Instrucciones específicas para el producto

Funcionamiento

Requisitos de suministro de aire

1. Suministre aire seco y limpio con una presión máxima de 90 psi (6,3 bares) a la herramienta. Una mayor presión reduce drásticamente la vida útil de la herramienta.
2. Conecte la herramienta a la línea de aire utilizando los tamaños de tubería, manguera y rácor mostrados en el *esquema 3*.

Instalación/funcionamiento

1. Conecte la herramienta como se muestra en el *esquema 3*.
2. Para poner en marcha la herramienta, tire de la palanca de seguridad (1) y empuje la palanca del acelerador (2).
3. Incremente la velocidad de la herramienta incrementando la presión en la palanca del acelerador (2). *Consulte esquema 2*.
4. Suelte la palanca del acelerador (1) y detenga la herramienta. *Consulte esquema 1*.

Posición de cabezal giratorio

Consulte esquema 4.

1. Detenga la herramienta.
2. Empuje hacia delante el manguito de bloqueo (1).
3. Cambie la posición del cabezal de herramienta arriba o abajo (2), o de vuelta a la posición normal. *Consulte Esquema 1*.
4. Empuje hacia atrás el manguito de bloqueo (1) para bloquear la posición del cabezal. *Consulte el esquema 1*

⚠️ ADVERTENCIA

- ▶ No ponga en marcha la herramienta si el cabezal de herramienta no está bloqueado.

Cambiar el sentido de rotación

Consulte esquema 5.

1. Detenga la herramienta.
2. Gire el botón de control (1) para rotar el cabezal de la herramienta en sentido horario o antihorario.

- Vuelva a poner en marcha la herramienta.

Cuando ha finalizado el trabajo

⚠ ADVERTENCIA El tiempo de parada puede ser superior a 5 segundos.

- ▶ Antes de dejar la herramienta, asegúrese de que está apagada y totalmente detenida.
- ▶ El tiempo de parada depende del abrasivo que se utilice.

Deje la herramienta con cuidado para evitar el riesgo de que se ponga en funcionamiento por sí misma.

Servicio y mantenimiento

Lubricación

Utilice un lubricador de conductos de aire con aceite SAE #10 ajustados a dos (2) gotas por minuto.

Instrucciones de mantenimiento

- **Siga las normativas medioambientales del país local para manipular y eliminar de forma segura todos los componentes.**
- Las labores de mantenimiento y reparación deberán ser realizadas por personal cualificado utilizando únicamente recambios originales. Póngase en contacto con el fabricante o con su concesionario autorizado más cercano para obtener asesoramiento sobre servicio técnico o si necesita recambios.
- Asegúrese de que la máquina esté desconectada de la fuente de energía para evitar una puesta en marcha accidental.
- Desmonte y revise la herramienta cada tres (3) meses (500 horas) si esta se utiliza a diario. Sustituya las piezas dañadas o desgastadas.
- Para evitar periodos de inactividad por avería, se recomienda la utilización del siguiente kit de servicio: **Kit de puesta a punto**

Eliminación

- Se debe cumplir la legislación del respectivo país para la eliminación de este equipo.
- Todos los dispositivos dañados, muy gastados o que funcionen incorrectamente **DEBEN DEJAR DE USARSE.**

Instrucciones generales de seguridad

Peligro en el suministro de aire y las conexiones

- El aire a presión puede causar lesiones graves.
- Siempre antes de realizar reparaciones o cambiar accesorios, apague el suministro de aire, vacíe la manguera de presión de aire y desconecte la herramienta del suministro de aire cuando no esté en uso.
- Nunca apunte la salida de aire hacia usted o hacia ninguna otra persona.
- Las mangueras de conexión pueden causar lesiones graves. Siempre debe comprobar las mangueras y los ajustes dañados o sueltos.

- No utilice en la herramientas acoplamiento de desconexión rápida. Consulte las instrucciones para realizar una instalación adecuada.
- Siempre que se utilicen acoplamiento universales de espirales, deberán instalarse pasadores de bloqueo.
- La presión de aire no puede exceder un máximo de 6,3 bar / 90 psi o según se especifique en la placa de identificación de la herramienta.

Riesgos de atrapamiento

- Manténgase apartado del mecanismo de rotación. Pueden producirse estrangulamientos, pérdidas de cabello y/o laceraciones si no se mantienen la ropa, las joyas, los collares y el pelo alejados de la herramienta y de los accesorios.
- Los guantes pueden quedar atrapados en el eje giratorio, causando heridas o roturas en los dedos.
- Los zócalos del eje giratorio y las extensiones de este pueden atrapar fácilmente los guantes recubiertos de goma o reforzados con metal.
- No utilice guantes sueltos ni guantes que dejen los dedos al aire.
- Nunca sujete el eje, el zócalo ni la extensión del eje.

Riesgos de emisión de proyectiles

- Utilice siempre protección facial y ocular resistente a impactos cuando esté en contacto o próximo al funcionamiento, reparación o mantenimiento de la herramienta o al cambio de accesorios de la misma.
- Asegúrese de que las otras personas que se encuentran en el área de trabajo también utilizan protección facial y ocular resistente de impactos. Incluso los proyectiles de tamaño reducido pueden producir daños oculares y ceguera.
- Pueden producirse lesiones personales graves si los tornillos se aprietan demasiado o demasiado poco, ya que pueden romperse, o alojarse y separarse. Los montajes que se suelten disparados pueden convertirse en proyectiles. Los montajes que precisen un par específico deben comprobarse utilizando un medidor de par.

NOTA Las llaves dinamométricas llamadas de “clic” no comprueban las condiciones de sobrepar potencialmente peligrosas.

- Nunca ponga en funcionamiento una herramienta si no está trabajando con ella. Es posible que se acelere y que el accesorio salga despedido de la herramienta.
- Asegúrese de que la pieza de trabajo esté bien sujeta.

Peligros del accesorio

- Utilice sólo retenedores de accesorios adecuados (consulte la lista de componentes). Siempre que sea posible utilice un casquillo profundo.
- En el caso de las herramientas que utilizan un sistema de retención de boca con junta tórica y pasador, utilice la junta para retener firmemente el pasador de la boca.
- Use sólo boquillas de llave de impacto y accesorios en buenas condiciones de servicio. Las bocas en malas condiciones o las bocas y accesorios manuales utilizados con las llaves de impacto se pueden partir y convertirse en proyectiles.

- Utilice siempre el acoplamiento más sencillo posible. Las barras y adaptadores de extensión largos y sueltos absorben la potencia del impacto y pueden romperse. Siempre que sea posible utilice un casquillo profundo.
- No toque las bocas ni los accesorios durante la operación, dado que esto incrementa el riesgo de cortes, quemaduras o lesiones por las vibraciones.

Riesgos derivados del uso

- Los operarios y el personal de mantenimiento deben estar físicamente capacitados para manejar el volumen, peso y potencia de la herramienta.
- Sostenga la herramienta correctamente. Esté preparado para contrarrestar los movimientos normales o repentinos utilizando las dos manos.
- No usar con una presión de aire reducida o en condición desgastada: el embrague no funcionará, resultando en la brusca rotación del mango de la máquina.
- Mantenga el control del regulador en todo momento. No se quede atrapado entre la herramienta y el trabajo.

Riesgos derivados por movimientos repetitivos

- Cuando se utiliza una herramienta mecánica para actividades de trabajo, el operario puede experimentar molestias en las manos, brazos, hombros, cuellos u otras partes del cuerpo.
- Adopte una postura cómoda mientras mantiene una posición firme evitando posturas extrañas o desequilibradas. Cambiar de postura durante las tareas prolongadas puede ayudar a evitar las molestias y la fatiga.
- No ignore síntomas como las molestias persistentes o recurrentes, el dolor, dolores punzantes, hormigueos, adormecimientos, sensación de quemazón o rigidez. Deje de utilizar la herramienta, informe a su superior y consulte a un médico.

Riesgos derivados del ruido y la vibración

- Los niveles sonoros elevados pueden provocar pérdida de oído permanente y otros problemas como el tinnitus. Utilice protección para los oídos siguiendo las recomendaciones de su empresa o de las normas de seguridad y salud ocupacional.
- La exposición a la vibración puede causar daños en los nervios y el suministro sanguíneo en manos y brazos. Utilice ropa de abrigo y mantenga las manos calientes y secas. Si siente adormecimiento, cosquilleo, dolor o palidez en la piel, deje de usar la herramienta, informe a su superior y consulte a un médico.
- Sujete la herramienta de forma ligera pero segura ya que el riesgo de vibraciones es normalmente superior cuando aumenta la fuerza de sujeción.
- Si es posible, utilice un brazo de suspensión o instale una empuñadura lateral.
- Seleccione, mantenga y sustituya los accesorios y consumibles/la herramienta insertada de acuerdo con el manual de instrucciones para evitar cualquier incremento innecesario de los niveles de vibración.
- No utilice puntas de destornillador, bocas o extensiones desgastadas o que ajusten incorrectamente, dado que es probable que cause un incremento significativo de la vibración.

Riesgos en el lugar de trabajo

- Resbalones, tropiezos y caídas son las causas más frecuentes de lesiones graves o muerte. Preste atención a las mangueras que se encuentren en el suelo o en la superficie de trabajo.
- Evite la inhalación de polvo y humo y la manipulación de residuos producidos en el proceso de trabajo, ya que pueden provocar enfermedades (tales como cáncer, alteraciones en el feto, asma o dermatitis). Utilice un extractor de polvo y un equipo de protección respiratorio cuando vaya a trabajar con materiales que generen partículas que se desplazan por el aire.
- Las operaciones de lijar, aserruchar, esmerilar, taladrar y otras actividades de construcción producen polvo que podría contener productos químicos que se ha demostrado en el Estado de California que causan cáncer, defectos de nacimiento u otros daños reproductivos. Algunos ejemplos de estos productos químicos son los siguientes:
 - Plomo de las pinturas con base de plomo
 - Cemento y ladrillos de sílice cristalina y otros productos de mampostería
 - Arsénico y cromo provenientes de madera químicamente tratada.

El riesgo de exposición varía de acuerdo con la frecuencia que usted realice este tipo de trabajo. Para reducir su exposición a estos productos químicos: trabaje en una área bien ventilada y con equipo de seguridad apropiado, tal como máscaras contra el polvo especialmente diseñadas para filtrar las partículas microscópicas.

- Trabajar con cuidado en lugares desconocidos. Tenga en cuenta los peligros potenciales creados por su actividad de trabajo. Esta herramienta no está aislada para el contacto con fuentes de alimentación eléctrica.
- Esta herramienta no está diseñada para utilizarse en ambientes explosivos ni lleva aislamiento especial contra contactos con fuentes de comente eléctrica.

ⓘ Información sobre seguridad adicional relacionada con las herramientas neumáticas portátiles:

- CAGI 2528 - B186.1, SAFETY CODE FOR PORTABLE AIR TOOLS, disponible en Global Engineering Documents en <https://global.ihs.com/> o llame al número +1 800 447-2273. En su defecto, para obtener una copia de las normas ANSI, contactar a ANSI en <https://www.ansi.org/>

Información de utilidad

País de origen

Taiwan

Sitio de Internet

Puede encontrar información relacionada con nuestros productos, accesorios, piezas de repuesto y material impreso en el sitio web Rodcraft.

Visite: www.rodcraft.com.

Ficha de seguridad

Las fichas de seguridad describen los productos químicos vendidos por Rodcraft.

Consulte el sitio web Rodcraft para más información qr.cp.com/sds.

Copyright

© Copyright 2023, Desoutter GmbH, Edmund-Seng-Str. 3-5, 63477 Maintal, Germany

Todos los derechos reservados. Queda prohibido el uso autorizado o la copia total o parcial del presente contenido. En particular, esta prohibición se aplica a las marcas comerciales, las denominaciones de los modelos, los números de referencia y los gráficos. Utilice sólo piezas autorizadas. Cualquier daño o avería causada por el uso de piezas no autorizadas quedará excluido de la Garantía o la Responsabilidad de producto.

Declarações

Declaração de Conformidade da União Europeia

Nós da **Desoutter GmbH**, Edmund-Seng-Str. 3-5, 63477 Maintal, Germany declaramos, sob nossa exclusiva responsabilidade, que este produto (com nome, tipo e número de série (ver a primeira página) está em conformidade com a(s) seguinte(s) Diretiva(s):

2006/42/EC (17/05/2006)

Normas harmonizadas aplicadas:
EN 11148-6:2013

As autoridades podem solicitar informações técnicas pertinentes de:

Pascal Roussy, R&D Manager, Ets Georges Renault, 38 rue Bobby Sands, BP10273 44818 Saint Herblain, France

Saint-Herblain, 2023/02/07

Pascal ROUSSY



Assinatura

Declaração sobre Ruído & Vibração

- Nível de pressão sonora 84.8 dB(A), incerteza 3 dB(A), de acordo com ISO 15744.
- Nível de pressão sonora 95.8 dB(A), incerteza 3 dB(A), de acordo com ISO 15744.
- Valor total da vibração 13.08 m/s², incerteza 1.63 m/s², de acordo com a ISO-28927-2.

Esses valores declarados foram obtidos por testes de laboratório de acordo com as normas citadas e são adequados para comparação com os valores declarados para outras ferramentas testadas de acordo com as mesmas normas. O nível de emissão da vibração pode ser usado como uma avaliação preliminar da exposição. Esses valores declarados não são adequados para uso em avaliações de risco e os valores medidos em locais de trabalho individuais podem ser maiores. Os valores reais de exposição e risco de danos experimentados por um usuário individual são únicos e dependem da forma como

o usuário trabalha, da peça trabalhada e do design da estação de trabalho, bem como do tempo de exposição e da condição física do usuário.

Nós da **Desoutter GmbH** não somos responsáveis pelas consequências do uso dos valores declarados ao invés dos valores refletindo a exposição real, em uma avaliação individual de risco, em uma situação de local de trabalho sobre a qual não temos controle.

Esta ferramenta pode causar síndrome de vibração na mão e no braço se seu uso não for administrado corretamente. Um guia da UE para gerenciar as vibrações transmitidas à mão/braço pode ser encontrado acessando <http://www.pneurop.eu/index.php> e selecionando "Tools" ("Ferramentas") e, em seguida, "Legislation" ("Legislação").

Recomendamos um programa de vigilância médica para detectar, em tempo hábil, sintomas que possam estar relacionados com a exposição a vibrações ou ruídos, para que os procedimentos de manuseio possam ser modificados, de forma a ajudar a evitar lesões futuras.

- i** Este equipamento é destinado a aplicações fixas. A emissão de ruídos é dada como um guia para o construtor da máquina. Dados sobre emissão de vibração e ruído da máquina completa devem ser indicados no Manual de Instruções da máquina.

Informações a respeito do Artigo 33 do REACH

O Regulamento Europeu (UE) nº 1907/2006, sobre Registros, Avaliação, Autorização e Restrição de Produtos Químicos (REACH), define, entre outras coisas, os requisitos relacionados à comunicação na cadeia de suprimentos. O requisito das informações aplica-se também a produtos que contêm as chamadas Substâncias de Preocupação Muito Elevada (a "Lista de Candidatos"). No dia 27 de junho de 2018 foi acrescentado à Lista de Candidatos o metal chumbo (CAS nº 7439-92-1).

Conforme o que foi dito acima, o objetivo do presente documento é informar que determinados componentes mecânicos do produto podem conter o metal chumbo. Isto está em conformidade com a legislação atual de restrição de substâncias e baseia-se em exceções legítimas da Diretiva RoHS (2011/65/UE). Não ocorre vazamento ou mutação do chumbo a partir do produto durante uso normal e a concentração do metal chumbo no produto completo fica bem abaixo do limite aplicável. Também deve-se levar em conta os requisitos locais relacionados ao descarte de chumbo no final da vida útil do produto.

Requisitos regionais

A AVISO

Este produto pode expor você a produtos químicos, entre eles o chumbo, conhecido no Estado da Califórnia por causar câncer e defeitos em recém-nascidos, além de outros danos à reprodução. Para mais informações, visite

<https://www.p65warnings.ca.gov/>

Segurança

NÃO DESCARTE - ENTREGUE AO USUÁRIO

⚠️ AVISO Leia todos os avisos de segurança, instruções, ilustrações e especificações fornecidas com a ferramenta elétrica.

O não cumprimento de todas as instruções apresentadas abaixo poderá resultar em choque elétrico, incêndio e/ou lesões graves.

Guarde todos os alertas e instruções para referência futura.

⚠️ AVISO Todas as normas de segurança localmente legisladas relativas a instalação, operação e manutenção devem ser sempre respeitadas.

Declaração de Uso

- Apenas para uso profissional.
- Este produto e seus acessórios não devem ser modificados em qualquer circunstância.
- Não utilize o produto se estiver danificado.
- Se os dados do produto ou as sinalizações de perigo na ferramenta deixarem de ser legíveis ou se soltarem, substitua o produto sem demora.
- Somente uma pessoa qualificada em ambiente de montagem industrial pode instalar, operar ou dar manutenção de rotina no produto.

Finalidade

Este produto foi projetado para instalar e remover fixadores de rosca em madeira, metal ou plástico.

Ferramentas de cabo e bateria: Apenas para uso interno. Não é permitido nenhum outro tipo de uso.

O uso de peças de reposição ou acessórios diferentes dos fornecidos originalmente pelo fabricante pode resultar na queda de desempenho e no aumento de manutenção, nível de ruído ou de vibração, o que pode acarretar o cancelamento total da garantia do fabricante.

Instruções específicas do produto

Operação

Requisitos do Suprimento de Ar

1. Forneça ar limpo e seco com pressão máxima de 90 psig (6,3 bares) à ferramenta. Pressões mais altas reduzem drasticamente a vida útil da ferramenta.
2. Conecte a ferramenta à linha de ar comprimido utilizando os tamanhos de tubo, mangueira e conexões mostrados no diagrama *Esquema 3*.

Instalação/Operação

1. Conecte a ferramenta conforme mostrado no *Esquema 3*.
2. Para dar partida na ferramenta, puxe a alavanca de segurança (1) e empurre a alavanca de regulagem (2).

3. Aumente a velocidade da ferramenta aumentando a pressão na alavanca de regulagem (2). *Consulte o Esquema 2*.
4. Libere alavanca de regulagem (1) para parar a ferramenta. *Consulte o Esquema 1*.

Posição da Cabeça de Giro

Consulte o Esquema 4

1. Pare a ferramenta.
2. Empurre para frente a manga de segurança (1).
3. Altere a posição da cabeça da ferramenta para cima ou para baixo (2), ou de volta à posição normal. *Consulte o Esquema 1*.
4. Empurre para trás a manga de segurança (1) para travar a cabeça na posição. *Consulte o Esquema 1*

⚠️ AVISO

- ▶ Não dê partida na ferramenta, se a cabeça da ferramenta não estiver travada.

Alterando o Sentido da Rotação

Consulte o Esquema 5

1. Pare a ferramenta.
2. Gire o botão (1) para girar a cabeça da ferramenta no sentido horário ou anti-horário.
3. Dê partida na ferramenta novamente.

Após o trabalho ser concluído

⚠️ AVISO O tempo de parada pode ser maior que 5 segundos.

- ▶ Verifique se a ferramenta está desligada e se parou completamente antes de descê-la.
- ▶ O momento de parada dependerá do rebolo utilizado.

Assente a ferramenta com cuidado para que ela não parta inadvertidamente.

Manutenções de Rotina e Manutenções Corretivas

Lubrificação

Utilize um lubrificador de linha de ar com óleo SAE #10, ajustado para 2 (duas) gotas por minuto.

Instruções de manutenção

- **Siga as regulamentações ambientais do país local para manusear e descartar com segurança todos os componentes.**
- O trabalho de manutenção e reparos deve ser realizado por pessoal qualificado, utilizando apenas peças de reposição originais. Fale com o fabricante ou o seu revendedor autorizado mais próximo para obter orientações sobre a assistência técnica ou se precisar de peças de reposição.
- A máquina deve sempre estar desconectada da fonte de energia para evitar que funcione acidentalmente.

- Desmonte e inspecione a ferramenta a cada três meses (500 horas) se a ferramenta for usada diariamente. Substitua peças danificadas ou desgastadas.
- Para reduzir o tempo de inatividade ao mínimo, recomenda-se o seguinte kit de manutenção: **Kit de regulação**

Descarte

- A legislação do respectivo país deve ser seguida ao descartar o equipamento,
- Todos os dispositivos danificados, **MUITO** gastos e em mau estado de funcionamento **DEVEM SER RETIRADOS DE FUNCIONAMENTO.**

Instruções gerais de segurança

Perigos relacionados a conexão e suprimento de ar

- Ar pressurizado pode causar lesões graves.
- Feche sempre o fornecimento de ar, alivie a pressão da mangueira e desconecte a ferramenta da tomada de ar quando não estiver em uso, antes de alterar os acessórios ou fazer reparos.
- Nunca dirija o ar para si mesmo ou outra pessoa.
- Mangueiras chicoteando podem causar lesões graves. Verifique sempre se existem mangueiras e conexões danificadas ou soltas.
- Não use conexões de desengate rápido na ferramenta. Consulte a configuração correta nas instruções.
- Sempre que usar acoplamentos de giro universal, instale contrapinos.
- Não exceda a pressão do ar máxima de 6,3 bar / 90 psi, ou como definido na placa de identificação da ferramenta.

Riscos de emaranhar-se

- Mantenha-se afastado da propulsão rotativa. Sufocamento, escarpelamento e/ou laceração podem ocorrer se roupas soltas, luvas, joias, colares ou cabelo não forem mantidos longe de ferramentas e acessórios.
- As luvas podem se emaranhar com o mecanismo de direção rotativo, podendo ferir ou quebrar os dedos.
- Soquetes do mecanismo de propulsão rotativo e a extensão da propulsão podem facilmente emaranhar luvas revestidas de borracha ou reforçadas com metal.
- Não use luvas de montagem frouxas ou luvas com cortes ou com os dedos gastos.
- Nunca segure a direção, soquete ou extensão da direção.

Perigos relacionados à projeção de materiais em alta velocidade

- Sempre use proteção para os olhos e o rosto quando se envolver ou trabalhar perto da ferramenta em operação, reparo ou manutenção ou durante uma troca de acessórios.
- Certifique-se de que todas as outras pessoas no local estão usando proteção resistente a impactos para os olhos e o rosto. Mesmo pequenos fragmentos podem atingir os olhos e causar cegueira.

- Ferimentos sérios podem resultar de um dispositivo de fixação com torque excessivo ou abaixo do necessário, que pode se quebrar ou afrouxar e se desprender. Conjuntos soltos podem se tornar fragmentos e serem projetados. Use um torquímetro para conferir as montagens que exigam torque específico.

OBSERVAÇÃO Os chamados torquímetro de estalo não verificam condições de torque excessivo potencialmente perigosas.

- Nunca opere a ferramenta fora do local de trabalho. Ela poderá começar a funcionar muito rapidamente e fazer com que o acessório se desprenda.
- Garanta que a peça a ser trabalhada esteja fixada de forma segura.

Riscos com o acessório

- Use somente retentores de acessório apropriados (consulte a lista de peças). Use soquetes profundos sempre que possível.
- Para as ferramentas usando o sistema de retenção de soquete O-ring e pino, use o O-ring para segurar firmemente o pino do soquete.
- Use somente soquetes e acessórios de chaves classificadas de impacto em boas condições. Os soquetes em mau estado, ou soquetes e acessórios manuais utilizados com chaves de impacto podem estilhaçar, tornando-se um perigo de projétil
- Use sempre o acoplamento mais simples possível. Barras e adaptadores de extensão longos e soltos absorvem potência de impacto e podem quebrar. Use soquetes profundos sempre que possível.
- Não toque nos soquetes ou acessórios durante a operação, pois isso aumenta o risco de cortes, queimaduras ou lesões por vibração.

Perigos na operação

- Os utilizadores e técnicos de manutenção devem ser fisicamente capazes de lidar com o volume, peso e potência da ferramenta.
- Segure a ferramenta corretamente: esteja pronto para reagir a movimentos súbitos ou mesmo aos normais – tenha as duas mãos disponíveis.
- Não use com pressão de ar reduzida ou em condição de desgaste: a embreagem poderá não funcionar, resultando em rotação súbita do cabo da ferramenta.
- Mantenha sempre o controle da alavanca. Não se prenda entre a ferramenta e o trabalho.

Perigos do movimento repetitivo

- Quando usar uma ferramenta elétrica para executar atividades relacionadas ao trabalho, o operador pode sentir desconforto nas mãos, braços, ombros, pescoço ou outras partes do corpo.
- Adote uma postura confortável enquanto mantém uma posição equilibrada sobre os pés, evitando posturas inadequadas ou sem equilíbrio. Mudar a postura durante tarefas prolongadas pode ajudar a evitar desconforto e fadiga.

- Não ignore os sintomas, como desconforto periódico e persistente, dor, palpitações, sensibilidade, formigamento, dormência, sensação de queimação ou rigidez. Pare de usar a ferramenta, informe seu empregador e consulte um médico.

Riscos de vibrações e ruído

- Níveis sonoros muito altos podem causar perda auditiva permanente e outros problemas, como zumbido. Use a proteção auditiva recomendada pelo empregador e de acordo com os regulamentos de saúde e segurança do trabalho.
- A exposição a vibrações pode danificar e incapacitar os nervos e o suprimento de sangue para as mãos e braços. Use roupas quentes e mantenha as mãos aquecidas e secas. Se perceber dormência, formigamento, dor ou lividez da pele, pare de usar a ferramenta, informe seu empregador e consulte um médico.
- Segure a ferramenta de modo leve, porém firme, devido ao risco de vibrações ser geralmente maior quando a força da pegada é maior.
- Onde for possível, utilize um braço de suspensão ou encaixe uma alça lateral.
- Selecione, mantenha e substitua os acessórios e consumíveis/ferramenta inserida, de acordo com o manual de instruções, para evitar aumento desnecessário nos níveis de vibração.
- Não utilize pontas de chave de fenda, soquetes ou extensões desgastadas ou inadequadas, pois isso pode provocar um aumento substancial na vibração.

Perigos no local de trabalho

- Escorregões, tropeções e quedas são as principais causas de lesões graves ou morte. Não deixe excesso de mangueira nas vias de acesso ou no local de trabalho.
- Evite inalar poeira ou fumaça, ou manusear detritos do processo de trabalho que podem causar problemas de saúde (por exemplo, câncer, defeitos de nascença, asma e/ou dermatite). Use equipamento extrator de poeira e equipamento de proteção respiratória quando trabalhar com materiais que produzam partículas em suspensão no ar.
- Certas poeiras criadas pelo jateamento, serração, esmerilhamento, perfuração e outras atividades mecanizadas de construção podem conter componentes químicos que o Estado da Califórnia reconhece como causadores de câncer, defeitos de nascença e outros prejuízos ao sistema reprodutor humano. Alguns exemplos desses componentes químicos são:
 - Chumbo de tinta à base de chumbo
 - Tijolos de sílica cristalina, cimento e outros produtos de alvenaria
 - Arsênico e cromo da borracha tratada quimicamente.

Seu risco a essas exposições varia, dependendo da frequência que você realiza esse tipo de trabalho. Para reduzir sua exposição a esses componentes químicos: trabalhe em área bem ventilada e use equipamentos de proteção apropriados, como máscaras contra poeira que sejam especificamente indicadas para partículas microscópicas.

- Proceda com cuidado em ambientes desconhecidos. Conheça os perigos potenciais criados por sua atividade de trabalho. Esta ferramenta não é protegida contra o contato com fontes de eletricidade.
- Não se recomenda o uso desta ferramenta em atmosferas potencialmente explosivas.

i Outras informações de segurança sobre ferramentas pneumáticas portáteis:

- CAGI 2528 - B186.1, SAFETY CODE FOR PORTABLE AIR TOOLS, disponível na Global Engineering Documents no site <https://global.ihs.com/> ou ligue para +1 800 447-2273. No caso de dificuldade na obtenção de normas ANSI, entre em contato com o instituto ANSI pelo site <https://www.ansi.org/>

Informações úteis

País de origem

Taiwan

Website

Informações referentes a nossos Produtos, Acessórios, Peças de Reposição e Materiais Publicados podem ser encontrados no site da Rodcraft .

Visite: www.rodcraft.com.

Folha de Dados de Segurança

As Fichas de Informação de Segurança de Produto Químico descrevem os produtos químicos produzidos pela Rodcraft.

Consulte o site da Rodcraft para obter mais informações qr.cp.com/sds.

Copyright

© Copyright 2023, Desoutter GmbH, Edmund-Seng-Str. 3-5, 63477 Maintal, Germany

Todos os direitos reservados. É proibido o uso ou cópia do conteúdo ou parte dele sem autorização. Isso se aplica em particular a marcas registradas, denominações de modelo, números de peça e desenhos. Use somente peças autorizadas. Qualquer dano ou defeito causado pelo uso de peças não autorizadas não é coberto pela Garantia ou pela Responsabilidade pelo Produto.

Dichiarazioni

Dichiarazione di conformità UE

Desoutter GmbH, Edmund-Seng-Str. 3-5, 63477 Maintal, Germany, dichiara, sotto la propria esclusiva responsabilità, che il prodotto (del tipo e con il numero di serie riportati nella pagina a fronte) è conforme alle seguenti direttive:

2006/42/EC (17/05/2006)

Norme armonizzate applicate:

EN 11148-6:2013



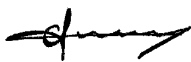
Le autorità possono richiedere informazioni tecniche pertinenti a:

Pascal Roussy, R&D Manager, Ets Georges Renault, 38 rue Bobby Sands, BP10273 44818 Saint Herblain, France

Saint-Herblain, 2023/02/07

Pascal ROUSSY

Firma



Dichiarazione su vibrazioni e rumorosità

- Livello di pressione sonora 84.8 dB(A), incertezza 3 dB(A), secondo ISO 15744.
- Livello di pressione sonora 95.8 dB(A), incertezza 3 dB(A), secondo ISO 15744.
- Valore totale vibrazioni 13.08m/s², incertezza 1.63 m/s², secondo ISO-28927-2.

Tali valori dichiarati sono ottenuti tramite test di laboratorio in conformità agli standard dichiarati e sono idonei al confronto con i valori dichiarati di altri utensili testati in conformità agli stessi standard. Il livello di emissione delle vibrazioni potrebbe essere usato per la valutazione preliminare dell'esposizione. Tali valori dichiarati non sono adeguati all'uso nelle valutazioni di rischio e i valori misurati in luoghi di lavoro individuali potrebbero essere più elevati. I valori di esposizione reali e il rischio di danni causati a un utente singolo sono specifici e dipendenti dal modo in cui l'utente lavora, dal pezzo e dal design del luogo di lavoro, oltre che dal tempo di esposizione e dalla condizione fisica dell'utente.

Desoutter GmbH non può essere ritenuta responsabile per le conseguenze derivanti dall'utilizzo dei valori dichiarati, al posto di quelli relativi all'esposizione effettiva, in una valutazione del rischio relativa a uno scenario lavorativo su cui la nostra azienda non detiene alcun controllo.

Se non è gestito correttamente, l'utilizzo del presente utensile può causare la sindrome da vibrazioni mano-braccio. Per consultare una guida UE sulle vibrazioni trasmesse a mani/braccia, accedere al sito <http://www.pneurop.eu/index.php> e selezionare "Strumenti" quindi "Normative".

Consigliamo di usare un programma di controllo sanitario atto a individuare i primi sintomi di un'eventuale esposizione alle vibrazioni, in modo da modificare le procedure di gestione e prevenire le disabilità gravi.

i Se questa apparecchiatura è destinata ad applicazioni di fissaggio:

Le emissioni acustiche sono riportate come guida per il costruttore. I dati sulle emissioni acustiche e vibratorie per la macchina completa devono essere riportati nel manuale di istruzioni per la macchina.

Informazioni sull'articolo 33 del REACH

Il Regolamento europeo (UE) n. 1907/2006 sulla registrazione, valutazione, autorizzazione e restrizione delle sostanze chimiche (REACH) definisce, tra le altre cose, i requisiti relativi alla comunicazione nella catena di approvvigionamento. L'obbligo di informazione vale anche per i prodotti contenenti le cosiddette sostanze estremamente prob-

lematiche ("elenco delle sostanze candidate"). Il 27 giugno 2018, il piombo metallico (numero CAS 7439921) è stato aggiunto all'elenco delle sostanze candidate.

In conformità a quanto indicato sopra, determinati componenti meccanici del prodotto potrebbero contenere piombo metallico. Ciò è in conformità con la legislazione vigente in materia di restrizione delle sostanze e con le esenzioni legittime nella direttiva RoHS (2011/65/UE). Il piombo non colerà dal prodotto o si modificherà durante il normale utilizzo. La concentrazione di piombo nel prodotto completo è inferiore al limite di soglia applicabile. Valuta i requisiti locali sullo smaltimento del piombo al termine del ciclo di vita del prodotto.

Requisiti regionali

ATTENZIONE

Questo prodotto può causare esposizione a sostanze chimiche tra cui il piombo, note allo stato della California come causa di tumori e difetti congeniti o altri problemi riproduttivi. Per maggiori informazioni consultare <https://www.p65warnings.ca.gov/>

Sicurezza

NON SMALTIRE: DA CONSEGNARE ALL'UTENTE

ATTENZIONE Leggere tutti gli avvisi e le istruzioni di sicurezza unitamente alle illustrazioni e alle specifiche tecniche di questo utensile elettrico.

Il mancato rispetto delle seguenti istruzioni può causare scosse elettriche, incendi e/o gravi lesioni.

Conservare tutti gli avvisi e le istruzioni per consultarli eventualmente in futuro.

ATTENZIONE Rispettare sempre le norme ed i regolamenti locali inerenti l'installazione, il funzionamento e la manutenzione.

Dichiarazione sull'utilizzo

- Destinato solo a un utilizzo professionale.
- Questo utensile e i suoi accessori non devono mai essere modificati.
- Non utilizzare questo prodotto se è stato danneggiato.
- Se le targhette indicanti i dati del prodotto o i segnali di pericolo del prodotto diventano illeggibili o si staccano, sostituirli immediatamente.
- Il prodotto deve essere installato, utilizzato e mantenuto solo da personale qualificato e in un ambiente di assemblaggio industriale.

Uso previsto

Questo prodotto è progettato per installare e rimuovere dispositivi di fissaggio in legno, metallo o plastica.

Strumenti per cavi e batterie: Solo per uso interno. Non sono ammessi altri usi.

L'utilizzo di ricambi non originali e diversi da quelli forniti dal produttore potrebbe influenzare negativamente le prestazioni, richiedere una manutenzione extra, causare incrementi delle vibrazioni e invalidare la garanzia e delle responsabilità del produttore.

Istruzioni specifiche del prodotto

Funzionamento

Requisiti di alimentazione dell'aria

1. Fornire all'utensile aria pulita e secca con pressione massima di 6,3 bar (90 psi). Una pressione più elevata ridurrà drasticamente la durata dell'utensile.
2. Collegare l'utensile alla linea dell'aria utilizzando tubi, flessibili e raccordi delle dimensioni indicate nello *schema 3*.

Installazione / funzionamento

1. Collegare l'utensile secondo quanto indicato nello *schema 3*.
2. Per avviare l'utensile, tirare la leva di sicurezza (1) e spingere la leva dell'acceleratore (2).
3. Aumentare la velocità dell'utensile incrementando la pressione sulla leva dell'acceleratore (2). *Fare riferimento allo schema 2*.
4. Rilasciare la leva dell'acceleratore (1) per arrestare l'utensile. *Fare riferimento allo schema 1*.

Posizione di rotazione della testa

Fare riferimento allo schema 4

1. Arrestare l'utensile.
2. Spingere in avanti il manicotto di bloccaggio (1).
3. Modificare la posizione della testa dell'utensile verso l'alto o il basso (2) o riportarla alla posizione normale. *Fare riferimento allo schema 1*
4. Spingere indietro il manicotto di bloccaggio (1) per bloccare la posizione della testa. *Fare riferimento allo schema 1*

ATTENZIONE

- Non utilizzare l'utensile se la testa non è bloccata.

Modifica del senso di rotazione

Fare riferimento allo schema 5

1. Arrestare l'utensile.
2. Ruotare la manopola (1) per far girare la testa dell'utensile in senso orario o antiorario.
3. Avviare nuovamente l'utensile.

Dopo il completamento del lavoro

ATTENZIONE Il tempo di arresto potrebbe essere superiore a 5 secondi.

- Verificare che l'utensile sia scollegato e che sia completamente fermo prima di riporlo.
- Il tempo di arresto dipende dall'abrasivo utilizzato.

Posare l'utensile con cautela in modo che non si avvii da solo.

Assistenza e manutenzione

Lubrificazione

Utilizzare un lubrificatore per linea d'aria SAE #10 con olio, regolato su due (2) gocce al minuto.

Istruzioni per la manutenzione

- **Attenersi alle norme ambientali del Paese in cui si svolge il lavoro per la gestione e lo smaltimento sicuro di tutti i componenti.**
- Far eseguire i lavori di manutenzione e riparazione al personale qualificato e utilizzando solo ricambi originali. Contattare il produttore o rivenditore autorizzato più vicino per una consulenza sull'assistenza tecnica o in caso di necessità di parti di ricambio.
- Assicurarsi sempre che la macchina sia scollegata dall'alimentazione per evitare l'azionamento accidentale.
- Smontare e ispezionare l'utensile ogni 3 mesi (500 ore) se viene usato quotidianamente. Sostituire le parti danneggiate o usurate.
- Per ridurre al minimo i tempi di fermo, si consiglia il seguente kit di servizio: **Kit di messa a punto**

Smaltimento

- Attenersi alla legislazione nazionale per lo smaltimento di questa apparecchiatura.
- Tutti i dispositivi danneggiati, gravemente usurati o che funzionano in modo irregolare **DEVONO ESSERE MESSI FUORI SERVIZIO.**

Norme di sicurezza generali

Pericoli legati all'alimentazione e al collegamento pneumatico

- L'aria sotto pressione può causare gravi lesioni.
- Chiudere sempre l'alimentazione pneumatica, scaricare il tubo flessibile e l'utensile dall'alimentazione pneumatica in caso di inutilizzo, prima di cambiare gli accessori o effettuare riparazioni.
- Non dirigere mai il getto d'aria verso sé stessi o altre persone.
- Il colpo di frusta dei tubi flessibili può causare gravi lesioni. Controllare che non siano presenti tubi flessibili e raccordi danneggiati o allentati.
- Non utilizzare raccordi ad aggancio rapido sull'utensile. Consultare le istruzioni per una corretta configurazione.
- Quando si utilizzano raccordi a baionetta universali, inserire le spine di sicurezza.
- Non superare il limite massimo di 6,3 bar (90 psig) di pressione dell'aria o il valore indicato sulla targhetta dell'utensile.

Rischi causati dal rimanere impigliati

- Tenersi lontano dal comando rotante. Se indumenti larghi, guanti, gioielli e collane non sono tenuti a distanza dall'utensile e dagli accessori, si può rischiare il soffocamento e/o lacerazioni, anche al cuoio capelluto se i capelli restano impigliati.
- I guanti possono restare impigliati nel meccanismo di rotazione, causando l'amputazione o la frattura delle dita.
- Le bussole rotanti e le relative prolunghe possono facilmente intrappolare guanti con rivestimento in gomma o guanti rinforzati con metallo.
- Non indossare guanti larghi o guanti tagliati o logori.
- Non afferrare mai il meccanismo di rotazione, la bussola o la prolunga.

Rischi relativi agli oggetti scagliati con forza

- Indossare sempre protezioni antiurto per gli occhi e per il volto quando si lavora con l'utensile o in prossimità di esso per operazioni di manutenzione, funzionamento o riparazione o per la sostituzione di accessori.
- Verificare che le altre persone nella zona stiano indossando protezioni antiurto per occhi e volto. Anche oggetti proiettati di piccole dimensioni possono causare infortuni agli occhi o addirittura cecità.
- I dispositivi di fissaggio a coppia eccessiva o scarsa possono causare gravi lesioni ed essere soggetti a rottura, allentamento o separazione. Le parti staccate possono diventare proiettili. Gli assemblaggi che richiedono una determinata coppia devono essere verificati utilizzando un misuratore di coppia.

NOTA Le cosiddette chiavi torsionometriche a scatto non sono in grado di controllare condizioni di coppia eccessiva potenzialmente pericolose.

- Non fare un uso improprio dell'utensile. Potrebbe funzionare troppo velocemente e far fuoriuscire gli accessori.
- Verificare che il pezzo di lavoro sia fissato saldamente.

Pericoli dovuti agli accessori

- Utilizzare solamente fermi adeguati per gli accessori (vedere la lista dei pezzi di ricambio). Utilizzare bussole profonde quando è possibile.
- Per gli utensili che impiegano il sistema di ritegno della bussola a perno e anello toroidale, utilizzare l'anello toroidale per trattenere saldamente il perno della bussola.
- Utilizzare solo bussole adatte alla chiave ad impulsi e accessori in buone condizioni. Le bussole in cattive condizioni, le bussole manuali e gli accessori utilizzati con le chiavi ad impulsi potrebbero rompersi, diventando una sorta di proiettile.
- Utilizzare sempre accessori semplici. Le barre di estensione e gli adattatori lunghi ed elastici assorbono forza d'urto e possono rompersi. Utilizzare bussole profonde quando è possibile.
- Non toccare le bussole o gli accessori durante il funzionamento, poiché aumenterebbe il rischio di tagli, ustioni o lesioni da vibrazioni.

Rischi connessi all'utilizzo

- Gli operatori e gli addetti alla manutenzione devono essere fisicamente in grado di maneggiare la mole, il peso e la potenza erogata dall'utensile.
- Sostenere l'utensile nel modo corretto: usare una presa con entrambe le mani per contrastare i movimenti normali o improvvisi.
- Non utilizzare con pressione d'aria ridotta o quando l'attrezzo è in condizioni di usura: la frizione potrebbe non funzionare e dare origine a un'improvvisa rotazione dell'impugnatura dell'utensile.
- Mantenere sempre il controllo della valvola di regolazione. Evitare di restare intrappolati tra l'utensile e il lavoro in corso di esecuzione.

Rischi connessi ai movimenti ripetitivi

- Durante l'utilizzo degli utensili elettrici per le attività lavorative, l'operatore può subire dolore alle mani, agli arti superiori, alle spalle, collo o in altre parti del corpo.
- Adottare una postura comoda mantenendo un appoggio sicuro sui piedi ed evitando le posizioni scomode o sbilanciate. Durante le lavorazioni prolungate, consigliamo di cambiare posizione per evitare l'affaticamento.
- Non ignorare sintomi persistenti e ricorrenti come ad esempio scomodità, dolore, fitte, indolenzimento muscolare, formicolio, intorpidimento, bruciore o rigidità. Interrompere l'utilizzo dell'utensile, informare il datore di lavoro e rivolgersi a un medico.

Rischi relativi alle emissioni acustiche e vibratorie

- Eccessivi livelli acustici possono causare perdite di udito permanenti e malattie come il tinnito auricolare. Utilizzare le protezioni acustiche consigliate dal datore di lavoro o imposte dalle norme di salute e sicurezza sul lavoro.
- L'esposizione alle vibrazioni può danneggiare i nervi e ostacolare la circolazione sanguigna a mani e braccia. Indossare indumenti caldi e tenere le mani al riparo dal freddo e dall'umidità. In caso di intorpidimento, formicolio, dolore e sbianchimento della pelle, sospendere l'utilizzo dell'utensile, informare il datore di lavoro e consultare un medico.
- Mantenere una presa leggera ma sicura dell'utensile, poiché il rischio legato alle vibrazioni è maggiore in presenza di una presa forte.
- Se possibile, utilizzare un braccio di sospensione o montare un'impugnatura laterale.
- Selezionare, conservare e sostituire gli accessori e i materiali di consumo/l'utensile inserito in base a quanto indicato nel manuale di istruzioni, in modo da evitare un inutile aumento dei livelli di vibrazione.
- Non utilizzare punte di avvitatori, bussole o prolunghe usurati o inadeguati, poiché potrebbero causare un notevole aumento delle vibrazioni.

Rischi relativi al luogo di lavoro

- Scivolamenti, inciampi e cadute possono causare infortuni gravi o mortali. Prestare attenzione alla presenza di tratti di tubo flessibile sulla superficie di calpestio o lavoro.

- Evitare l'inalazione di polveri o fumi o il trattamento di residui dei processi di lavorazione che possono causare malattie (per esempio, cancro, malformazioni fetali, asma e/o dermatite). Utilizzare l'estrazione di polvere e indossare attrezzature protettive per la respirazione durante il lavoro con materiali che producono particelle sospese nell'aria.
- La polvere prodotta da sabbiatura elettrica, utilizzo della sega, smerigliatura, perforazione e altre attività edili contiene sostanze chimiche che lo Stato della California ritiene provocano cancro, malformazioni del feto e disturbi dell'apparato riproduttivo. Si riportano di seguito alcuni esempi di tali sostanze chimiche:
 - piombo contenuto nelle vernici mattoni,
 - mattoni, cemento e altri materiali edili in silice cristallina
 - arsenico e cromo provenienti da gomma trattata chimicamente

I rischi derivanti dall'esposizione a tali materiali variano in base alla frequenza di svolgimento dell'attività. Per ridurre l'esposizione a tali sostanze chimiche: lavorare in aree ben ventilate e utilizzare dispositivi di sicurezza approvati, come le maschere antipolvere progettate appositamente per filtrare le particelle microscopiche.

- Prestare attenzione agli ambienti sconosciuti. È necessario essere consapevoli dei rischi potenziali causati dal proprio lavoro. L'utensile non è isolato dal contatto con fonti di energia elettrica.
- Questo utensile non è progettato per essere utilizzato in ambienti con pericolo di esplosioni.

i Ulteriori informazioni sulla sicurezza relative agli utensili pneumatici portatili:

- CAGI 2528, B186.1, CODICE DI SICUREZZA PER GLI UTENSILI PORTATILI PNEUMATICI, disponibile presso Global Engineering Documents all'indirizzo <https://global.ihs.com/> o chiamando il numero +1 800 447-2273. In caso di difficoltà nel reperimento delle norme ANSI, rivolgersi direttamente all'associazione visitando il sito <https://www.ansi.org/>

Informazioni utili

Paese di origine

Taiwan

Sito web

Il sito web Rodcraft offre informazioni su prodotti, accessori, parti di ricambio e pubblicazioni.

Visita: www.rodcraft.com.

Scheda di sicurezza

Le schede di sicurezza descrivono i prodotti chimici venduti da Rodcraft.

Consultare il sito Web di Rodcraft (qr.cp.com/sds) per ulteriori informazioni.

Copyright

© Copyright 2023, Desoutter GmbH, Edmund-Seng-Str. 3-5, 63477 Maintal, Germany

Tutti i diritti riservati. Qualsiasi utilizzo o copia non autorizzati dei contenuti o di parte di questi è vietato. Ciò vale in particolare per marchi registrati, denominazioni dei modelli, numeri di componente e diagrammi. Utilizzare solo componenti autorizzati. Un eventuale danneggiamento o difetto di funzionamento causato dall'utilizzo di componenti non autorizzati non è coperto dalla garanzia o dalla responsabilità per danno da prodotti difettosi.

Verklaringen

EU-conformiteitsverklaring

Wij, **Desoutter GmbH**, Edmund-Seng-Str. 3-5, 63477 Maintal, Germany verklaren dat het product (met naam, type- en serienummer, zie voorpagina) in overeenstemming is met de volgende richtlijn(en):

2006/42/EC (17/05/2006)

Toegepaste geharmoniseerde normen:
EN 11148-6:2013


Autoriteiten kunnen relevante technische informatie opvragen van:

Pascal Roussy, R&D Manager, Ets Georges Renault, 38 rue Bobby Sands, BP10273 44818 Saint Herblain, France

Saint-Herblain, 2023/02/07

Pascal ROUSSY

Handtekening



Verklaring geluid & trilling

- Geluidsdrukniveau 84.8 dB(A), onzekerheid 3 dB(A), in overeenstemming met ISO 15744.
- Geluidsdrukniveau 95.8 dB(A), onzekerheid 3 dB(A), in overeenstemming met ISO 15744.
- Totale trillingswaarde 13.08 m/s², onzekerheid 1.63 m/s², in overeenstemming met ISO-28927-2.

Deze aangegeven waarden zijn verkregen door middel van laboratoriumtests volgens de opgegeven normen en zijn geschikt voor vergelijking met de aangegeven waarden van andere gereedschappen die volgens dezelfde normen zijn getest. Het trillingsemissieniveau kan worden gebruikt voor een voorlopige evaluatie van de blootstelling. Deze aangegeven waarden zijn niet geschikt voor gebruik in risicobeoordelingen. Waardes op individuele werkplekken kunnen hoger zijn. De werkelijke blootstellingswaarden en het risico van schade die een individuele gebruiker ondervindt zijn uniek en hangen af van de manier waarop de gebruiker werkt, van het werkstuk en van het ontwerp van het werkstation, alsook van de blootstellingstijd en de fysieke conditie van de gebruiker.

Wij, **Desoutter GmbH**, zijn niet aansprakelijk voor de gevolgen van het gebruik van de weergegeven waarden, in plaats van waarden die passen bij de werkelijke blootstelling, zoals bepaald via een afzonderlijke risicobeoordeling, en in een werksituatie waarover wij geen controle hebben

Indien dit gereedschap niet naar behoren wordt gebruikt, kan dit het hand-arm vibratiesyndroom veroorzaken. Een EU-richtlijn voor hand-armtrillingen vindt u op <http://www.pneurop.eu/index.php>. Selecteer 'Gereedschappen' en vervolgens 'Wetgeving'.

Wij adviseren een gezondheidscontrole op te zetten om al in een vroeg stadium symptomen te kunnen waarnemen die gerelateerd zouden kunnen zijn aan blootstellingen aan trillingen, zodat managementprocedures aangepast kunnen worden om toekomstig letsel te voorkomen.

- ⓘ Als deze apparatuur is bedoeld voor vaste toepassingen: De geluidsuitstoot wordt als richtlijn voor de machinebouwer verstrekt. Gegevens m.b.t. geluids- en trillingsuitstoot voor de gehele machine staan in het instructiehandboek voor de machine.

Informatie betreffende artikel 33 van REACH

De Europese Verordening (EU) nr. 1907/2006 inzake de registratie en beoordeling van en de autorisatie en beperkingen ten aanzien van chemische stoffen (REACH) stelt onder andere eisen met betrekking tot de communicatie in de toeleveringsketen. De informatievereiste geldt ook voor producten die zogenaamde zeer risicovolle stoffen bevatten (de 'kandidaat-slijst'). Op 27 juni 2018 werd loodmetaal (CAS-nr. 7439-92-1) toegevoegd aan de kandidaatslijst.

In overeenstemming met het bovenstaande, is deze mededeling bedoeld om u te informeren dat bepaalde mechanische componenten in het product loodmetaal kunnen bevatten. Dit is in overeenstemming met de huidige wetgeving inzake de beperking van stoffen en gebaseerd op rechtmatige uitzonderingen in de RoHS-Richtlijn (2011/65/EU). Loodmetaal lekt niet uit het product en muteert niet bij normaal gebruik en de concentratie van loodmetaal in het volledige product is ver onder de geldende drempel. Volg de lokale voorschriften bij het verwijderen van lood aan het einde van de levensduur van het product.

Regionale vereisten

⚠ WAARSCHUWING

Dit product kan u blootstellen aan chemicaliën, waaronder lood. Dit is een stof waarvan de Californische overheid weet dat deze kanker, aangeboren afwijkingen en vruchtbaarheidsproblemen veroorzaakt. Ga voor meer informatie naar

<https://www.p65warnings.ca.gov/>

Veiligheid

NIET WEGGOOIEN - AAN DE GEBRUIKER GEVEN

⚠ WAARSCHUWING Lees alle bij dit gereedschap geleverde veiligheidswaarschuwingen, instructies, illustraties en specificaties.

Indien u niet alle instructies hieronder opvolgt, kan dit leiden tot een elektrische schok, brand en/of ernstig lichamelijk letsel.

Bewaar alle waarschuwingen en instructies, zodat u ze op en later tijdstip kunt raadplegen.

⚠ WAARSCHUWING Alle plaatselijke wettige veiligheidsregels betreffende installatie, bediening en onderhoud moeten altijd in acht worden genomen.

Gebruiksverklaring

- Uitsluitend voor professioneel gebruik.
- Dit product en de accessoires mogen niet gemodificeerd worden.
- Gebruik dit product niet indien het beschadigd is.
- Indien de productgegevens of de gevarenwaarschuwingen op het product onleesbaar zijn of losraken, vervang ze dan onmiddellijk.
- Het product mag uitsluitend worden geïnstalleerd, gebruikt en onderhouden door bevoegde personeel in een industriële assemblage-omgeving.

Beoogd gebruik

Dit product is ontwikkeld om bevestigingsmiddelen met schroefdraad in/uit hout, metaal en kunststof te installeren/verwijderen

Kabel- en accugereedschap: Alleen voor gebruik binnen. Ander gebruik is niet toegestaan.

Het gebruik van andere onderdelen of accessoires dan die welke oorspronkelijk door de fabrikant zijn geleverd, kan leiden tot een daling van de prestaties en tot een toename van onderhoud, het geluidsniveau of trillingen en bijgevolg tot het volledig vervallen van de aansprakelijkheid van de fabrikant.

Productspecifieke instructies

Bediening

Vereisten voor de luchttoevoer

1. Voer schone, droge lucht met een maximale druk van 90 psig (6,3 bar) naar het gereedschap. Hogere drukken verminderen de levensduur van het gereedschap aanzienlijk.
2. Sluit het gereedschap aan op de luchtleiding met behulp van de pijp-, slang- en fittingmaten zoals aangegeven in *schema 3*.

Installatie / gebruik

1. Sluit het gereedschap aan zoals in *schema 3*.
2. Om het gereedschap te starten, trekt u aan de veiligheidshendel (1) en duwt u de snelheidsregelaar (2) in.
3. Verhoog de snelheid van het gereedschap door de druk op de snelheidsregelaar (2) te verhogen. *Zie schema 2*.
4. Laat de snelheidsregelaar (1) los om het gereedschap te stoppen. *Zie schema 1*.

Kop draaien

Zie Schema 4

1. Stop het gereedschap.
2. Duw de sluitbus naar voren (1).

3. Wijzig de positie van de gereedschapskop omhoog of omlaag (2), of terug in de normale positie. Zie *Schema 1*.
4. Duw de sluitbus (1) terug om de koppositie te vergrendelen. Zie *Schema 1*.

WAARSCHUWING

- ▶ Sart het gereedschap niet als de gereedschapskop niet is vergrendeld.

De draairichting wijzigen

Zie *Schema 5*

1. Stop het gereedschap.
2. Draai de knop (1) om de gereedschapskop linksom of rechtsom te draaien.
3. Start het gereedschap opnieuw.

Als het werk voltooid is

WAARSCHUWING De stoptijd kan meer dan 5 seconden bedragen.

- ▶ Leg het gereedschap pas neer als het uitgeschakeld en volledig gestopt is.
- ▶ De stoptijd is afhankelijk van het gebruikte slijpmiddel.

Leg het gereedschap voorzichtig neer om ervoor te zorgen dat het gereedschap niet uit zichzelf start.

Service en onderhoud

Smeren

Gebruik een luchtsmeerinrichting met SAE #10-olie, afgesteld op twee (2) druppels per minuut.

Onderhoudsinstructies

- **Volg de lokale milieuvoorschriften voor veilige hantering en verwijdering van alle onderdelen.**
- Onderhouds- en reparatiewerkzaamheden mogen alleen door gekwalificeerd personeel en met originele reserveonderdelen worden uitgevoerd. Neem contact op met de fabrikant of uw dichtstbijzijnde geautoriseerde dealer voor advies over technische service of als u reserveonderdelen nodig hebt.
- Voorkom onbedoeld inschakelen van de machine door altijd te controleren of de stroomkabel van de machine losgekoppeld is van het elektriciteitsnet.
- Demonteer en controleer het gereedschap elke 3 maanden (500 uur) als het gereedschap dagelijks wordt gebruikt. Vervang beschadigde of versleten onderdelen.
- Het gebruik van de volgende servicekit is aanbevolen om niet-productieve tijd tot een minimum te beperken: **Optimalisatiekit**

Afvoer

- Voor de verwijdering van deze apparatuur moet de wetgeving van het betreffende land worden gevolgd.
- Beschadigde, versleten of onjuist werkende gereedschappen **MOETEN BUITEN WERKING GESTELD WORDEN.**

Algemene veiligheidsinstructies

Gevaar m.b.t. luchttoevoer en luchtleidingen

- Perslucht kan ernstig letsel veroorzaken.
- Schakel de luchttoevoer uit, verwijder lucht uit de leidingen en koppel het gereedschap, wanneer u het niet gebruikt, af van de luchttoevoer alvorens accessoires te verwisselen of reparaties uit te voeren.
- Richt de luchtleiding nooit op uzelf of op een ander.
- Wegschietende slangen kunnen ernstig letsel veroorzaken. Controleer altijd of slangen en hulpstukken onbeschadigd zijn en goed vastzitten.
- Gebruik geen snelkoppelingen bij het gereedschap. Zie de instructies voor de juiste instelling.
- Als er kruiskoppelingen worden gebruikt, moeten er borgpenen worden geïnstalleerd.
- Overschrijd de maximale luchtdruk van 6,3 bar / 90 psi, of de waarde op de naamplaat van het gereedschap niet.

Verstrikkingsgevaar

- Blijf uit de buurt van de draaiende aandrijving. Als u loszittende kleding, handschoenen, sieraden, sjaals en haar niet uit de buurt van het gereedschap en accessoires houdt, kan dit leiden tot verstikking, beschadiging van haar en hoofdhuid en/of verwondingen.
- Vingers kunnen worden afgerukt of breken indien handschoenen bekneld raken in een roterend aandrijvingsmechanisme.
- Handschoenen met rubberen coating of metalen versteviging kunnen makkelijk bekneld raken tussen roterende krachtdoppen en uitbreidingen.
- Draag nooit loszitten handschoenen met afgeknijpte of rafelige vingers.
- Houd de aandrijving, de krachtdop of de uitbreiding nooit in uw handen.

Gevaren in verband met wegschietende delen

- Draag altijd slagvaste oog- en gezichtsbescherming wanneer u betrokken bent bij gebruik, reparatie of onderhoud van het gereedschap of bij het vervangen van accessoires op het gereedschap.
- Controleer of anderen in de werkruimte slagvaste oog- en gezichtsbescherming dragen. Zelfs kleine wegschietende voorwerpen kunnen oogbeschadiging en blindheid veroorzaken.
- Bevestigingsmiddelen met een te hoog of te laag koppel kunnen breken of losraken. Dit kan leiden tot ernstig lichamelijk letsel. Losgeraakte montages kunnen wegschieten. Controleer montages die een bepaald koppel eisen met een koppelmeter.
LET OP: Zogenaamde 'klik'-momentsleutels controleren niet op potentieel gevaarlijk hoge koppelwaarden.
- Gebruik het gereedschap nooit wanneer er geen contact met het werkobject is. Dit kan leiden tot te snel draaien. Hierdoor kan het accessoire van het gereedschap afkomen.
- Zorg ervoor dat elk project waaraan u werkt goed is bevestigd.

Accessoiregevaaren

- Gebruik uitsluitend geschikte accessoirehouders (zie onderdelenlijst). Gebruik waar mogelijk diepe contactdozen.
- Gebruik op gereedschappen met het sleutelretentiesysteem met de pen en Q-ring, de Q-ring om de insteekpen stevig te bevestigen.
- Gebruik uitsluitend momentsleutels en accessoires die in goede staat verkeren. Doppen in slechte staat of handmatige doppen en accessoires die met een slagmoersleutel worden gebruikt, kunnen uiteen barsten en een project worden.
- Gebruik altijd de meest eenvoudige aansluitmethode. Lange, elastische verlengstukken en adapters absorberen de impact en kunnen afbreken. Gebruik waar mogelijk diepe contactdozen.
- Raak doppen of accessoires niet aan tijdens gebruik, want dat verhoogt het risico op snijwonden, brandwonden of letsel door trillingen.

Operationele risico's

- Gebruikers en onderhoudspersoneel moet lichamelijk in staat zijn om met de omvang, het gewicht en de kracht van dit apparaat om te kunnen gaan.
- Houd het gereedschap op de correcte manier vast: zorg dat u gereed bent om normale of plotselinge bewegingen op te vangen.
- Gebruik niet in geval van verminderde luchtdruk of slijtage: indien de koppeling niet werkt, kan de handgreep van het gereedschap plotseling gaan draaien.
- Zorg dat u altijd controle hebt over de aandrijving. Voorkom dat u beklemd raakt tussen het gereedschap en het werkobject.

Gevaar: repeterende beweging

- Tijdens het gebruik van elektrisch gereedschap, ervaart de bediener mogelijk een onprettig gevoel in de handen, armen, schouders, nek of andere lichaamsdelen.
- Neem een prettige houding aan en zorg dat u in balans bent. Neem geen slechte houding aan en zorg dat u niet uit balans raakt. Voorkom een onprettig gevoel en vermoeidheid door regelmatig van houding te veranderen gedurende langdurige taken.
- Negeer nooit de volgende symptomen: aanhoudend of terugkerend ongemak, pijn, kloppende pijn, tintelingen, gevoelloosheid, branderigheid of stijfheid. Staak het gebruik van het gereedschap, stel uw werkgever op de hoogte van uw ervaringen en neem contact op met een arts.

Gevaar: geluid en trillingen

- Harde geluiden kunnen leiden tot permanente gehoorschade en andere problemen, zoals tinnitus. Gebruik oorbeschermers die worden aangeraden door uw werkgever of in de reglementen voor welzijn en veiligheid op de werkvloer.
- Blootstelling aan trillingen kan leiden tot permanente zenuwbeschadiging en een verstoorde bloedtoevoer naar handen en armen. Draag warme kleding en houd uw handen warm en droog. Indien u gevoelloosheid, tintelingen

of het wit wegtrekken van de huid waarneemt, dient u het gereedschap uit te schakelen, uw werkgever hiervan op de hoogte te stellen en contact met een arts op te nemen.

- Houd het gereedschap goed vast, maar niet te strak, aangezien de kans op letsel door trillingen groter is naarmate u het gereedschap strakker vasthoudt.
- Gebruik, indien mogelijk, een hanger of monteer een handgreep aan de zijkant van het gereedschap.
- Selecteer, onderhoud en vervang de accessoires en de verbruiksartikelen/het gereedschap volgens de gebruiksaanwijzing, om onnodige verhoging van trillingsniveaus te voorkomen.
- Gebruik geen versleten of slecht passende schroevendraaiers, doppen of verlengstukken, want dat zal waarschijnlijk een aanzienlijke toename van trillingen veroorzaken.

Werkplaatsgevaaren

- Uitglijden, struikelen en vallen zijn belangrijke oorzaken van ernstig lichamelijk letsel of de dood. Let goed op buizen die op het loop- of werkoppervlak liggen.
- Voorkom het inademen van stof of dampen of het hanteren van vuil afkomstig van het werkproces, die schadelijk zijn voor de gezondheid (denk hierbij aan kanker, aangeboren afwijkingen, astma en/of dermatitis). Zuig stof af en draag een stofmasker wanneer u werkt met materialen die deeltjes afgeven aan de lucht.
- Elektrisch schuren, zagen, slijpen, boren en andere bouwactiviteiten creëren stof die chemicaliën bevat die bij de staat Californië bekend staan als elementen die kankerverwekkend zijn, aangeboren afwijkingen veroorzaken of een nadelige invloed op de voortplanting hebben. Voorbeelden van dit soort chemicaliën zijn:
 - Lood uit verf op loodbasis
 - Silicakristallen, cement en andere metselproducten
 - Arsenicum en chroom in rubber dat met chemicaliën is behandeld

In hoeverre u risico loopt, is afhankelijk van de frequentie waarmee u dit soort werkzaamheden uitvoert. Beperk blootstelling aan dit soort chemicaliën als volgt: werk in een goed geventileerde ruimte, werk met goedgekeurde veiligheidsuitrusting, zoals stofmaskers die speciaal ontwikkeld zijn voor het filteren van microscopisch kleine deeltjes.

- Wees voorzichtig wanneer u zich op onbekend terrein bevindt. Zorg dat u zich bewust bent van de potentiële gevaren van uw werkzaamheden. Dit gereedschap is niet geïsoleerd tegen contact met elektrische stroombronnen.
- Dit gereedschap is niet aanbevolen voor gebruik in een potentieel explosieve atmosfeer.

i Aanvullende veiligheidsinformatie betreffende draagbare pneumatische gereedschappen:

- CAGI 2528 - B186.1, VEILIGHEIDSCODE VOOR DRAAGBARE PNEUMATISCHE GEREEDSCHAPPEN, verkrijgbaar via Global Engineering Documents op <https://global.ih.com/> of bel +1 800 447-2273. In geval van problemen bij het verkrijgen van ANSI-normen kunt u contact opnemen met ANSI via <https://www.ansi.org/>

Nyttige information

Land van oorsprong

Taiwan

Website

Informatie betreffende onze producten, accessoires, reserveonderdelen en puuciaties is te vinden op de website van Rodcraft.

Ga naar: www.rodcraft.com.

Veiligheidsinformatieblad

De veiligheidsinformatiebladen beschrijven de chemische producten verkocht door Rodcraft.

Raadpleeg de Rodcraft-website voor meer informatie qr.cp.com/sds.

Copyright

© Copyright 2023, Desoutter GmbH, Edmund-Seng-Str. 3-5, 63477 Maintal, Germany

Alle rechten voorbehouden. Onrechtmatig gebruik of het kopiëren van de inhoud of een deel hiervan is verboden. Dit is met name van toepassing op handelsmerken, modelnamen, onderdeelnummers en tekeningen. Gebruik uitsluitend onderdelen van Atlas Copco. Schade of defecten als gevolg van het gebruik van onderdelen van derden vallen niet onder de garantie.

Erklæringer

EU-overensstemmelseserklæring

Vi, **Desoutter GmbH**, Edmund-Seng-Str. 3-5, 63477 Maintal, Germany, erklærer, under eneansvar, at produktet (med navn, type og serienummer på forsiden) er i overensstemmelse med følgende direktiv(er):

2006/42/EC (17/05/2006)

Harmoniserede standarder anvendt:

EN 11148-6:2013

Myndigheder kan rekvirere relevant teknisk information fra:

Pascal Roussy, R&D Manager, Ets Georges Renault, 38 rue Bobby Sands, BP10273 44818 Saint Herblain, France

Saint-Herblain, 2023/02/07

Pascal ROUSSY



Underskrift

Støj- og vibrationsdeklaration

- Lydtrykniveau 84.8 dB(A), usikkerheds- 3 dB(A), i overensstemmelse med ISO 15744.
- Lydeffektniveau 95.8 dB(A), usikkerhed 3 dB(A), i overensstemmelse med ISO 15744.

- Vibrationens totalværdi 13.08 m/s², usikkerhed 1.63 m/s², i overensstemmelse med ISO-28927-2.

Disse erklærede værdier blev indhentet efter test af laboratypen i overensstemmelse med de angivne standarder og er egnet til sammenligning med de erklærede værdier for andre værktøjer testet i overensstemmelse med samme standarder. Vibrationsemissionsniveauet kan bruges til et foreløbigt skøn af eksponering. Sådanne erklærede værdier er ikke tilstrækkelige til brug i risikovurderinger, og værdier målt på de enkelte arbejdspladser kan være højere. De faktiske eksponeringsværdier og risici for skade, som opleves af den enkelte bruger er unikke og afhænger af, hvordan brugeren arbejder, arbejdsområdet og arbejdspladsens udlægning, så vel som af eksponeringstiden og brugerens fysiske tilstand.

Vi, **Desoutter GmbH**, hæfter ikke for følgerne af at bruge de erklærede værdier i stedet for værdier, der afspejler den faktiske udsættelse i en individuel risikovurdering som foretages i en arbejdspladssituation som vi ikke er herre over.

Dette værktøj kan forårsage hånd-arm-vibrationssyndrom, hvis anvendelse af værktøjet ikke styres på passende vis. En EU-vejledning til styring af hånd-armvibration findes ved at gå til <http://www.pneurop.eu/index.php> og vælge 'Tools' og derpå 'Legislation'.

Vi anbefaler et helbredsovervågningsprogram, så tidlige symptomer på vibrationseksponering kan blive opdaget, og ledelsesprocedurerne kan ændres mhp. at forebygge fremtidige skader.

- ⓘ Hvis dette udstyr er beregnet til fastgjorte anvendelser. Støjmissionen angives som vejledende for maskinbyggerne. Støj- og vibrationsemissionsdata for hele maskinen skulle være angivet i maskinens instruktionsbog.

Oplysninger om artikel 33 i REACH

Den europæiske forordning (EU) nr. 1907/2006 om registrering, vurdering og godkendelse af samt begrænsninger for kemikalier (REACH) definerer blandt andet krav til kommunikation i forsyningskæden. Oplysningskravet gælder også for produkter, der indeholder såkaldte særligt problematiske stoffer ("kandidatlisten"). Den 27. juni 2018 blev blymetal (CAS nr. 7439-92-1) føjet til kandidatlisten.

I overensstemmelse med ovenstående skal vi meddele dig, at visse mekaniske komponenter i produktet kan indeholde blymetal. Dette er i overensstemmelse med den gældende lovgivning om stofbegrænsning og baseret på legitime undtagelser i RoHS-direktivet (2011/65/EU). Blymetal lækker og muterer ikke fra produktet ved normal brug, og koncentrationen af blymetal i det komplette produkt ligger langt under den gældende grænseværdi. Tag hensyn til lokale krav vedrørende bortskaffelse af bly ved slutningen af produktets levetid.

Regionale krav

⚠ ADVARSEL

Dette produkt kan udsætte dig for kemikalier og bly, som af staten Californien regnes for at være kræftfremkaldende og kan føre til fosterskader og andre reproduktionsskader. For yderligere oplysninger, gå til

<https://www.p65warnings.ca.gov/>

Sikkerhed

KASSÉR IKKE DETTE - GIV DET TIL BRUGEREN

⚠ ADVARSEL Læs alle sikkerhedsadvarsler, anvisninger, illustrationer og specifikationer, der følger med dette maskinværktøj.

Hvis nogen af instruktionerne ikke følges, kan det føre til elektrisk stød, brand og/eller alvorlige kvæstelser.

Gem alle advarsler og instruktioner til fremtidig brug.

⚠ ADVARSEL Alle lokalt gældende sikkerhedsforskrifter omhandlende installation, drift og vedligeholdelse skal altid overholdes.

Anvendelseserklæring

- Kun til professionel brug.
- Dette produkt og produktets tilbehør må ikke modificeres på nogen måde.
- Dette produkt må ikke bruges, hvis det er beskadiget.
- Hvis mærkaterne om produktdata eller advarsler på værktøjet ikke længere kan læses eller falder af, skal der straks sættes nye på.
- Produktet må kun installeres, betjenes og serviceres af en kvalificeret person i et industriområde.

Tilsigtet brug

Dette produkt er designet til at montere og afmontere gevindskårne befæstelselementer i træ, metal eller plast.

Kabel- og batteriværktøj: Kun til indendørs brug. Ingen anden anvendelse er tilladt.

Brug af reservedele eller tilbehør som ikke er leveret af producenten kan resultere i et tab af ydeevne og forøget vedligeholdelsesbehov, støjniveau og vibration, og som følge heraf et totalt bortfald af producentens garanti.

Produktspecifikke instrukser

Betjening

Krav til lufforsyning

1. Forsyn værktøjet med ren, tør luft med et maksimaltryk på 90 psi (6,3 bar). Højere tryk reducerer værktøjets levetid dramatisk.
2. Tilslut værktøjet til luftledningen med de størrelser på rør, slange og fittings som vist i *skema 3*.

Installation/drift

1. Tilslut værktøjet som vist på *skema 3*.
2. Træk i sikkerhedshåndtaget (1) og tryk på gashåndtaget (2) for at starte værktøjet.
3. Forøg værktøjets hastighed ved at øge trykket på gashåndtaget (2). *Se skema 2*.
4. Slip gashåndtaget (1) for at standse værktøjet. *Se skema 1*.

Position af drejehoved

Se skema 4.

1. Stands værktøjet.
2. Skub låsemanchetten (1) fremad.
3. Flyt værktøjshovedet op eller ned (2) eller tilbage til normal position. *Se skema 1*.
4. Tryk tilbage på låsemanchetten (1) for at låse hovedets position. *Se skema 1*

⚠ ADVARSEL

- ▶ Værktøjet må ikke startes hvis værktøjshovedet ikke er låst.

Ændring af rotationsretning.

Se skema 5.

1. Stands værktøjet.
2. Drej på knappen (1) for at rotere værktøjshovedet med eller mod uret.
3. Start værktøjet igen.

Efter afsluttet arbejde

⚠ ADVARSEL Afbrydelsen kan ikke vare længere end 5 sekunder.

- ▶ Kontroller, at værktøjet er slukket og standset helt, før det lægges ned.
- ▶ Standsningstiden afhænger af det anvendte slibemiddel.

Læg værktøjet forsigtigt ned for at sikre at det ikke starter af sig selv.

Reparation og vedligeholdelse

Smøring

Brug et smøremiddel til luftledning med SAE #10 olie, justeret til to (2) dråber pr. minut.

Vedligeholdelsesanvisninger

- Følg landets miljølovgivning angående sikker håndtering og bortskaffelse af alle komponenter.
- Vedligeholdelses- og reparationsarbejde skal udføres af kvalificeret personale som kun bruger originale reservedele. Kontakt fabrikanten eller din nærmeste autoriserede forhandler for rådgivning om teknisk service, hvis du skal bruge reservedele.
- Sørg altid for, at maskinen er frakoblet energikilden for at undgå utilsigtet betjening.
- Adskil og efterse værktøjet hver tredje måned (efter 500 timer), hvis det bruges hver dag. Udskift defekte eller slidte dele.
- Følgende servicesæt anbefales for at holde nedetiden til et minimum: **Tuningssæt**

Bortskaffelse

- Følg landets lovgivning ved bortskaffelse af dette materiel.
- Alt beskadiget, stærkt slidt eller forkert funktionerende udstyr **SKAL TAGES UD AF DRIFT**.

Generelle sikkerhedsanvisninger

Faremoment: trykluft og tilslutning

- Luft under tryk kan forårsage alvorlig tilskadekomst.
- Sluk altid for lufttilførslen, tag trykket af slangen, og kobl værktøjet fra, når det ikke benyttes, og der skiftes tilbehør eller foretages reparation.
- Vend aldrig luft mod dig selv eller andre.
- Piskende slanger kan forårsage alvorlig personskade. Inspicér altid for beskadigede og løse slanger og fittings.
- Brug ikke lynafbrydelseskoblinger på værktøjet. Se instruktionerne vedr. korrekt montering.
- Når der benyttes universalspiralkoblinger, skal der være installeret låsestifter.
- Lufttrykket må aldrig overstige 6,3 bar/90 psig, eller som angivet på værktøjets fabriksskilt.

Indviklingsfare

- Hold afstand til roterende dele. Man kan blive kvalt, skalperet og/eller sønderrevet, hvis løstsiddende tøj, handsker, smykker, halsklude og hår ikke holdes fra værktøj og tilbehør.
- Handsker kan blive viklet ind i roterende drev og forårsage afskærne eller brækkede fingre.
- Drivspindelfatninger og drivforlængelser kan nemt gribe i gummibelagte eller metalforstærkede handsker.
- Du må ikke bruge løstsiddende handsker eller handsker med snittede eller flossede fingre.
- Hold aldrig i drivspindelen, fatningen eller drivforlængelsen.

Fare for udslyngede genstande

- Brug altid slagfast øjen- og ansigtssvævn under eller nær arbejdet, ved reparation eller vedligeholdelse af værktøjet eller udskiftning af tilbehør på værktøjet.
- Sørg for, at alle andre i området benytter slagfast øsen- og ansigtssvævn. Selv små udslyngede genstande kan skade øjne og forårsage blindhed.
- Over- eller underspændte møtrikker og bolte kan forårsage alvorlig tilskadekomst, da de kan gå itu eller løsnes og falde af. Løsgjorte dele kan udgøre projektiler. Samlinger, der skal tilspændes med et særligt moment, skal kontrolleres ved hjælp af en momentmåler.
BEMÆRK: Såkaldte "klik" momentnøgler kan ikke bruges til at kontrollere for potentielt farlige, overspændte tilstande.
- Lad aldrig værktøjet køre ud i luften. Det kan køre for hurtigt og forårsage, at tilbehøret slynges af værktøjet.
- Sørg for, at arbejdsemnet sidder sikkert fast.

Faremoment: Tilbehør

- Brug kun korrekte tilbehørsholdere (se reservedelslisten). Brug dybe patroner, når dette er muligt.
- Til værktøjer med pind- og O-ring-sikringssystemet anvendes O-ringen til at holde stikpinden fast.

- Brug kun mærkekrafttoppe og andet slagnøgletilbehør, som er i god stand. Toppe som er i dårlig stand, eller toppe eller tilbehør som er beregnet til brug med håndværktøj, kan splintres og flyve gennem luften hvis de bruges sammen med slagnøgler.
- Benyt altid den simplest mulige tilslutning. Lange elastiske forlængere og adaptere absorberer slagkraft og kan brække. Brug dybe patroner, når dette er muligt.
- Rør ikke ved patroner/toppe eller tilbehør under drift da dette øger risikoen for snitsår, forbrændinger og vibrationskader.

Driftsfarer

- Brugere og reparationspersonale skal være fysisk i stand til at håndtere det elektriske værktøj med hensyn til omfang, vægt og kraft.
- Hold værktøjet korrekt: vær parat til at modvirke almindelige eller pludselige bevægelser - brug begge hænder.
- Må ikke bruges med et lavere lufttryk, eller hvis den er slidt: Det er muligt, at koblingen ikke fungerer, og dette kan forårsage, at skaffet pludselig drejer.
- Bevar altid fuld kontrol over gasreguleringen. Bliv ikke fanget mellem værktøjet og materialet.

Fare forbundet med gentagne bevægelser

- Når der anvendes elektrisk værktøj til at udføre arbejdsrelaterede aktiviteter, vil brugeren muligvis føle ubehag i hænder, arme, skuldre, nakke og andre dele af kroppen.
- Indtag en bekvem stilling, mens der bevares et godt fodfæste og undgå akavede eller ubalancerede stillinger. Det kan hjælpe at skifte stilling ved langvarige opgaver for at forebygge ubehag og træthed.
- Lad ikke symptomer som f.eks. vedvarende eller tilbagevendende ubehag, smerte, dunken, irritation, prikken, følelsesløshed, brændende fornemmelse eller stivhed gå upåagtet hen. Hold op med at bruge værktøjet, informér din arbejdsgiver, og tal med en læge.

Støj- og vibrationsfarer

- Høje lyd niveauer kan give permanent høretab og andre problemer som f.eks. tinnitus. Der skal altid bruges høreværn, som anbefalet af din arbejdsgiver eller i gældende arbejdsmiljøbestemmelser.
- Udsættelse for vibrationer kan forårsage invaliderende skade på nerverne og hæmme blodforsyningen til hænder og arme. Brug varmt tøj, og hold hænderne varme og tørre. Hvis der opstår følelsesløshed, snurren eller smerter, eller huden bliver hvid, skal man ophøre med at bruge værktøjet, informere sin arbejdsgiver og søge lægehjælp.
- Hold værktøjet i et let men sikkert greb, da risikoen for vibration generelt er større, når gribekraften er højere.
- Hvor muligt bør der anvendes en støttearm, eller et sidehåndtag monteres.
- Udvalg, vedligehold og udskift ekstraudstyr og forbrugsmaterialer/isat værktøj i henhold til brugsvejledningen for at undgå en unødigt stigning i vibrationsniveauet.
- Anvend ikke slidte eller dårligt passende skruebits, toppe eller forlængere da dette kan forårsage en væsentlig stigning i vibrationsniveauet.

Farer på arbeidsplassen

- En af de hyppigste årsager til alvorlig og livsfarlig personskade er, at man glider, snubler eller flader. Vær opmærksom på slanger, der er efterladt på gulvet.
- Undgå indånding af støv eller håndtering af affald fra de arbejdsprocesser, som kan være skadelige for dit helbred (f.eks. cancer, fostermisdannelser, astma og/eller dermatitis). Brug et udsugningsanlæg, og brug beskyttende respirationsudstyr, når du arbejder med materialer, der frembringer luftbårne partikler.
- En del støv, som frembringes ved pudning, savning, slibning, boring og andre byggeaktiviteter indeholder kemikalier, hvorom delstaten Californien ved, at de forårsager cancer, fostermisdannelser og anden reproduktiv skade. Nogle eksempler på sådanne kemikalier er:
 - Bly fra blyholdig maling
 - Silikatkrystalholdige mursten, cement og andre murværksprodukter
 - Arsenik og krom fra kemisk behandlet gummi

Risikoen ved udsættelse for disse stoffer varierer, afhængigt af hvor ofte du udfører denne slags arbejde. Du kan mindske udsættelse for disse kemikalier ved at gøre følgende: Udfør arbejdet i et område med god ventilation og brug godkendt sikkerhedsudstyr såsom støvmasker, der er specielt godkendt til at bortfiltrere mikroskopiske partikler.

- Udvis forsigtighed i ukendte omgivelser. Vær opmærksom på mulige faremomenter, der kan opstå som følge af arbejdets udførelse. Dette værktøj er ikke isoleret fra at komme i kontakt med elektriske strømkilder.
- Dette værktøj anbefales ikke til brug i potentielt eksplosive atmosfærer.

i Yderligere sikkerhedsinformation vedrørende transportabelt pneumatisk værktøj:

- CAGI 2528 - B186.1, SAFETY CODE FOR PORTABLE AIR TOOLS (sikkerhedskode for transportabelt pneumatisk værktøj), kan indhentes hos Global Engineering Documents på <https://global.ihs.com/> eller ved telefonisk henvendelse på tlf.: +1 800 447-2273. Hvis du skulle have problemer med at indhente ANSI-standarder, bedes du kontakte ANSI via <https://www.ansi.org/>

Nyttig information**Oprindelsesland**

Taiwan

Website

Information om vores produkter, tilbehør, reservedele og publikationer kan findes på vores websted for Rodcraft.

Gå ind på: www.rodcraft.com.

Sikkerhedsdatasæt

Sikkerhedsdatabladet indeholder beskrivelser af kemiske produkter leveret af Rodcraft.

Se websiden tilhørende Rodcraft for yderligere oplysninger på qr.cp.com/sds.

Copyright

© Copyright 2023, Desoutter GmbH, Edmund-Seng-Str. 3-5, 63477 Maintal, Germany

Alle rettigheder forbeholdes. Al uautoriseret brug eller kopiering af indholdet eller dele deraf er forbudt. Dette gælder især varemærker, modelbetegnelser, reservedelsnumre og tegninger. Brug kun autoriserede reservedele. Al skade eller fejlfunktion som følge af brug af uautoriserede dele dækkes hverken af garantien eller produktansvaret.

Erklæringer**EU-Samsvarserklæring**

Vi, **Desoutter GmbH**, Edmund-Seng-Str. 3-5, 63477 Maintal, Germany, erklærer under eget ansvar at produktet (Med navn, type og serienummer, se forsiden) er i samsvar med følgende direktiv(er):

2006/42/EC (17/05/2006)

Benyttede harmoniserede standarder:

EN 11148-6:2013

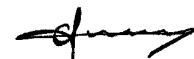
Myndigheder kan be om relevant teknisk information fra:

Pascal Roussy, R&D Manager, Ets Georges Renault, 38 rue Bobby Sands, BP10273 44818 Saint Herblain, France

Saint-Herblain, 2023/02/07

Pascal ROUSSY

Underskrift


**Erklæring om støv- og vibrationsdemping**

- Lydtrykknivå 84.8 dB(A), usikkerhet 3 dB(A), i samsvar med ISO 15744.
- Lydeffektnivå 95.8 dB(A), usikkerhet 3 dB(A), i samsvar med ISO 15744.
- Total vibrationsverdi 13.08 m/s², usikkerhet 1.63 m/s², i samsvar med ISO-28927-2.

Disse gitte verdiene ble hentet fra laboratorietesting i samsvar med de nevnte standardene, og er egnet for sammenligning med de gitte verdiene for andre verktoy testet i samsvar med de samme standardene. Vibrasjonsnivået kan bli brukt ved forhåndsvurdering av eksponering. Disse gitte verdiene er ikke tilstrekkelig til bruk i risikovurderinger, og verdier målt ved individuelle arbeidsplasser kan være høyere. Faktiske eksponeringsverdier og risiko for skade hos en individuell bruker er unike, og disse er avhengig av måten brukeren jobber på, arbeidsstykket og arbeidsstasjonen, i tillegg til eksponeringstid og brukerens fysiske helse.

Vi, **Desoutter GmbH**, kan ikke holdes ansvarlig for konsekvensene av å benytte de erklærte verdiene, i stedet for verdier som reflekterer den faktiske eksponeringen, i en individuell risikovurdering i en situasjon på arbeidsplassen som vi ikke har kontroll over.

Dette verktøyet kan forårsake hånd-arm-vibrasjonssyndrom hvis det ikke håndteres riktig. En EU-veiledning for å administrere hånd-/armvibrasjon kan bli funnet ved å gå til <http://www.pneurop.eu/index.php>, og velge «Tools» og deretter «Legislation».

Vi anbefaler at bedriftshelsetjenesten gjennomfører et program for å avdekke tidlige tegn på vibrasjonseksponering, slik at prosedyrene kan endres for å bidra til å unngå fremtidig svekkelse.

- i** Dette utstyret er ment for faste applikasjoner: Støyemisjonen gis som en veiledning for maskinbyggen. Støy- og vibrasjonsemissionsdata for den fullstendige maskinen skal gis i instruksjonshåndboken for maskinen.

Informasjon angående artikkel 33 i REACH

Den Europeiske reguleringen (EU) Nr. 1907/2006 som gjelder registrering, evaluering, autorisasjon og restriksjon av kjemikalier (REACH) definerer, blant annet, krav relatert til kommunikasjon i leveransekjeden. Informasjonskravet gjelder også produkter som inneholder såkalte stoffer av meget høy bekymring ("Kandidatlisten"). Den 27. juni, 2018 ble blymetall (CAS nr 7439921) lagt til kandidatlisten.

I henhold med det ovenstående er dette for å informere deg om at visse mekaniske komponenter i produktet kan inneholde blymetall. Dette er i samsvar med den gjeldende lovgivningen som gjelder restriksjoner av stoffer og basert på legitime unntak i RoHS direktivet (2011/65/EU). Blymetall vil ikke lekke eller muteres fra produktet under vanlig bruk og konsentrasjonen av blymetall i det komplette produktet er godt under den gjeldende terskelgrensen. Se over lokale krav angående avhending av bly når produktets brukstid er utløpt.

Regionale krav

⚠ ADVARSEL

Dette produktet kan utsette deg for kjemikalier inkludert bly, noe den amerikanske staten California regner som kreftfremkallende, som årsak til fosterskader og på andre måter som skadelig for forplantningsprosessen. For mer informasjon besøk

<https://www.p65warnings.ca.gov/>

Sikkerhet

KAST IKKE BORT - GI TIL BRUKER

⚠ ADVARSEL Les alle sikkerhetsadvarslene, instruksjoner, illustrasjoner og spesifikasjoner som medfølger dette elektriske verktøyet.

Om man ikke følger instruksjonene under, kan det føre til elektrisk støt, brann og/eller alvorlige skader.

Ta vare på alle advarsler og anvisninger for fremtidig bruk.

⚠ ADVARSEL Alle lokale, lovbestemte sikkerhetsregler vedrørende installasjon, operasjon og vedlikehold skal overholdes til enhver tid.

Brukerklæring

- Kun til profesjonell bruk.
- Dette produktet og dets tilbehør må ikke på noen måte modifiseres.
- Ikke bruk dette produktet hvis det har blitt skadet.
- Dersom dataverktøyet eller farevarselskiltene på produktet ikke lenger er leselige eller løsner, må disse skiftes ut umiddelbart.
- Produktet må kun installeres, brukes og vedlikeholdes av en kvalifisert person i et industrielt monteringsmiljø.

Tiltenkt bruk

Dette produktet er designet for å installere og fjerne gjengede festeinnretninger i tre, metall eller plast.

Kabel- og batteriverktøy: Kun til innendørs bruk. Annen bruk er ikke tillatt.

Bruk av andre reservedeler eller tilbehør enn de som opprinnelig er levert av produsenten kan føre til redusert ytelse og økt vedlikehold, støynivå eller vibrasjoner, og som et resultat, fullstendig fritakelse av produsentens ansvar.

Produktspesifikke instruksjoner

Betjening

Krav til luftforsyning

1. Tilfør ren, tørr luft med 90 psig (6,3 bar) til verktøyet. Høyere trykk reduserer verktøyets levetid drastisk.
2. Koble verktøyet til luftledningen ved hjelp av rør-, slange- og koblingsstørrelsene vist i *skjema 3*.

Installasjon / Bruk

1. Koble til enhet som vist på *skjema 3*.
2. For å starte verktøyet, trekk i sikkerhetsspaken (1) og trykk på gasspaken (2).
3. Øk verktøyets hastighet ved å øke trykket på gasspaken (2). Se *skjema 2*.
4. Slipp opp gasspaken (1) for å stanse verktøyet. Se *skjema 1*.

Skruehodeposisjon

Se *Skjema 4*

1. Stans verktøyet.
2. Skyv frem låsehylsen (1).
3. Endre posisjonen til verktøyhodet opp eller ned (2), eller tilbake til normal posisjon. Se *skjema 1*.
4. Skyv tilbake låsehylsen (1) for å låse hodeposisjonen. Se *Skjema 1*

⚠ ADVARSEL

- ▶ Ikke start verktøyet hvis verktøyhodet ikke er låst.

Endre rotasjonsretningen

Se *Skjema 5*

1. Stans verktøyet.

2. Vri knotten (1) for å rotere verktøyhodet med eller mot klokken.
3. Start verktøyet på nytt.

Etter at arbeidet er fullført

ADVARSEL Stoppetiden kan være lenger enn 5 sekunder.

- ▶ Se til at verktøyet er slått av og har stoppet helt før det legges ned.
- ▶ Stoppetiden avhenger av slipemiddelet som brukes.

Sett ned verktøyet forsiktig for å sikre at verktøyet ikke starter av seg selv/av seg selv.

Service og Vedlikehold

Inspeksjon

Bruk luftlinjesmøring med SAE #10-olje, justert til to (2) dråper per minutt.

Vedlikeholdsinstruksjoner

- Følg miljøbestemmelsene i det lokale landet for sikker håndtering og avhending av alle komponenter.
- Vedlikehold og reparasjonsarbeid må kun utføres av kvalifisert personell som kun benytter originale reservedeler. Kontakt produsenten eller din nærmeste autoriserte forhandler for veiledning eller teknisk service dersom du trenger reservedeler.
- Sørg alltid for at maskinen er frakoblet strømtilførselen for å unngå driftsulykker.
- Demonter og inspiser verktøyet hver 3. måned (500 timer) hvis verktøyet brukes hver dag. Erstatt skadede eller slitte deler.
- For å holde nedetiden til et minimum, anbefales følgende servicesett: **Tune-up kit**

Avhending

- Lovverket i det respektive landet må følges for avhending av dette utstyret.
- Alle skadede, slitte eller feilfungerende enheter **MÅ TAS UT AV DRIFT.**

Generelle sikkerhetsinstruksjoner

Farer forbundet med trykkluftskildene og -koblinger

- Luft under trykk kan forårsake alvorlige helseskader.
- Før du skifter tilbehør eller utfører reparasjoner, eller når trykkluftskilden ikke brukes, skal lufttilførselen alltid stenges av, trykk i slangen skal elimineres og verktøyet skal koples fra lufttilførselen.
- Rett aldri trykkluftstrålen mot deg selv eller andre.
- Slinger som slår tilbake kan forårsake alvorlig skade. Kontroller alltid for skade eller løse slanger og koblingsdeler.
- Bruk aldri koblinger med hurtigutløser på verktøyet. Se instruksjonene for riktig monteringsmetode.
- Dersom man bruker universal vrikoblinger, skal en låsepinne er installert.

- Det maksimale lufttrykket må ikke overstige 6,3 bar/90 psig, eller som angitt på verktøyets typeskilt.

Farer med sammenflokking

- Hold deg unna drivspindler. Kveling/skalpering og/eller sår kan oppstå hvis løse klær, hansker, smykker, hal-skleder og hår ikke holdes unna verktøy og tilbehør.
- Hansker kan vikle seg fast i det roterende drevet og forårsake skadede eller brukne fingre.
- Roterende drivsokler og drivutvidelser kan lett vikle inn gummibelagte eller metallforsterkede hansker.
- Ikke bruk løstsittende hansker eller hansker med avkuttete eller frynsede fingre.
- Hold aldri drevet, sokkelen eller drivutvidelsen.

Farer forbundet med prosjektiler

- Bruk alltid slagfast øye- og ansiktsbeskyttelse når du bruker eller er i nærheten av arbeidsområdet, ved reparasjon eller vedlikehold av verktøyet, eller når du skifter tilbehør på verktøyet.
 - Sørg for at alle andre innenfor arbeidsområdet bruker slagfast øye- og ansiktsbeskyttelse. Selv små prosjektiler kan skade øynene og forårsake blindhet.
 - Festeskruer som er skrudd til med for stort eller for lite dreiemoment kan forårsake alvorlige helseskader, da de kan brette, løsne eller gå fra hverandre. Montasjer som er skrudd løs, kan bli til prosjektiler. Montasjer som trenger et spesifikt tiltrekkingsmoment, skal sjekkes ved å bruke en momentmåler.
- MERK: Momentnøkler med \"klikk\" kan ikke brukes til å sjekke en potensielt farlig tilstand hvor det er for høyt tiltrekkingsmoment.
- Verktøyet må aldri betjenes borte fra arbeidsstykket. Det kan komme til å gå for fort og føre til at tilbehøret kastes av verktøyet.
 - Se til at arbeidsstykket er godt festet.

Farer forbundet med tilbehør

- Bruk kun riktige festeanordninger for tilbehør (se delelisten). Bruk dype sokkelkoblinger hvor det er mulig.
- For verktøy som bruker pinne- og O-ringspipeholdersystem, bruk O-ringen til å holde pipepinne godt fast.
- Bruk bare muttetrekkerpiper og -tilbehør som er i god stand. Utslitte sokler eller tolvkantpiper og tilbehør som brukes med slagnøkler kan gå i stykker og bli til et prosjektil.
- Bruk alltid den forbindelsen som er enklest. Lange, fjærende forlengelseshåndtak og adaptere reduserer slagkraften og kan brette. Bruk dype sokkelkoblinger hvor det er mulig.
- Ikke berør sokler eller tilbehør under drift, da dette øker risikoen for kutt, brannskader eller vibrasjonsskader

Farer under drift

- Operatører og vedlikeholdspersonell må være i fysisk stand til å behandle størrelsen, vekten og styrken av verktøyet.
- Hold verktøyet på korrekt måte: Vær klar til å reagere på normale eller plutselige bevegelser - ha begge hendene tilgjengelige.

- Skal ikke brukes med redusert lufttrykk eller i slitt tilstand. Clutchen fungerer kanskje ikke, noe som fører til plutselig rotasjon av verktøyets håndtak.
- Ha kontroll over gassreguleringen til enhver tid. Unngå å bli sittende fast mellom verktøyet og arbeidet.

Repeterende bevegselsfarer

- Ved bruk av et elektrisk verktøy til å utføre arbeidsrelaterte aktiviteter kan operatøren oppleve ubehag i hender, armer, skuldre, nakke eller andre deler av kroppen.
- Innta en behagelig posisjon mens du beholder godt fotfeste og unngår en upraktisk eller ubalansert stilling. Hvis du skifter stilling under langvarige oppgaver, kan dette hjelpe deg til å unngå ubehag og tretthet.
- Ikke ignorer symptomene, slik som vedvarende eller tilbakevendende ubehag, smerte, pulserende, verkende, prikkende, nummende, brennende følelse eller stivhet. Stopp bruken av verktøyet, gi arbeidsgiveren din beskjed og oppsøk lege.

Støy- og vibrasjonsfarer

- Høye lydnivåer kan forårsake varig hørselstap og andre problemer, slik som tinnitus. Bruk hørselsvern som anbefalt av arbeidsgiver eller helse- og sikkerhetsforskrifter på arbeidsplassen.
- Vibrasjoner kan forårsake uførhetsskader på nerver og hindre blodtilførselen til hender og armer. Bruk varme klær og hold hender varme og tørre. Hvis det oppstår nummenhet, prikking, smerte eller fargetap i huden, skal du slutte å bruke verktøyet, gi beskjed til din arbeidsgiver og kontakte lege.
- Hold verktøyet i et lett, men trygt grep, fordi risikoen fra vibrasjonen generelt sett er større når grepskraften er høyere.
- Hvor det er mulig, bruk en opphengsarm eller monter et sidehåndtak.
- Velg, vedlikehold og skift ut tilbehør og forbruksmaterieell/innsatt verktøy i samsvar med bruksanvisningen, for å forhindre unødvendig økning i vibrasjonsnivåer.
- Ikke bruk skrutrekkerbits, piper eller forlengelser, da det er sannsynlig at disse fører til en betydelig økning i vibrasjon.

Farer på arbeidsplassen

- Å skli/snuble/falle er en hyppig årsak til alvorlig skade eller død. Vær oppmerksom på overfløidige deler av slangen på bakken der man går eller arbeider.
- Unngå å puste inn støv eller damp og å håndtere helseskadelige avfallsprodukter fra arbeidsprosessen (som kan forårsake for eksempel kreft, fødselsdefekter, astma og/eller dermatitt). Bruk støvavsug og pusteutstyr når du arbeider med materialer som avgir luftbårne partikler.
- Enkelte typer støv som frigjøres ved sandblåsing, saging, sliping, boring og andre byggeaktiviteter inneholder kjemikalier som den amerikanske staten California regner som kreftfremkallende, som årsak til fosterskader og på andre måter skadelig for forplantningsprosessen. Dette er noen eksempler på slike kjemikalier:
 - Bly fra blyholdig maling

- Blokker av krystallinsilika, sement og andre murprodukter
- Arsenikk og krom fra kjemikaliebehandlet gummi

Den helsefaren som utgår fra slike produkter varierer, avhengig av hvor ofte du utfører denne type arbeid. For å redusere din eksponering for disse kjemikaliene: Jobb alltid på et godt ventilert område, bruk godkjent sikkerhetsutstyr som f.eks. støvmasker som er spesielt utviklet for å filtrere bort mikroskopiske partikler.

- Gå varsomt frem i uvante omgivelser. Vær oppmerksom på eventuelle farer som skapes av arbeidsaktiviteten. Dette verktøyet er ikke isolert mot å komme i kontakt med elektriske strømkilder.
- Dette verktøyet anbefales ikke til bruk i potensielt eksplosive atmosfærer.

i Tilleggsinformasjon angående bærbare lufttrykksverktøy:

- CAGI 2528 - B186.1, SIKKERHETSKODE FOR BÆRBARE LUFFTRYKKSVERKTØY, tilgjengelig fra Global Engineering Dokumenter på <https://global.ihs.com/> eller ring +1 800 447-2273. Ta eventuelt kontakt med ANSI via <http://www.ansi.org/> hvis det er vanskelig å få tak i ANSI standarder.

Nyttig informasjon

Opphavsland

Taiwan

Nettsider

Du finner informasjon vedrørende produkter, tilbehør, reservedeler og publiserte saker på Rodcraft-nettstedet.

Besøk siden: www.rodcraft.com.

Sikkerhetsdatablad

Sikkerhetsdatabladet beskriver de kjemiske produktene solgt av Rodcraft.

Vennligst se Rodcraft nettsider for mer informasjon qr.cp.com/sds.

Opphavsrett

© Copyright 2023, Desoutter GmbH, Edmund-Seng-Str. 3-5, 63477 Maintal, Germany

Alle rettigheter forbeholdes. All uautorisert bruk eller kopiering av innholdet eller en del av dette er forbudt. Dette gjelder spesielt for varemerker, modellbetegnelser, delenumre og tegninger. Bruk kun autoriserte deler. Skader eller feilfunksjoner som forårsakes av bruk av uautoriserte deler, dekkes ikke av garantien eller produktansvaret.

Vakuutukset

EU-vaatimustenmukaisuusvakuutus

Me, **Desoutter GmbH**, Edmund-Seng-Str. 3-5, 63477 Maintal, Germany, vakuutamme yksinomaaisella vastuullamme, että tuote (nimi, tyyppi ja sarjanumero, katso etusivu) on yhdenmukainen seuraavien direktiivien kanssa:



2006/42/EC (17/05/2006)

Sovelletut yhdenmukaistetut standardit:
EN 11148-6:2013

Viranomaiset voivat pyytää asiaan liittyvät tekniset tiedot seuraavasta osoitteesta:

Pascal Roussy, R&D Manager, Ets Georges Renault, 38 rue Bobby Sands, BP10273 44818

Saint Herblain, France

Saint-Herblain, 2023/02/07

Allekirjoitus

Pascal ROUSSY

Melu- ja värinädirektiivin selonteko

- Äänenpainetaso 84.8 dB(A), mittausepävarmuus 3 dB(A), ISO 15744 -standardin mukaisesti.
- Äänentehotaso 95.8 dB(A), mittausepävarmuus 3 dB(A), ISO 15744 -standardin mukaisesti.
- Kokonaistärinätaso 13.08 m/s², mittausepävarmuus 1.63 m/s², ISO-28927-2 -standardin mukaisesti.

Ilmoitetut arvot on saatu mainittujen standardien mukaisessa laboratoriotyyppisessä testauksessa ja ne soveltuvat toisten samojen standardien mukaan testattujen työkalujen ilmoitettujen arvojen keskinäiseen vertailuun. Tärinäpäästötasoa voidaan käyttää altistumisen alustavassa arvioinnissa. Ilmoitetut arvot eivät ole riittäviä käytettäväksi riskiarviointeihin, ja eri työpaikoilla mitatut arvot saattavat olla korkeampia. Yksittäisen käyttäjän kokemat todelliset altistumisarvot ja haittariski ovat ainutkertaisia ja riippuvat käyttäjän työskentelytavasta, työkappaleesta ja työasemasta samoin kuin käyttäjän altistumisajasta ja fyysisestä kunnosta.

Me, **Desoutter GmbH**, emme ole vastuussa ilmaistujen arvojen käytöstä syntyvistä seuraamuksista, todellista altistumista vastaavien arvojen sijaan, työpaikan tilanteen yksittäisessä riskiarvioinnissa, jota emme voi hallita.

Tämä työkalu voi aiheuttaa käsien ja käsivarsien täriseistä, jos sitä ei käytetä oikealla tavalla. Käsitärinää (hand-arm vibration) koskeva EU-opas löytyy osoitteesta <http://www.pneurop.eu/index.php> valitsemalla "Tools" ja sitten "Legislation".

Suosittamme säännöllisiä terveystarkastuksia tärinäaltistuksen aiheuttamien, tärinänsairauteen viittaavien oireiden havaitsemiseksi ajoissa, jotta työnohjauksella ja työympäristöön vaikuttavilla toimilla voidaan estää oireiden paheneminen tulevaisuudessa.

- i** Jos tämä laite on tarkoitettu kiinteisiin sovelluksiin: Melupäästöarvot ovat ohjeellisia koneenrakentajaa varten. Koko koneen melu- ja värinäpäästötiedot on ilmoitettava koneen käyttöohjeessa.

Tietoa REACH-asetuksen artiklasta 33

Euroopan REACH-asetus (EU) N:o 1907/2006 kemikaalien rekisteröinnistä, arvioinnista, lupamenettelyistä ja rajoituksista määrittelee muun muassa toimitusketjun viestintään liittyviä velvoitteita. Tiedonantovelvoite koskee myös tuotteita, jotka sisältävät niin sanottuja erityistä huolta aiheuttavia aineita (ns. ehdokasluettelon aineita). 27. kesäkuuta 2018 tähän ehdokasluetteloon lisättiin lyijymetalli (CAS-numero 7439-92-1).

Yllä olevan mukaisesti haluamme ilmoittaa, että jotkut mekaaniset komponentit tuotteessa saattavat sisältää lyijymetallia. Tämä on aineiden rajoittamista koskevan lainsäädännön mukaista ja perustuu RoHS-direktiivin (2011/65/EU) poikkeuksiin. Lyijymetalli ei vuoda eikä mutatoitu tuotteesta normaalin käytön aikana, ja lyijymetallipitoisuus valmiissa tuotteessa on huomattavasti alle sovellettavan kynnsarvon. Ota huomioon paikalliset vaatimukset lyijyn hävittämiselle tuotteen käyttöänsä lopussa.

Alueelliset vaatimukset

⚠ VAROITUS

Tuote voi altistaa käyttäjän kemikaaleille, kuten lyijylle, jonka Kalifornian osavaltiossa tiedetään aiheuttavan syöpää ja synnynnäisiä epämuodostumia tai muuta lisääntymishaittaa. Katso lisätietoja osoitteesta

<https://www.p65warnings.ca.gov/>

Turvallisuus

ÄLÄ HÄVITÄ – ANNETTAVA KÄYTTÄJÄLLE

⚠ VAROITUS Lue tämän sähkötyökalun mukana toimitetut kaikki turvallisuusvaroitukset, ohjeet, kuvaukset ja tekniset tiedot.

Jos kaikkia alapuolella kuvattuja ohjeita ei noudateta, seurauksena voi olla sähköisku, tulipalo ja/tai vakava henkilövahinko.

Säilytä kaikki varoitukset ja ohjeet myöhempää käyttöä varten.

⚠ VAROITUS Kaikkia paikallisia turvallisuusohjeita koskien asennusta, käyttöä ja huoltoa on aina noudatettava.

Käyttötiedote

- Vain ammattikäyttöön.
- Tätä tuotetta ja sen lisälaitteita ei saa muuttaa millään tavalla.
- Älä käytä tuotetta, jos se on vaurioitunut.
- Jos tuotteen tietojen tai vaarasta varoittavat kyltit eivät ole enää selvästi luettavissa tai irtoavat, ne on vaihdettava välittömästi.
- Vain pätevä henkilö saa asentaa, käyttää ja huoltaa tuotetta teollisuusympäristössä.

Tarkoituksenmukainen käyttö

Tämä laite on suunniteltu kierteitettyjen kiinnittimien asentamiseen puuhun, metalliin tai muoviin sekä irrottamiseen näistä materiaaleista.

Kaapeli- ja akkutyökalut: Vain sisäkäyttöön. Muu käyttö on kielletty.

Muiden kuin valmistajan alunperin toimittamien varaosien tai varusteiden käyttö saattaa aiheuttaa suorituskyvyn laskun ja ylläpidon tarpeen, melutason tai värinän lisääntymisen ja tämän seurauksena valmistajan vastuun täydellisen peruutuksen.

Tuotekohtaiset ohjeet

Käyttäminen

Ilmansyötön vaatimukset

1. Syötä työkaluun puhdasta, kuivaa ilmaa, 90 psig (6,3 bar). Korkeampi paine lyhentää työkalun ikää huomattavasti.
2. Liitä työkalun ilmansyöttö putkella, letkulla ja liittimillä, koot näkyvät *kaaviossa 3*.

Asennus/Käyttö

1. Liitä työkalu *kaavion 3* mukaisesti.
2. Käynnistä työkalu vetämällä turvaliipaisimesta (1) ja työntämällä kaasuvipua (2).
3. Lisää työkalun nopeutta lisäämällä painetta kaasuvivussa (2). *Katso kaavio 2*.
4. Vapauta kaasuvipu (1) pysäyttääksesi työkalun. *Katso kaavio 1*.

Pään asennon kääntäminen

Katso kaavio 4

1. Pysäytä työkalu.
2. Työnnä lukitushylsyä (1) eteenpäin.
3. Vaihda työkalun paikkaa ylös tai alas (2) tai takaisin normaaliin asentoon. *Katso kaavio 1*.
4. Työnnä lukitushylsyä (1) takaisin pään asennon lukitsemiseksi. *Katso kaavio 1*

VAROITUS

- ▶ Älä käynnistä työkalua, työkalun päätä ei ole lukittu.

Pyörimissuunnan vaihtaminen

Katso kaavio 5

1. Pysäytä työkalu.
2. Käännä nuppia (1) työkalun pään kääntämiseksi myötäpäivään tai vastapäivään.
3. Käynnistä työkalu uudelleen.

Työn päätyttyä

VAROITUS Pysähtymisaika voi olla 5 sekuntia pitempi.

- ▶ Varmista, että työkalu on sammutettu ja täysin pysähtynyt ennen sen laskemista alas.
- ▶ Pysähtymisaika riippuu käytetystä hiontamateriaalista.

Laita työkalu alas varovaisesti varmistaaksesi, että työkalu ei käynnisty itseksensä.

Huolto ja ylläpito

Voitelu

Käytä SAE #10 -öljyä ja ilmanvoitelijaa, joka on säädetty kahteen (2) pisaraan minuutissa.

Huolto-ohjeet

- **Noudata paikallisen maan ympäristömääräyksiä kaikkien komponenttien turvallista käsittelyä ja hävittämistä varten.**
- Ainoastaan pätevät henkilöt saavat suorittaa huolto- ja korjaustöitä, ja niissä tulee käyttää ainoastaan alkuperäisiä varaosia. Ota yhteys valmistajaan tai lähimpään valtuutettuun jälleenmyyjään, jos tarvitsit teknistä huoltoa koskevia neuvoja tai varaosia.
- Varmista aina, että laite on kytketty irti virtalähteestä, jottei laite käynnisty vahingossa.
- Pura ja tarkista työkalu kolmen kuukauden (500 tuntia) välein, jos sitä käytetään joka päivä. Vaihda vaurioituneet tai kuluneet osat.
- Seuraavaa huoltosarjaa suositellaan seisokkien minimoimiseen: **Vurityssarja**

Hävitys

- Maasi lainsäädäntöä tulee noudattaa laitteiston hävittämisessä.
- Kaikki vahingoittuneet, erittäin kuluneet tai viallisesti toimivat laitteet **TÄYTYY POISTAA KÄYTÖSTÄ**.

Yleiset turvamääräykset

Paineilmaan ja liitäntöihin liittyvät vaarat

- Paineilma voi aiheuttaa vakavia vammoja.
- Katkaise aina ilmansyöttö, poista paine putkistosta ja irrota työkalu ilmansyöttölähteestä, kun sitä ei käytetä, ennen lisävarusteiden vaihtamista tai tehtäessä korjauksia.
- Älä koskaan suuntaa paineilmaa itseäsi tai ketään muuta kohti.
- Hallitsemattomasti liikkuvat letkut voivat aiheuttaa vakavia vammoja. Tarkasta aina, että letkut ja liittimet ovat ehjiä ja tiukasti kiinni.
- Älä käytä pikaliitoksia. Lue asennusohjeet oikean asennuksen varmistamiseksi.
- Jos käytetään yleiskäyttöisiä kierrelitoksia, niihin on asennettava lukitustapit.
- Ilmanpaine ei saa ylittää 6,3 baaria (90 psig) tai työkalun tyyppikilvessä ilmoitettua painetta.

Kiinni takertumisen vaara

- Pysy loitolla pyörivästä käyttöpyörästä. Vaatteiden, käsineiden, korujen, solmion, huivin tai hiusten takertuminen työkaluun tai sen varusteisiin voi johtaa tukehtumiseen, päänahan irtoamiseen ja/tai syviin haavoihin.
- Käsineet voivat takertua pyöriin koneenosiin aiheuttaen sormien murtumisen tai katkeamisen.
- Kumipintaiset ja metallivahvisteiset käsineet takertuvat helposti pyörivän ulostulon hylsyihin tai jatkeisiin.
- Älä käytä väljiä käsineitä tai käsineitä, joiden sormiosat ovat kuluneet tai katkaistu irti.
- Älä koskaan pidä kiinni koneen mekaanisesta ulostulosta, hylsystä tai ulostulon jatkeesta.

Sinkoilevien kappaleiden aiheuttamat vaarat

- Käytä aina iskunkestäviä suojalaseja ja kasvosuojusta työkalun käyttö-, korjaus- ja huoltoalueella tai niiden läheisyydessä sekä osien vaihdon yhteydessä.
 - Varmista, että muut samalla alueella olevat käyttävät iskunkestäviä suojalaseja ja kasvosuojuksia. Pienetkin kappaleet voivat vaurioittaa silmiä ja aiheuttaa sokeutumisen.
 - Vakava vamma tai tapaturma voi aiheutua yli- tai alikiristetyistä kiinnikkeistä, jotka voivat rikkoutua tai löystyä ja irrota. Irronneet osat voivat sinkoutua ulos. Tiettyä vääntömomenttia vaativat asennukset täytyy tarkistaa käytämällä vääntömomentin mittaria.
- HUOMIO: Niin sanotut "klik"-momenttiavaimet eivät tarkista mahdollisesti vaarallisia ylikiristettyjä olosuhteita.
- Älä koskaan käytä työkalua sen ollessa irti kohteesta. Se voi pyöriä liian nopeasti ja lennättää varusteen irti työkalusta.
 - Varmista, että työstettävä kappale on kiinnitetty kunnolla.

Lisävarusteisiin liittyvät vaaratekijät

- Käytä ainoastaan asianmukaisia varusteiden kiinnittimiä (ks. osaluettelo). Käytä syviä hylsyjä aina kun mahdollista.
- Työkaluissa, joissa hylsyn kiinnitysjärjestelmä koostuu tapista ja O-renkaasta, O-rengasta on käytettävä pitämään hylsyn tappi kunnolla paikallaan.
- Käytä ainoastaan hyväkuntoisia iskuruuvinvääntimille tarkoitettuja hylsyjä ja varusteita. Käsivääntöiset hylsyt ja varusteet ja huonokuntoiset hylsyt voivat rikkoutua, jos niitä käytetään iskuruuvinvääntimissä ja sinkoutua suurella nopeudella.
- Käytä aina mahdollisimman yksinkertaista liitäntää. Pitkät, kimmoiset jatkeet ja sovittimet vähentävät tehoa ja voivat rikkoutua. Käytä syviä hylsyjä aina kun mahdollista.
- Älä kosketa hylsyjä tai lisävarusteita käytön aikana, koska se lisää viiltojen, palo- tai tärinävammojen riskiä.

Käyttövaarat

- Käyttäjien ja huoltajien on pystyttävä fyysisesti käsittelemään työkalun kokoa, painoa ja voimaa.
- Pitele työkalua oikein: ole valmis korjaamaan normaali tai äkkinäinen liike – pidä molemmat kädet valmiina.

- Älä käytä alhaisella paineella tai jos laite on kulunut: kytkin ei välttämättä toimi, jolloin työkalun kahva saattaa pyöriä äkillisesti.
- Pidä aina liipaisin hallinnassasi. Varo, ettet jää työkalun ja työstettävän kohteen väliin.

Toistuvien liikkeiden aiheuttamat vaarat

- Kun sähkötyökalua käytetään työtehtävissä, käyttäjä saattaa tuntea epämukavuutta käsissä, käsivarsissa, hartioissa, niskassa ja muissa kehonosissa.
- Työskentele miellyttävässä mutta tukevassa asennossa ja vältä hankalia työasentoja ja päatasapainoa. Asennon vaihto pidempään kestävässä tehtävässä voi auttaa välttämään epämukavuutta ja väsymistä.
- Älä jätä oireita huomioimatta, kuten jatkuvaa tai toistuvaa epämukavuutta, kipua, pakotusta, särkyä, pistelyä, tunnottomuutta, polttavaa tunnetta tai jäykkyyttä. Keskeytä työkalun käyttö, kerro siitä työnantajalle ja ota yhteys lääkäriin.

Melu- ja tärinävaarat

- Kovat äänet voivat aiheuttaa pysyviä kuulovaurioita ja muita ongelmia, kuten tinnitusta. Käytä työnantajan tai työterveys- ja työturvallisuusmääräysten suosittelemia kuulosuojaimia.
- Tärinälle altistuminen voi aiheuttaa vammauttavia vahinkoja hermoissa sekä käsien ja käsivarsien verenkierrossa. Pukeudu lämpimästi ja pidä kädet lämpiminä ja kuivina. Jos havaitset tunnottomuutta, pistelyä, kipua tai ihon kalpenemista, keskeytä työkalun käyttö, kerro siitä työnantajalle ja ota yhteys lääkäriin.
- Pidä työkalusta kiinni kevyesti mutta turvallisesti, sillä tärinästä aiheutuva riski on yleensä sitä voimakkaampaa, mitä kovemmalla voimalla työkalusta pidetään kiinni.
- Jos mahdollista, käytä tukivartta tai asenna sivukahva.
- Valitse, ylläpidä ja vaihda lisävarusteet ja kulutusosat/liitetyt työkalut ohjekirjan mukaan, jotta estät tarpeettoman tärinätasojen nousun.
- Älä käytä kuluneita tai huonosti sopivia ruuvinvääntimen teriä, hylsyjä tai jatkeita, koska se todennäköisesti aiheuttaa tärinän huomattavan lisääntymisen.

Työpaikkaan liittyvät vaarat

- Liukastuminen, kompastuminen tai kaatuminen voi johtaa vakavaan tapaturmaan tai kuolemaan. Varo lattialla tai työalustalla olevia letkuja.
- Vältä pölyn tai höyryjen hengittämistä ja työskentelyjätteiden käsittelemistä, jotka voivat aiheuttaa terveyshaittoja (esimerkiksi syöpää, vastasyntyneiden epämuodostumia, astmaa ja/tai ihotulehdusta (dermatiittia)). Käytä pölynpoistoa ja hengityssuojainta, kun työstettävistä materiaaleista irtoaa ilmaan hiukkasia.
- Jotkut hionnassa, sahauksessa, rouhinnassa, porauksessa ja muissa rakennustöissä syntyvät pölyt sisältävät kemikaaleja, jotka Kalifornian osavaltion mukaan aiheuttavat syöpää, synnynnäisiä epämuodostumia ja hedelmättömyyttä. Esimerkkejä tällaisista kemikaaleista:
 - lyijypohjaisista maaleista lähtöisin oleva lyijy
 - tiilistä, sementistä ja muista muurausaineista lähtöisin oleva kiteinen piidioksidi

- kemiallisesti käsitellystä kumista lähtöisin oleva arsenikki ja kromi.

Altistumisen riski näille kemikaaleille riippuu siitä, kuinka usein teet tämänkaltaista työtä. Voit vähentää altistumista näille kemikaaleille seuraavasti: työskentele hyvin tuuletetussa tilassa ja käytä hyväksytyjä suojavälineitä, kuten hengityssuojaimia, jotka suodattavat mikroskooppisen pienet hiukkaset.

- Noudata erityistä varovaisuutta vieraassa työympäristössä. Tiedosta työskentelyn mahdollisesti aiheuttamat vaaratilanteet. Työkalua ei ole eristetty suojaamaan sähkötapaturmilta sen koskettaessa sähkövirtalähteitä.
- Työkalua ei suositella käytettäväksi mahdollisesti räjähdyssaltauksissa ympäristössä.

📌 Turvallisuuteen liittyviä lisätietoja kannettavista paineilmatyökaluista:

- CAGI 2528 - B186.1, SAFETY CODE FOR PORTABLE AIR TOOLS (Paineilmatyökalujen turvallisuussäännöstö), saatavilla Global Engineering Documents -organisaatiosta osoitteesta <https://global.ihs.com/> tai numerosta +1 800 447-2273. Jos ANSI-standardien saanti osoittautuu vaikeaksi, ota yhteys ANSI:in osoitteessa <https://www.ansi.org/>

Hyödyllistä tietoa

Alkuperäismaa

Taiwan

Verkkosivusto

Tietoa yrityksemme tuotteista, lisälaitteista, varaosista ja julkaisuista on Rodcraft -sivustolla.

Käy osoitteessa: www.rodcraft.com.

Käyttöturvallisuustiedote

Käyttöturvallisuustiedote kuvaa Rodcraftin myymiä kemikaalituotteita.

Katso lisätietoja Rodcraftin verkkosivustolta qr.cp.com/sds.

Copyright

© Copyright 2023, Desoutter GmbH, Edmund-Seng-Str. 3-5, 63477 Maintal, Germany

Kaikki oikeudet pidätetään. Sisällön tai sen osan luvaton käyttö tai kopiointi on kielletty. Se koskee erityisesti tavaramerkkejä, mallinimityksiä, osanumeroita ja piirustuksia. Käytä vain hyväksytyjä varaosia. Takuu tai tuotevastuu ei korvaa mitään vaurioita tai toimintahäiriöitä, jotka johtuvat luvattomien varaosien käytöstä.

Δηλώσεις

Δήλωση Συμμόρφωσης ΕΕ

Εμείς, η **Desoutter GmbH**, Edmund-Seng-Str. 3-5, 63477 Maintal, Germany, δηλώνουμε με αποκλειστική μας ευθύνη ότι το προϊόν (με όνομα, τύπο και σειριακό αριθμό, βλ. εξώφυλλο) συμμορφώνεται με την ακόλουθη(ες) Οδηγία (-ες):

2006/42/EC (17/05/2006)

Ισχύοντα εναρμονισμένα πρότυπα:

EN 11148-6:2013

Οι αρχές μπορούν να ζητήσουν τις σχετικές τεχνικές πληροφορίες από:
Pascal Roussy, R&D Manager, Ets Georges Renault, 38 rue Bobby Sands, BP10273 44818 Saint Herblain, France

Saint-Herblain, 2023/02/07

Pascal ROUSSY



Υπογραφή

Έγγραφο δήλωση επιπέδου θορύβου & δόνησεων

- Στάθμη ηχητικής πίεσης 84.8 dB(A), αβεβαιότητα 3 dB(A), σύμφωνα με το ISO 15744.
- Στάθμη ηχητικής πίεσης 95.8 dB(A), αβεβαιότητα 3 dB(A), σύμφωνα με το ISO 15744.
- Συνολική τιμή δόνησης 13.08 m/s², αβεβαιότητα 1.63 m/s², σύμφωνα με το ISO-28927-2.

Αυτές οι δηλωθείσες τιμές προέκυψαν από δοκιμές τύπου εργαστηρίου σύμφωνα με τα αναφερόμενα πρότυπα και είναι κατάλληλες για σύγκριση με τις δηλωθείσες τιμές άλλων εργαλείων που δοκιμάστηκαν σύμφωνα με τα ίδια πρότυπα. Το επίπεδο εκπομπών δόνησεων μπορεί να χρησιμοποιηθεί για μια προκαταρκτική εκτίμηση της έκθεσης. Αυτές οι δηλωθείσες τιμές δεν είναι επαρκείς για χρήση σε εκτιμήσεις κινδύνου και οι τιμές που μετρώνται σε μεμονωμένους χώρους εργασίας ενδέχεται να είναι υψηλότερες. Οι πραγματικές τιμές έκθεσης και ο κίνδυνος βλάβης που αντιμετωπίζει ένας μεμονωμένος χρήστης είναι μοναδικές και εξαρτώνται από τον τρόπο εργασίας του χρήστη, το αντικείμενο εργασίας και το σχεδιασμό του σταθμού εργασίας, καθώς και από το χρόνο έκθεσης και τη φυσική κατάσταση του χρήστη.

Εμείς, η **Desoutter GmbH**, ουδεμία ευθύνη φέρουμε όσον αφορά τις συνέπειες της χρήσης των δηλωμένων τιμών, αντί των τιμών που αντικατοπτρίζουν την πραγματική έκθεση, για την αξιολόγηση κινδύνων σε χώρο εργασίας ο οποίος δεν βρίσκεται υπό τον έλεγχό μας.

Αυτό το εργαλείο μπορεί να προκαλέσει σύνδρομο χειρός-βραχίονα οφειλόμενο στους κραδασμούς αν δεν γίνει σωστή χρήση του. Μπορείτε να βρείτε έναν οδηγό της ΕΕ για τη διαχείριση των δόνησεων χειριού-βραχίονα μεταβαίνοντας στη διεύθυνση <http://www.pneurop.eu/index.php> και επιλέγοντας "Tools" (Εργαλεία) και κατόπιν "Legislation" (Νομοθεσία).

Συνιστούμε την τήρηση προγράμματος ιατρικής παρακολούθησης, για να αναγνωρίζονται τυχόν αρχικά συμπτώματα που ενδέχεται να σχετίζονται με την έκθεση σε δονήσεις, έτσι ώστε να είναι δυνατή η τροποποίηση των διαδικασιών διαχείρισης και να αποτρέπεται η πρόκληση μελλοντικών σωματικών βλαβών.

- i** Αυτός ο εξοπλισμός προορίζεται για χρήση με σταθερές εφαρμογές:
Οι εκπομπές θορύβου παρέχονται στον υπεύθυνο για το στήσιμο του μηχανήματος, ως οδηγός. Τα στοιχεία εκπομπών θορύβου και δονήσεων για το μηχάνημα στην ολοκληρωμένη μορφή του θα πρέπει να παρέχονται στο εγχειρίδιο οδηγιών του μηχανήματος.

Πληροφορίες σχετικά με το Άρθρο 33 του κανονισμού REACH

Ο Ευρωπαϊκός Κανονισμός (ΕΕ) αριθ. 1907/2006 για την καταχώριση, την αξιολόγηση, την αδειοδότηση και τον περιορισμό των χημικών προϊόντων (REACH) ορίζει, μεταξύ άλλων, απαιτήσεις σχετικά με την επικοινωνία στην αλυσίδα εφοδιασμού. Η απαίτηση πληροφοριών ισχύει και για προϊόντα που περιέχουν τις λεγόμενες Άκρως Ανησυχαστικές Ουσίες («Κατάλογος Υποψηφίων»). Στις 27 Ιουνίου 2018 προστέθηκε στον Κατάλογο Υποψηφίων ο μεταλλικός μόλυβδος (CAS αριθ. 7439921).

Σύμφωνα με τα ως άνω αναφερόμενα, αυτό σας ενημερώνει ότι ορισμένα μηχανικά εξαρτήματα στο προϊόν ενδέχεται να περιέχουν μεταλλικό μόλυβδο. Αυτό συμμορφώνεται με την ισχύουσα νομοθεσία περί περιορισμού ουσιών και βασίζεται σε νόμιμες εξαιρέσεις στην οδηγία RoHS (2011/65 / ΕΕ). Κατά τη διάρκεια της κανονικής χρήσης, ο μεταλλικός μόλυβδος δεν θα διαρρεύσει ή θα μεταλλαχθεί από το προϊόν και η συγκέντρωση του μεταλλικού μολύβδου στο πλήρες προϊόν είναι πολύ κάτω από το ισχύον όριο. Λάβετε υπόψη τις τοπικές απαιτήσεις σχετικά με τη διάθεση του μολύβδου στο τέλος του κύκλου ζωής του.

Περιφερειακές απαιτήσεις

⚠ ΠΡΟΕΙΔΟΠΟΙΗΣΗ

Αυτό το προϊόν μπορεί να σας εκθέσει σε χημικές ουσίες, συμπεριλαμβανομένου του μολύβδου, ο οποίος είναι γνωστός στην πολιτεία της Καλιφόρνιας ότι προκαλεί καρκίνο και γενετικές ανωμαλίες ή άλλη αναπαραγωγική βλάβη. Για περισσότερες πληροφορίες επισκεφθείτε την ιστοσελίδα

<https://www.p65warnings.ca.gov/>

Ασφάλεια

Μην απορρίπτετε - δώστε στο χρήστη

⚠ ΠΡΟΕΙΔΟΠΟΙΗΣΗ Διαβάστε όλες τις προειδοποιήσεις ασφαλείας, τις οδηγίες, τα γραφικά και τις προδιαγραφές που συνοδεύουν αυτό το ηλεκτρικό εργαλείο.

Η μη τήρηση όλων των οδηγιών που αναφέρονται παρακάτω μπορεί να προκαλέσει ηλεκτροπληξία, πυρκαγιά ή/και σοβαρό τραυματισμό.

Φυλάξτε όλες τις προειδοποιήσεις και τις οδηγίες για να ανατρέξετε μελλοντικά σε αυτές.

⚠ ΠΡΟΕΙΔΟΠΟΙΗΣΗ Όλοι οι τοπικά θεσμοθετημένοι κανόνες ασφαλείας σχετικά με την εγκατάσταση, τη λειτουργία και τη συντήρηση, πρέπει να τηρούνται συνεχώς.

Δήλωση Χρήσης

- Αποκλειστικά για επαγγελματική χρήση.
- Αυτό το προϊόν και τα εξαρτήματά του δεν πρέπει να τροποποιηθούν με κανένα τρόπο.
- Μην χρησιμοποιείτε αυτό το προϊόν εάν έχει υποστεί ζημιά.
- Εάν τα δεδομένα του προϊόντος ή οι προειδοποιητικές ενδείξεις κινδύνου στο προϊόν παύσουν να είναι ευανάγνωστες ή αποσυνδεδεμένες, αντικαταστήστε χωρίς καθυστέρηση.
- Το προϊόν πρέπει να εγκαθίσταται, να λειτουργεί και να συντηρείται μόνο από πρόσωπα με τα κατάλληλα προσόντα σε βιομηχανικό περιβάλλον συναρμολόγησης.

Προβλεπόμενη χρήση

Το παρόν προϊόν σχεδιάστηκε για την τοποθέτηση και την αφαίρεση συνδετήρων με σπειρώματα σε ξύλο, μέταλλο ή πλαστικό.

Εργαλεία καλωδίων και μπαταρίας: Μόνο για εσωτερική χρήση. Δεν επιτρέπεται άλλη χρήση.

Η χρήση ανταλλακτικών ή εξαρτημάτων διαφορετικών από εκείνα που παρέχονται αρχικά από τον κατασκευαστή μπορεί να οδηγήσει σε πτώση της απόδοσης και σε αυξημένη συντήρηση, επίπεδο θορύβου ή κραδασμούς και ως αποτέλεσμα την πλήρη ακύρωση της ευθύνης του κατασκευαστή.

Ειδικές οδηγίες προϊόντος

Λειτουργία

Απαιτήσεις παροχής αέρα

1. Παροχή καθαρού, ξηρού αέρα με μέγιστη πίεση 6,3 bar (90 psi) στο εργαλείο. Η υψηλότερη πίεση μειώνει δραστικά τη διάρκεια ζωής του εργαλείου.
2. Συνδέστε το εργαλείο στην αεροπορική γραμμή χρησιμοποιώντας τα μεγέθη σωλήνων, εύκαμπτων σωλήνων και εξαρτημάτων που φαίνονται στην *εικόνα 3*.

Εγκατάσταση / Λειτουργία

1. Συνδέστε το εργαλείο όπως φαίνεται στην *εικόνα 3*.

2. Για να εκκινήσετε το εργαλείο, τραβήξτε το μοχλό ασφαλείας (1) και πιέστε το μοχλό γκαζιού (2).
3. Αυξήστε την ταχύτητα του εργαλείου αυξάνοντας την πίεση στο μοχλό ισχύος (2). *Ανατρέξτε στην εικόνα 2.*
4. Απελευθερώστε το μοχλό ισχύος (1) για να σταματήσετε το εργαλείο. *Ανατρέξτε στην εικόνα 1.*

Στροφή θέσης κεφαλής

Ανατρέξτε στην εικόνα 4.

1. Σταματήστε το εργαλείο.
2. Σπρώξτε προς τα εμπρός το κάλυμμα ασφάλισης (1).
3. Αλλάξτε τη θέση της κεφαλής του εργαλείου προς τα πάνω ή προς τα κάτω (2) ή επιστρέψτε στην κανονική θέση. *Ανατρέξτε στην εικόνα 1.*
4. Σπρώξτε προς τα πίσω το χιτώνιο ασφάλισης (1) για να ασφαλίσετε τη θέση της κεφαλής. *Ανατρέξτε στο σχήμα 1*

⚠ ΠΡΟΕΙΔΟΠΟΙΗΣΗ

- ▶ Μην ξεκινάτε το εργαλείο, εάν η κεφαλή του εργαλείου δεν είναι ασφαλισμένη.

Αλλαγή της κατεύθυνσης περιστροφής

Ανατρέξτε στην εικόνα 5.

1. Σταματήστε το εργαλείο.
2. Περιστρέψτε το κουμπί (1) για να περιστρέψετε την κεφαλή του εργαλείου δεξιόστροφα ή αριστερόστροφα.
3. Εκκινήστε εκ νέου το εργαλείο.

Μετά την ολοκλήρωση της εργασίας

⚠ ΠΡΟΕΙΔΟΠΟΙΗΣΗ Ο χρόνος διακοπής λειτουργίας ενδέχεται να είναι πάνω από 5 δευτερόλεπτα.

- ▶ Βεβαιωθείτε ότι το εργαλείο είναι απενεργοποιημένο και ότι έχει έχει σταματήσει τελείως πριν να το αφήσετε κάτω.
- ▶ Ο χρόνος διακοπής εξαρτάται από το λειαντικό που χρησιμοποιείται.

Κατεβάστε το εργαλείο προσεκτικά για να βεβαιωθείτε ότι το εργαλείο δεν θα ξεκινήσει μόνο του/από μόνο του.

Διατήρηση και Συντήρηση

Λίπανση

Χρησιμοποιήστε μια γραμμή αέρα λιπαντικού με SAE #10 λάδι, ρυθμισμένο σε δύο (2) σταγόνες ανά λεπτό.

Οδηγίες συντήρησης

- Για τον ασφαλή χειρισμό και την απόρριψη όλων των εξαρτημάτων, ακολουθήστε τους τοπικούς περιβαλλοντικούς κανονισμούς της χώρας.
- Εργασίες συντήρησης και επισκευών πρέπει να διεξάγονται αποκλειστικά από καταρτισμένο προσωπικό με τη χρήση μόνο γνήσιων ανταλλακτικών. Επικοινωνήστε με τον κατασκευαστή ή τον πλησιέστερο εξουσιοδοτημένο αντιπρόσωπό της περιοχής σας για οδηγίες σχετικά με την τεχνική συντήρηση ή αν χρειάζεστε ανταλλακτικά.

- Να βεβαιώνετε πάντοτε ότι η συσκευή είναι αποσυνδεδεμένη από την πηγή παροχής ενέργειας, για να αποφύγετε την ακούσια λειτουργία.
- Αποσυναρμολογείτε και επιθεωρείτε το εργαλείο ανά 3 μήνες (500 ώρες), αν το εργαλείο χρησιμοποιείται καθημερινά. Αντικαταστήστε κατεστραμμένα ή φθαρμένα εξαρτήματα.
- Για να διατηρείτε το χρόνο εκτός λειτουργίας στο ελάχιστο, σας συνιστούμε το παρακάτω kit ρύθμισης: **Kit ρύθμισης**

Απόρριψη

- Για την απόρριψη αυτού του εξοπλισμού πρέπει να τηρείται η νομοθεσία της εκάστοτε χώρας.
- Όλες οι συσκευές που έχουν υποστεί ζημιά, μεγάλης έκτασης φθορά ή που δεν λειτουργούν σωστά **ΠΡΕΠΕΙ ΝΑ ΤΙΘΕΝΤΑΙ ΕΚΤΟΣ ΛΕΙΤΟΥΡΓΙΑΣ.**

Γενικές Οδηγίες για την Ασφάλεια

Παροχή αέρα και κίνδυνοι σύνδεσης

- Ο πεπιεσμένος αέρας μπορεί να προκαλέσει σοβαρό τραυματισμό.
- Κλείνετε πάντοτε την παροχή αέρα, αποστραγγίστε τον εύκαμπτο σωλήνα από πεπιεσμένο αέρα και αποσυνδέστε το εργαλείο από την παροχή αέρα όταν δεν το χρησιμοποιείτε, πριν να αλλάξετε εξαρτήματα ή όταν πραγματοποιείτε επισκευές.
- Ποτέ μην κατευθύνετε αέρα επάνω σε εσάς ή σε οποιονδήποτε άλλο.
- Οι εκτινασόμενοι σωλήνες μπορούν να προκαλέσουν σοβαρό τραυματισμό. Ελέγχετε πάντοτε για εύκαμπτους σωλήνες και συνδέσμους με ζημιά ή χαλάρωση.
- Μην χρησιμοποιείτε συνδέσμους γρήγορης αποσύνδεσης σε αυτό το εργαλείο. Για σωστή ρύθμιση, ανατρέξτε στις οδηγίες.
- Όταν χρησιμοποιείτε διαρθρωτούς συνδέσμους συστροφής, θα πρέπει να εγκαθιστάτε πείρους ασφαλείας.
- Μην υπερβαίνετε τη μέγιστη πίεση αέρα 6,3 bar / 90 psig, ή εκείνη που ορίζεται στην πινακίδα στοιχείων του εργαλείου.

Κίνδυνοι εμπλοκής

- Μην πλησιάζετε στον περιστρεφόμενο μηχανισμό κίνησης. Είναι δυνατό να επέλθει πνιγμός, αφαίρεση τριχωτού της κεφαλής ή/ και σχισίματα αν χαλαρά ρούχα, γάντια, κοσμήματα, κολιέ και μαλλιά δε διατηρηθούν μακριά από το εργαλείο και τα εξαρτήματά του.
- Τα γάντια μπορούν να εμπλακούν στον περιστρεφόμενο οδηγό, προκαλώντας αποκοπή ή σπάσιμο δακτύλων.
- Οι περιστρεφόμενες κινούμενες υποδοχές ή προεξοχές είναι δυνατό να γραπώσουν εύκολα τα γάντια με ελαστική επένδυση ή μεταλλική ενίσχυση.
- Μην φοράτε χαλαρά γάντια ή γάντια με κομμένα ή ξεφτισμένα δάχτυλα.
- Μην κρατάτε ποτέ τον οδηγό, την υποδοχή ή την προεξοχή του οδηγού.

Κίνδυνοι από θραύσματα

- Φοράτε πάντα γυαλιά και μάσκα προσώπου ανθεκτικά σε κρούσεις όταν συμμετέχετε στη λειτουργία ή είστε κοντά σε λειτουργίες επισκευών ή συντήρησης του εργαλείου, ή όταν αντικαθιστάτε παρελκόμενα στο εργαλείο. Συνιστώνται γάντια και προστατευτικός ρουχισμός.
- Βεβαιωθείτε ότι όλα τα υπόλοιπα άτομα στο χώρο φορούν ανθεκτικό στην κρούση προστατευτικό εξοπλισμό για τα μάτια και το πρόσωπο. Ακόμη και μικρά θραύσματα μπορούν να τραυματίσουν τα μάτια και να προκαλέσουν τύφλωση.
- Μπορεί να συμβεί σοβαρός τραυματισμός από υπερβολικά σφιγμένους ή ελάχιστα σφιγμένους συνδετήρες, οι οποίοι μπορούν να ραγίσουν, να χαλαρώσουν ή να χωριστούν στη μέση. Τυχόν απελευθερωμένα συγκροτήματα μπορεί να εκτοξευτούν. Τα συστήματα που απαιτούν σύσφιξη σε συγκεκριμένη τιμή ροπής στρέψης, πρέπει να ελέγχονται με τη βοήθεια δυναμομετρικού κλειδιού.
ΣΗΜΕΙΩΣΗ Τα δυναμομετρικά κλειδιά τύπου «κλικ» δεν ελέγχουν για ενδεχομένως επικίνδυνες καταστάσεις υπερβολικής σύσφιξης.
- Μη θέτετε ποτέ το εργαλείο σε λειτουργία δεν είναι σε επαφή με το τεμάχιο εργασίας. Μπορεί να λειτουργήσει υπερβολικά γρήγορα και να προκαλέσει εκτόξευση του παρελκόμενου από το εργαλείο.
- Φροντίστε το αντικείμενο εργασίας να στερεώνεται με ασφάλεια.

Κίνδυνοι που σχετίζονται με τα εξαρτήματα

- Χρησιμοποιείτε μόνο κατάλληλα εξαρτήματα συγκράτησης (δείτε τον κατάλογο των υλικών). Χρησιμοποιείτε βαθιές υποδοχές όποτε είναι δυνατόν.
- Για εργαλεία που χρησιμοποιούν το σύστημα συγκράτησης με πείρο και δακτύλιο O, χρησιμοποιήστε το δακτύλιο O για να συγκρατήσετε με ασφάλεια το ούπο.
- Χρησιμοποιείτε μόνο υποδοχές και παρελκόμενα κρουστικών κλειδιών που είναι σε καλή κατάσταση. Υποδοχές ή υποδοχές χειρός και παρελκόμενα σε όχι καλή κατάσταση που χρησιμοποιούνται με κρουστικά κλειδιά μπορεί να υποστούν θραύση και να γίνουν βλήμα.
- Χρησιμοποιείτε πάντα το απλούστερο δυνατό άγκιστρο. Ράβδοι επέκτασης με μεγάλο μήκος, ή ευλύγιστες ράβδοι και προσαρμογείς, απορροφούν την ισχύ της κρούσης και μπορεί να υποστούν θραύση. Χρησιμοποιείτε βαθιές υποδοχές όποτε είναι δυνατόν.
- Μην αγγίζετε πρίζες ή εξαρτήματα κατά τη λειτουργία, καθώς αυτό αυξάνει τον κίνδυνο κοψίματος, εγκαυμάτων ή τραυματισμών από κραδασμούς.

Κίνδυνοι χειρισμού

- Οι χειριστές και το προσωπικό συντήρησης πρέπει να είναι φυσικά ικανό να χειρίζεται τον όγκο, βάρος και δύναμη του εργαλείου.
- Να κρατάτε το εργαλείο σωστά: να είστε έτοιμοι να αντισταθμίσετε τις φυσιολογικές ή τις ξαφνικές μετακινήσεις - έχετε ελεύθερα και τα δύο σας χέρια.

- Να μην χρησιμοποιείτε με μειωμένη πίεση αέρα ή σε φθαρμένη κατάσταση. ενδέχεται να μη λειτουργήσει ο συμπλέκτης, προκαλώντας απότομη περιστροφή της λαβής του εργαλείου.
- Διατηρείτε πάντα έλεγχο της ισχύος λειτουργίας. Προσέχετε ώστε να μην πιαστεί μέρος του σώματός σας μεταξύ του εργαλείου και του τεμαχίου εργασίας.

Κίνδυνοι από επαναλαμβανόμενη κίνηση

- Όταν χρησιμοποιείτε ένα εργαλείο για την εκτέλεση δραστηριοτήτων που σχετίζονται με την εργασία, ο χειριστής είναι δυνατό να νιώσει δυσκολία στα χέρια, τους βραχίονες, τους ώμους, τον αυχένα ή σε άλλες περιοχές του σώματος.
- Λάβετε άνετη στάση σώματος, πατώντας καλά στο έδαφος και αποφεύγοντας τις αδέξιες κινήσεις ή την απώλεια της ισορροπίας. Η εναλλαγή στάσεων κατά τις εργασίες με μεγάλη διάρκεια μπορεί να σας βοηθήσει να αποφύγετε την αίσθηση δυσκολίας και κόπωσης.
- Μην αγνοήσετε συμπτώματα, όπως την επίμονη ή επαναλαμβανόμενη δυσκολία, τρεμούλα, πιάσιμο, μυρμηκίαση, μούδιασμα, κάψιμο ή πιάσιμο. Σταματήστε τη χρήση του εργαλείου, ενημερώστε τον εργοδότη σας και ζητήστε ιατρική συμβουλή.

Κίνδυνοι από το θόρυβο και τις δονήσεις

- Οι υψηλές στάθμες θορύβων μπορεί να προκαλέσουν μόνιμη απώλεια ακοής και άλλα προβλήματα, όπως εμβόες. Χρησιμοποιείτε προστατευτικά για τα αυτιά όπως συνιστάται από τον εργοδότη σας ή τους κανονισμούς υγείας και ασφαλείας του χώρου εργασίας.
- Η έκθεση σε δονήσεις μπορεί να προκαλέσει βλάβες στο νευρικό σύστημα και στην παροχή αίματος στα χέρια και τα μπράτσα. Φοράτε ζεστά ρούχα και διατηρείτε τα χέρια σας ζεστά και στεγνά. Εάν παρουσιαστεί μούδιασμα, μυρμηκίαση ή άσπρισμα του χρώματος του δέρματος, σταματήστε τη χρήση του εργαλείου, ενημερώστε τον εργοδότη σας και συμβουλευτείτε έναν ιατρό.
- Κρατάτε το εργαλείο με ελαφριά αλλά ασφαλή λαβή, επειδή ο κίνδυνος από τη δόνηση είναι γενικά μεγαλύτερος όσο μεγαλύτερη είναι η δύναμη της λαβής.
- Αν είναι δυνατό, χρησιμοποιήστε ένα βραχίονα ανάρτησης ή τοποθετήστε μία πλαϊνή λαβή.
- Επιλέξτε, συντηρήστε και αντικαταστήστε τα εξαρτήματα και το αναλώσιμο/τοποθετημένο εργαλείο σύμφωνα με το εγχειρίδιο οδηγιών, για να αποτρέψετε την άσκοπη αύξηση των επιπέδων δονήσεων.
- Μην χρησιμοποιείτε φθαρμένα ή κακώς τοποθετημένα μύτες κατσαβιδιού, υποδοχές ή προεκτάσεις, καθώς αυτό είναι πιθανό να προκαλέσει σημαντική αύξηση των δονήσεων.

Κίνδυνοι στο χώρο εργασίας

- Ολισθήσεις (γλιστρήματα) / σκουντουφλήματα / πτώσεις, αποτελούν κύριες αιτίες σοβαρού τραυματισμού ή θανάτου. Προσέχετε τον περισσευούμενο εύκαμπτο σωλήνα που αφήνεται στην επιφάνεια βάδισης ή εργασίας.
- Μην εισπνέετε σκόνη ή αναθυμιάσεις και μην χειρίζεστε απόβλητα της διαδικασίας εργασίας, τα οποία είναι δυνατό να προκαλέσουν προβλήματα υγείας (π.χ. καρκίνο, συγγενείς ανωμαλίες, άσθμα ή/ και

δερματίτιδες). Χρησιμοποιήστε εξοπλισμό εξώθησης σκόνης και προστατευτικό αναπνευστικό εξοπλισμό όταν εργάζεστε με υλικά τα οποία παράγουν αερομεταφερόμενα σωματίδια.

- Η σκόνη που παράγεται από αμμοβολή, πρίονισμα, λείανση (τρόχισμα), διάτρηση και άλλες κατασκευαστικές δραστηριότητες με ηλεκτρικά ή πνευματικά εργαλεία περιέχει χημικές ουσίες γνωστές στην Πολιτεία της Καλιφόρνια για πρόκληση καρκίνου ή γενετικών ανωμαλιών (συγγενών διαμαρτιών διαπλάσεων) ή άλλες αναπαραγωγικές βλάβες. Ορισμένα παραδείγματα αυτών των χημικών ουσιών είναι τα εξής:

- Μόλυβδος από βαφές με βάση μόλυβδο
- Τούβλα κρυσταλλικής σιλικόνης και τιμέντου καθ άλλα προϊόντα τοιχοποιίας
- Αρσενικό και χρώμιο από χημικά επεξεργασμένο καουτσούκ

Ο κίνδυνος που διατρέχετε από αυτές τις εκθέσεις ποικίλει, ανάλογα με το πόσο συχνά κάνετε αυτό τον τύπο εργασίας. Για τη μείωση της έκθεσής σας σ' αυτές τις χημικές ουσίες: εργάζεστε σε καλά αεριζόμενο χώρο και εργάζεστε με εγκεκριμένο εξοπλισμό ασφαλείας, όπως με μάσκες για τη σκόνη που είναι ειδικά σχεδιασμένες να φιλτράρουν μικροσκοπικά σωματίδια.

- Συνεχίστε με προσοχή σε περιβάλλοντα με τα οποία δεν είστε εξοικειωμένος/η. Να έχετε επίγνωση των ενδεχόμενων κινδύνων που δημιουργούνται από την εργασιακή σας δραστηριότητα. Αυτό το εργαλείο δεν είναι μονωμένο για περιπτώσεις επαφής με πηγές ηλεκτρικής ενέργειας.
- Αυτό το εργαλείο δεν συνιστάται για χρήση σε δυνητικά εκρηκτικές ατμόσφαιρες.

i Πρόσθετες πληροφορίες ασφαλείας σχετικά με φορητά αεροεργαλεία:

- CAGI 2528 - B186.1, ΚΩΔΙΚΟΣ ΑΣΦΑΛΕΙΑΣ ΓΙΑ ΑΕΡΟΕΡΓΑΛΕΙΑ, διαθέσιμο από τα Παγκόσμια Έγγραφα Μηχανικής στη διεύθυνση <https://global.ihs.com/> ή τηλεφωνήστε στο +1 800 447-2273. Στην περίπτωση που δεν μπορείτε να βρείτε τα πρότυπα ANSI, επικοινωνήστε με την ANSI μέσω της ηλεκτρονικής διεύθυνσης <http://www.ansi.org/>

Χρήσιμες πληροφορίες

Χώρα προέλευσης

Taiwan

Διαδικτυακός τόπος

Πληροφορίες σχετικά με τα Προϊόντα, τα Εξαρτήματά, τα Ανταλλακτικά και τα Δημοσιευμένα θέματα μας βρίσκονται στον ιστότοπο Rodcraft .

Παρακαλούμε επισκεφθείτε: www.rodcraft.com.

Δελτίο δεδομένων ασφαλείας

Τα δελτία δεδομένων ασφαλείας περιγράφουν τα χημικά προϊόντα που πωλούνται από την Rodcraft.

Ανατρέξτε στον Rodcraft ιστότοπο για περισσότερες πληροφορίες qr.cp.com/sds.

Πνευματικά δικαιώματα

© Copyright 2023, Desoutter GmbH, Edmund-Seng-Str. 3-5, 63477 Maintal, Germany

Με την επιφύλαξη παντός δικαιώματος. Απαγορεύεται κάθε μη εξουσιοδοτημένη χρήση ή αντιγραφή των περιεχομένων ή μέρους τους. Αυτό ισχύει ιδίως για τα εμπορικά σήματα, τις επωνυμίες μοντέλων, τους αριθμούς ανταλλακτικών και τα σχεδιαγράμματα. Χρησιμοποιείτε μόνο εγκεκριμένα ανταλλακτικά. Οποιαδήποτε ζημιά ή δυσλειτουργία λόγω μη εγκεκριμένων ανταλλακτικών δεν καλύπτεται από την Εγγύηση ή την Ευθύνη Προϊόντος.

Deklarationer

EU-försäkran om överensstämmelse

Vi, **Desoutter GmbH**, Edmund-Seng-Str. 3-5, 63477 Maintal, Germany, försäkrar under eget ansvar att produkten (med namn, typ och serienummer, se framsida) uppfyller följande direktiv:



2006/42/EC (17/05/2006)

Tillämpade harmoniserade standarder:

EN 11148-6:2013

Myndigheter kan begära relevant teknisk information från:

Pascal Roussy, R&D Manager, Ets Georges Renault, 38 rue Bobby Sands, BP10273 44818 Saint Herblain, France

Saint-Herblain, 2023/02/07

Pascal ROUSSY

Underskrift

Meddelande om buller och vibrationer

- Ljudtrycksnivå 84.8 dB(A), osäkerhet 3 dB(A), i enlighet med ISO 15744.
- Ljudnivå 95.8 dB(A), osäkerhet 3 dB(A), i enlighet med ISO 15744.
- Totalt vibrationsvärde 13.08 m/s², osäkerhet 1.63 m/s², i enlighet med ISO-28927-2.

Dessa deklarerade värden har erhållits genom laboratorietester i enlighet med angivna direktiv eller standarder och är lämpliga att jämföra med deklarerade värden för andra maskiner som har genomgått provning i enlighet med samma direktiv eller standarder. Den angivna nivån av vibrationsutsläpp kan användas till en preliminär bedömning av exponering. Värdena kan inte användas för riskbedömning och värden som uppmäts på enskilda arbetsplatser kan vara högre. De faktiska exponeringsvärdena och de skaderisker en enskild användare utsätts för är unika och beror på personens arbetssätt, arbetsstycket, arbetsstationens utformning samt användarens exponeringstid och fysiska kondition.

Vi, **Desoutter GmbH**, kan inte hållas ansvarsskyldiga för konsekvenserna av att använda de angivna värdena istället för värden som återspeglar den faktiska exponeringen vid en individuell riskbedömning på en arbetsplats där vi inte har någon kontroll.

Detta verktyg kan orsaka syndromet hand-armvibrationer om det inte används korrekt. En EU-guide för hantering av hand- och armvibrationer återfinns på webbplatsen <http://www.pneurop.eu/index.php> varefter du väljer Verktyg och sedan Lagstiftning.

För att förebygga eventuella framtida åkommor rekommenderar vi att hälsokontroller genomförs för att upptäcka tidiga symptom som kan bero på vibrationsrelaterade arbetsuppgifter, samt att rutiner införs för att begränsa dessa.

i Om denna utrustning är avsedd för fixturmonterade system:

Ljudemissionerna anges som vägledning för maskinbyggaren. Ljud- och vibrationsemissionsdata för hela maskinen skall anges i instruktionshandboken till maskinen.

Information om Artikel 33 i REACH

EU-förordning (EG) nr 1907/2006 om registrering, utvärdering, godkännande och begränsning av kemikalier (REACH) anger bland annat krav rörande kommunikation i leveranskedjan. Informationskraven gäller även för produkter som innehåller så kallade Särskilt farliga ämnen ("Kandidatförteckningen"). Den 27 juni 2018 blev blymetall (CAS-nr. 7439-92-1) tillagt i Kandidatförteckningen.

I enlighet med informationen ovan har detta meddelande som syfte att informera dig om att vissa mekaniska komponenter i produkten kan innehålla blymetall. Detta är i enlighet med rådande begränsningslagar för specifika ämnen och baseras på undantag i RoHS-förordningen (2011/65/EU). Blymetall kommer inte att läcka eller förändras från eller i produkten vid normal användning och koncentrationen blymetall i den färdiga produkten ligger långt under gällande gränsvärden. Kom ihåg att kontrollera lokala krav för bly när produkten ska avfallshanteras.

Regionala krav

⚠ VARNING

Denna produkt kan utsätta dig för kemikalier inklusive bly, som är känd för staten Kalifornien för att orsaka cancer och fosterskador och annan reproduktiv skada. För mer information gå in på

<https://www.p65warnings.ca.gov/>

Säkerhet

KASSERA EJ – GE TILL ANVÄNDAREN

⚠ VARNING Läs alla säkerhetsföreskrifter, instruktioner, illustrationer och specifikationer som hör till elverktyget.

Underlåtenhet att följa alla angivna instruktioner kan leda till elektrisk stöt, eldsvåda och/eller svåra personskador.

Spara alla varningar och instruktioner för framtida bruk.

⚠ VARNING Alla lokala säkerhetsföreskrifter avseende installation, drift och underhåll skall alltid åtföljas.

Användningsintyg

- Endast för yrkesmässigt bruk.
- Denna produkt och medföljande tillbehör får inte modifieras på något sätt.
- Använd inte denna produkt om den har skadats.
- Om produktuppgifterna eller varningsskyltarna på produkten inte är läsbara eller lossnar ska de bytas omedelbart.
- Produkten får endast installeras, användas och servas av behöriga personer i en miljö för industriellt bruk.

Avsedd användning

Produkten är utformad för att sätta i och avlägsna gängade fästelement i trä, metall eller plast.

Kabel- och batteriverktyg: Endast inomhusbruk. Ingen annan användning är tillåten.

Användning av andra reservdelar än de som ursprungligen levererats av tillverkaren kan medföra försämrade prestanda eller ökat underhåll, buller eller vibrationer, och sådan användning innebär att tillverkarens ansvar upphör helt.

Produktspecifika anvisningar

Drift

Krav på lufttillförsel

1. Mata fram ren och torr luft med maximalt tryck på 6,3 bar (90 psi) till verktyget. Högre tryck kommer att förkorta verktygets livslängd betydligt.
2. Anslut verktyget till luftledningen med de dimensioner på rör, slangar och kopplingar som visas i *schema 3*.

Installation/Drift

1. Anslut enheten enligt *schema 3*.
2. Starta verktyget genom att dra i säkerhetsreglaget (1) och trycka på varvtalsreglaget (2).
3. Öka verktygshastigheten genom att trycka hårdare på reglaget (2). *Se schema 2*.
4. Släpp gasreglaget (1) för att stoppa verktyget. *Se schema 1*.

Huvudets vridposition

Se Schema 4

1. Stoppa verktyget.
2. Tryck låshylsan (1) framåt.
3. Flytta verktygshuvudets position uppåt eller nedåt (2) eller tillbaka till normalt läge. *Se schema 1*.
4. Tryck tillbaka låshylsan (1) för att låsa huvudpositionen. *Se Schema 1*

⚠ VARNING

- ▶ Starta inte verktyget om verktygshuvudet är olåst.

Ändra rotationsriktning

Se Schema 5

1. Stoppa verktyget.
2. Vrid reglaget (1) för att rotera verktygshuvudet medurs eller moturs.
3. Starta verktyget igen.

Efter avslutat arbete

VARNING Det kan ta över 5 sekunder för verktyget att stanna.

- ▶ Stäng av verktyget och se till att det står helt stilla innan du lägger det ifrån dig.
- ▶ Stoptiden beror på vilken slipskiva som används.

Lägg ner verktyget försiktigt så att det inte startar av sig självt/oavsiktligt.

Service och underhåll

Smörjning

Använd ett smörjmedel för luftledningar med SAE #10, anpassat till två (2) droppar per minut.

Underhållsanvisningar

- Följ gällande miljöföreskrifter i användningslandet för säker hantering och bortskaffande av alla komponenter.
- Underhåll och reparationer måste utföras av behörig personal och originalreservdelar måste användas. Kontakta tillverkaren eller närmaste auktoriserade återförsäljare för råd om teknisk service eller om du behöver reservdelar.
- Se alltid till att maskinen är urkopplad från energikällan för att undvika misstag.
- Demontera och inspektera verktyget var 3:e månad (500 timmar) om verktyget används varje dag. Byt ut skadade eller slitna delar.
- Följande servicesats rekommenderas för att hålla stilleståndstiden så kort som möjligt: **Justeringsats**

Bortskaffning

- Följ alltid gällande lagar i respektive land vid bortskaffande av denna utrustning.
- Alla skadade, dåligt slitna eller felaktigt fungerande enheter **MÅSTE TAS UR DRIFT**.

Allmänna säkerhetsföreskrifter

Risker med tryckluftmatning och tryckluftanslutning

- Tryckluft kan orsaka allvarliga personskador.
- Stryp alltid lufttillförseln, eliminera trycket i slangarna och koppla bort verktyget från tryckluftskällan när det inte används, före utbyte av tillbehör och vid reparation.
- Rikta aldrig luftstrålen mot dig själv eller andra.
- Snärtande slangar kan orsaka svåra skador. Kontrollera alltid om slangar eller kopplingar är skadade eller lösa.
- Använd inte snabbkopplingar vid verktyget. Se anvisningarna för korrekt montering.

- Om universalvridkopplingar används måste låstappar finnas.
- Låt inte lufttrycket överstiga 6,3 bar/90 psi, eller det tryck som anges på verktygets märkplåt.

Risker med att fastna

- Håll dig undan från en roterande drivning. Kvävning, skalpering och/eller skärsår kan uppstå om löshängande kläder, handskar, smycken, halsband och hår inte hålls borta från verktyg och tillbehör.
- Handskar kan fastna i den roterande drivningen och orsaka avkapade eller brutna fingrar.
- Roterande drivhylsor och drivförlängningar kan lätt fastna i gummi- eller metallförstärkta handskar.
- Bär inte löst sittande handskar eller handskar med fransiga eller trasiga fingrar.
- Håll aldrig i drivningen, hylsan eller drivningens förlängning.

Kringflygande föremål

- Använd alltid slagåliga ögon- och ansiktsskydd om du arbetar med eller uppehåller dig i närheten av verktyg som används, repareras eller underhålls eller verktygstillbehör som byts ut. Handskar och skyddskläder rekommenderas.
- Se till att alla andra som uppehåller sig i närheten använder slagåliga ögon- och ansiktsskydd. Även små föremål som kastas iväg kan skada ögonen och orsaka blindhet.
- Allvarliga personskador kan uppstå från över- eller underådragna fästelement, som kan gå sönder, frigöras och lossna. Enheter som lossnar kan bli till projektiler. Montering som kräver ett visst vridmoment måste kontrolleras med en vridmomentmätare.
OBS: Så kallade \"klick\"-momentnycklar kontrollerar inte potentiellt farlig överådragnings.
- Håll alltid verktyget mot arbetsstycket vid drift. Det kan gå för snabbt och tillbehöret kan kastas av verktyget.
- Kontrollera att arbetsstycket är säkert fastspänt.

Risker med tillbehör

- Använd korrekt hållare för tillbehör (se reservdelsförteckningen). Använd djupa sockelkopplingar när detta är möjligt.
- För verktyg med sprint och O-ring för att hålla hylsan, använd O-ringen för att hålla hylsans sprint på plats.
- Använd endast socklar till tryckluftsnicklar och tillbehör i gott skick. Socklar i dåligt skick eller handsocklar och tillbehör som används med tryckluftsnickeln kan spricka och bli till en projektil.
- Gör alltid uppkopplingar så enkla som möjligt. Långa, fjädrande förlängningshandtag och adapterkopplingar kan brytas av vid stötar. Använd djupa sockelkopplingar när detta är möjligt.
- Rör inte vid några hylsor eller tillbehör under driften eftersom detta ökar risken för skärskador, brännskador och vibrationsskador.

Risker vid användning

- Operatörer och underhållspersonal måste fysiskt kunna hantera verktygets massa, vikt och styrka.

- Håll verktyget rätt: var redo att stå emot normala eller plötsliga rörelser - ha båda händerna redo.
- Använd inte med för lite lufttryck eller om den är nött: det kan hända att kopplingen inte fungerar vilket resulterar i plötslig rotation av handtaget.
- Ha alltid kontroll över gasreglaget. Fastna inte mellan verktyget och arbetsstycket.

Faror vid repetitiva rörelser

- Vid användning av motordrivna verktyg för att utföra arbetsrelaterade aktiviteter, kan operatören uppleva obehag i händer, armar, axlar, nacke eller andra kroppsdelar.
- Inta en bekväm ställning med fötterna stadigt på underlaget och undvik ställningar som är obekväma eller där du kan tappa balansen. Att ändra ställning under längre arbetspass kan hjälpa till att undvika obehag och utmattning.
- Ignorera inte symptom som ihållande eller återkommande obehag, smärta, dunkningar, värk, stickningar, domningar, brännande känsla eller stelhet. Lägg ifrån dig verktyget, prata med din arbetsgivare och besök läkare.

Buller- och vibrationsrisker

- Höga ljudnivåer kan orsaka permanent hörsel förlust och andra problem, t.ex. tinnitus. Använd hörselskydd som rekommenderas av din arbetsgivare eller via arbetsskydds- och hälsoregler.
- Exponering för vibrationer kan skada nerverna och stoppa blodflödet till händerna och armarna. Bär varma kläder och håll händerna varma och torra. Om någon del av kroppen domnar, somnar, smärtar eller vitnar ska du sluta använda verktyget och tala med din arbetsgivare och söka läkarhjälp.
- Håll verktyget i ett lätt men säkert grepp, eftersom risken för vibrationer är större om greppkraften är större.
- Använd om möjligt en upphängningsarm eller montera ett sidohandtag.
- Välj, underhåll och byt ut tillbehör och förbrukningsartiklar/insatt verktyg i enlighet med instruktionsboken så att du förhindrar onödiga ökning av vibrationsnivåerna.
- Använd inte bits, hylsor och förlängningar som är slitna eller inte passar ordentligt eftersom det kommer att orsaka en kraftig ökning av vibrationen.

Arbetsplatsrisker

- Om en person halkar/snubblar/faller kan allvarliga personskador eller dödsfall inträffa. Var medveten om över-skjutande slang som ligger kvar på gång- och arbetsytor.
- Undvik inandning av damm eller rök eller hantering av skräp från arbetsprocessen som kan orsaka ohälsa (t ex cancer, fosterskador, astma och/eller hudeksem). Använd utsug och andningsskydd när du arbetar med material som skapar luftburna partiklar.
- En del damm som skapas av motorblästring, -sågning, -polering, -borrning och andra konstruktionsaktiviteter innehåller kemikalier som i delstaten Kalifornien anses orsaka cancer och fosterskador eller andra reproduktiva skador. Några exempel på dessa kemikalier är:
 - Bly från blybaserad målarfärg

- Kristallint silikattegel och cement och andra murverksprodukter
- Arsenik och krom från kemiskt behandlat gummi

Den risk som du utsätts för varierar beroende på hur ofta du utför den här typen av arbeten. För att reducera din exponering för dessa kemikalier: arbeta i ett väl ventilerat utrymme och arbeta med godkänd säkerhetsutrustning, såsom andningsmasker som är speciellt utformade för att filtrera bort mikroskopiska partiklar.

- Arbeta försiktigt i områden som du inte känner till. Var medveten om de potentiella risker som skapas av dina arbetsaktiviteter. Detta verktyg är inte isolerat från att komma i kontakt med elektriska strömkällor.
- Detta verktyg rekommenderas inte för användning i potentiellt explosiva miljöer.

i Ytterligare säkerhetsinformation om flyttbara tryckluftverktyg:

- CAGI 2525 – B186.1, SÄKERHETSREGLER FÖR PORTABLA TRYCKLUFTSDRIVNA VERKTYG, tillgängliga från Global Engineering Documents på adress <https://global.ihs.com/>, eller ring +1 800 447-2273. Om du har problem att komma åt ANSI-standarder är du välkommen att kontakta ANSI på adressen <https://www.ansi.org>

Användbar information

Ursprungsland

Taiwan

Webbplats

Information om våra produkter, tillbehör, reservdelar och publicerade ärenden hittar du på webbplatsen för Rodcraft

Besök: www.rodcraft.com.

Säkerhetsdatablad

Säkerhetsdatabladet beskriver de kemiska produkter som säljs av Rodcraft.

Besök webbplatsen för Rodcraft om du vill veta mer qr.cp.com/sds.

Copyright

© Copyright 2023, Desoutter GmbH, Edmund-Seng-Str. 3-5, 63477 Maintal, Germany

Med ensamrätt. All obehörig användning eller kopiering av innehållet eller del därav är förbjuden. Detta gäller särskilt varumärken, modellbeteckningar, artikelnummer och ritningar. Använd bara godkända delar. Skador eller fel som orsakas genom användning av icke godkända delar täcks inte av garanti eller företagets produktansvar.

Декларации

Декларация о соответствии ЕС

Компания **Desoutter GmbH**, Edmund-Seng-Str. 3-5, 63477 Maintal, Germany, с полной ответственностью заявляет, что данное изделие (наименование, тип и серийный номер которого указаны на титульном листе) соответствует положениям следующих директив:

2006/42/ЕС (17/05/2006)

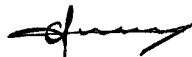
Были применены следующие согласованные стандарты:
EN 11148-6:2013

Официальные органы могут запросить соответствующую техническую информацию у следующих лиц:

Pascal Roussy, R&D Manager, Ets Georges Renault, 38 rue Bobby Sands, BP10273 44818 Saint Herblain, France

Saint-Herblain, 2023/02/07

Pascal ROUSSY

Подпись




Евразийское соответствие



Декларация по шумам и вибрации

- Уровень звукового давления 84.8 дБ(А), погрешность 3 дБ(А), в соответствии со стандартом ISO 15744.
- Уровень звуковой мощности 95.8 дБ(А), погрешность 3 дБ(А), в соответствии со стандартом ISO 15744.
- Суммарное значение вибрации 13.08 м/с², погрешность 1.63 м/с², в соответствии со стандартом ISO-28927-2.

Эти заявляемые характеристики получены в результате типовых лабораторных испытаний в соответствии с указанными стандартами и подходят для сравнения с заявленными характеристиками других агрегатов, испытанных в соответствии с теми же самыми стандартами. Уровень вибрации может быть использован для предварительной оценки внешнего воздействия. Эти заявленные значения не могут быть использованы при выполнении оценки рисков. Значения, полученные непосредственно на рабочем месте, могут быть выше заявленных. Значения фактического воздействия и риск

причинения вреда каждого отдельного пользователя уникальны и зависят от метода работы пользователя, обрабатываемой детали и оформления рабочего месте, а также от времени воздействия и состояния здоровья пользователя.

Компания **Desoutter GmbH** не может нести ответственность за последствия использования заявленных значений вместо значений, отражающих фактическое воздействие, при оценке индивидуальных рисков в ситуации на рабочем месте, которую компания не в состоянии контролировать.

При ненадлежащей манере использования данный инструмент может вызвать вибрационный синдром рук. Руководство ЕС по контролю вибрацией рук содержится на сайте <http://www.pneurop.eu/index.php> при выборе «Инструменты» и затем «Нормативы».

Мы рекомендуем программу контроля за здоровьем, которая обеспечивает раннее обнаружение симптомов вредного воздействия вибрации и позволяет своевременно пересмотреть процедуры обслуживания, чтобы предотвратить дальнейшее ухудшение.

- ❗ Если данное оборудование предназначено для закрепленных систем:
Значение излучения шума приведено в качестве руководящей информации для изготовителя устройства. Данные по излучению шума и вибрации для всего устройства должны быть приведены в руководстве по эксплуатации устройства.

Информация относительно статьи 33 в REACH

Регламент Европейского союза (ЕС) № 1907/2006, регулирующий регистрацию, экспертизу, лицензирование и оборот химических средств (REACH), определяет, помимо прочего, требования к коммуникации в цепочке поставок. Информационные требования распространяются также на продукты, которые содержат так называемые особо опасные вещества (перечень веществ-кандидатов). 27 июня 2018 года металлический свинец (CAS номер 7439921) был внесен в перечень веществ-кандидатов.

В связи с вышеизложенным настоящим ставим вас в известность, что некоторые механические компоненты продукта могут содержать металлический свинец. Это соответствует действующему законодательству в отношении ограничения использования веществ и основано на законных исключениях, указанных в Директиве ЕС по ограничению использования опасных веществ RoHS (2011/65/EU). Металлический свинец не дает утечек или не видоизменяется в продукте во время нормальной эксплуатации, и концентрация металлического свинца в готовом продукте намного ниже применимого порогового значения. Необходимо учитывать местные требования к утилизации свинца после окончания срока службы продукта.

Региональные требования

⚠ ПРЕДУПРЕЖДЕНИЕ

В процессе использования данного продукта существует опасность подвергнуться воздействию химических веществ, в частности, свинца, который, согласно данным, имеющимся в штате Калифорния, вызывает раковые заболевания, врожденные дефекты развития или другие патологии репродуктивной системы. Более подробная информация представлена на веб-сайте

<https://www.p65warnings.ca.gov/>

Безопасность

НЕ ВЫБРАСЫВАТЬ — ПЕРЕДАТЬ ПОЛЬЗОВАТЕЛЮ

⚠ ПРЕДУПРЕЖДЕНИЕ Ознакомьтесь со всеми предупреждениями по безопасной работе, инструкциями, иллюстрациями и спецификациями, которые поставляются вместе с данным электроинструментом.

Несоблюдение приведенных ниже инструкций может привести к поражению электрическим током, пожару и/или серьезной травме.

Сохраните все предупреждения и инструкции для справки на будущее.

⚠ ПРЕДУПРЕЖДЕНИЕ Необходимо неукоснительно соблюдать все местные законодательно закрепленные правила техники безопасности, касающиеся установки, эксплуатации и техобслуживания.

Предписание по использованию

- Только для профессионального использования.
- Запрещается модифицировать данное изделие и его принадлежности каким-либо образом.
- В случае повреждения данного изделия его использование запрещено.
- Если этикетка с информацией об изделии или с предупредительными знаками на корпусе изделия стала неразборчивой или отклеилась, без промедления замените ее.
- Данное устройство должно устанавливаться, эксплуатироваться и обслуживаться только квалифицированным персоналом в промышленных условиях.

Назначение

Данное изделие предназначено для установки и удаления резьбовых крепежных деталей из древесины, металла или пластика.

Кабельные и аккумуляторные инструменты:
Использование только в помещении Любое другое использование запрещено.

Использование неоригинальных запасных частей или принадлежностей может привести к снижению рабочих характеристик и увеличению объема технического

обслуживания, а также повышению уровня шума и вибрации, что повлечет за собой полное прекращение действия ответственности производителя.

Особые инструкции по устройству

Эксплуатация

Требования к подаче воздуха

1. На инструмент следует подавать чистый и сухой воздух под макс. давлением 90 фунтов на кв. дюйм, ман. (6,3 бар). Более высокое давление значительно сокращает срок службы инструмента.
2. Подключите инструмент к линии подачи воздуха, используя трубку, шланг и фитинг; размеры см. на *схеме 3*.

Установка/эксплуатация

1. Подключите инструмент, как показано на *схеме 3*.
2. Чтобы запустить инструмент, потяните предохранительный рычаг (1) и нажмите на регулятор (2).
3. Увеличьте скорость инструмента, увеличив давление на рычаге регулятора (2). См. *схему 2*.
4. Отпустите рычаг регулятора (1), чтобы остановить инструмент. См. *схему 1*.

Положение поворотной головки

См. *схему 4*.

1. Остановите инструмент.
2. Надавите вперед стопорную втулку (1).
3. Измените положение головки инструмента вверх или вниз (2) или верните ее в нормальное положение. См. *схему 1*.
4. Отодвиньте стопорную втулку (1), чтобы зафиксировать положение головки. См. *схему 1*

⚠ ПРЕДУПРЕЖДЕНИЕ

- ▶ Не запускайте инструмент, если головка инструмента не заблокирована.

Изменение направления вращения

См. *схему 5*.

1. Остановите инструмент.
2. Поверните кнопку (1), чтобы повернуть головку инструмента по часовой стрелке или против часовой стрелки.
3. Снова запустите инструмент.

После завершения работы

⚠ ПРЕДУПРЕЖДЕНИЕ Время остановки может быть дольше 5 секунд.

- ▶ Прежде чем положить инструмент, убедитесь, что он выключен и полностью остановился.
- ▶ Время остановки зависит от используемого абразива.

Аккуратно положите инструмент, убедившись, что невозможен его непреднамеренный или самопроизвольный запуск.

Периодическое и текущее техническое обслуживание

Смазка

Применяйте масло SAE #10 и масленку пневматической линии, настроенную подачу на 2 (двух) капель в минуту.

Инструкции по техобслуживанию

- При обращении со всеми компонентами и их утилизации соблюдайте предписания по защите окружающей среды, действующие в стране применения.
- Работы по техническому обслуживанию и ремонту должен выполнять квалифицированный персонал с использованием исключительно оригинальных запасных частей. По вопросам помощи с техническим обслуживанием или приобретения запасных частей обращайтесь к производителю или ближайшему авторизованному дилеру.
- Во избежание непреднамеренного включения, всегда следите за тем, чтобы станок был отсоединен от источника питания.
- При ежедневном использовании инструмента его следует разбирать и осматривать каждые три месяца (500 часов). Поврежденные или изношенные части следует заменять.
- Для сведения времени простоев к минимуму рекомендуется использование следующего ремонтного комплекта: **Регулировочный комплект**

Утилизация

- При утилизации данного оборудования необходимо соблюдать законы, действующие в стране применения.
- Поврежденные, сильно изношенные или работающие с нарушениями устройства всегда **ДОЛЖНЫ ВЫВОДИТЬСЯ ИЗ ЭКСПЛУАТАЦИИ.**

Общие правила техники безопасности

Опасности, связанные с подсоединением и подачей сжатого воздуха

- Воздух под давлением может вызвать серьезную травму.
- Когда инструмент не используется, а также перед заменой его принадлежностей или при проведении ремонтных работ, обязательно отключите подачу сжатого воздуха, сбросьте давление воздуха в шланге и отсоедините инструмент от линии подачи сжатого воздуха.
- Запрещается направлять поток воздуха на себя или на кого-либо еще.

- Биение шлангов может привести к серьезной травме. Обязательно проверяйте шланги и фитинги на предмет повреждения или слабого закрепления.
- Не используйте быстроразъемные соединения на инструменте. См. указания по надлежащей подготовке к работе.
- Какие бы универсальные соединения не использовались, обязательно устанавливайте фиксирующие штифты.
- Не превышайте максимально допустимого значения давления воздуха 6,3 бара (90 фунтов на кв. дюйм, ман.) или значения, указанного на паспортной табличке инструмента.

Опасность затягивания в устройство

- Избегайте вращающегося привода. При несоблюдении безопасной дистанции между волосами, свободной одеждой, перчатками, ювелирными украшениями, шарфами или галстуками и инструментом или его принадлежностями возможны удушье, вырывание волос и сдирание кожи с головы или получение рваных ран.
- Перчатки могут намотаться на вращающийся привод с последующим разрывом или переломом пальцев.
- Вращающиеся приводные головки и удлинители могут легко намотать на себя перчатки с резиновым покрытием или металлическим армированием.
- Не надевайте широкие перчатки, а также перчатки с разрезанными или изношенными пальцами.
- Запрещается удерживать привод, головку или удлинитель.

Опасность вылета осколков

- Всегда надевайте ударопрочные средства защиты глаз и лица при непосредственном участии или нахождении рядом в процессе работы, ремонта или техобслуживания инструмента либо замены его принадлежностей.
- Убедитесь, что на всех остальных людях, находящихся в рабочей зоне, надеты ударопрочные средства защиты глаз и лица. Даже мелкие вылетевшие осколки могут повредить глаза и вызвать слепоту.
- Перетянутые или недотянутые крепежные элементы могут сломаться или ослабнуть и отделиться, что может привести к серьезной травме. Незакрепленные блоки могут разлетаться. Блоки, требующие конкретного момента затяжки, должны проверяться с помощью датчика момента.
ПРИМЕЧАНИЕ. Так называемые \"щелкающие\" динамометрические ключи не проверяют узлы на потенциально опасные превышения крутящего момента.
- Запрещается работать инструментом вхолостую. Он может развить слишком высокую скорость, что приведет к вылету принадлежности из инструмента.
- Убедитесь, что обрабатываемая деталь надежно закреплена.

Опасности, связанные с принадлежностями

- Используйте только надлежащие держатели принадлежностей (см. перечень запчастей). Там, где это возможно, используйте удлиненные головки.
- В инструментах с системой удерживания головки в виде штифта и уплотнительного кольца используйте уплотнительное кольцо для надежной фиксации штифта головки.
- Следует использовать только головки и принадлежности для гаечных ключей ударного действия, находящиеся в хорошем состоянии. Головки в плохом состоянии или головки и принадлежности для ручного инструмента при использовании с гаечными ключами ударного действия могут разбиться и осколки могут вылететь.
- Следует всегда использовать максимально простую схему соединений. Длинные, упругие удлинители и переходники поглощают ударную нагрузку и могут ломаться. Там, где это возможно, используйте удлиненные головки.
- Не касайтесь головок или принадлежностей во время эксплуатации, так как это повышает риск порезов, ожогов и травм, связанных с вибрацией.

Опасности при работе

- Операторы и обслуживающий персонал должны быть физически в состоянии управляться с грузом, весом и мощностью инструмента.
- Держите инструмент надлежащим образом: будьте готовы противодействовать его обычным или внезапным движениям — используйте обе руки.
- Не используйте муфту при сниженном давлении сжатого воздуха или в изношенном состоянии: расцепная муфта может не сработать, что приведет к внезапному вращению рукоятки инструмента.
- Следует всегда контролировать дроссель. Избегайте зоны возможного травмирования между инструментом и обрабатываемой деталью.

Опасность повторяющихся движений

- При использовании механизированного инструмента для выполнения рабочих операций могут возникать неприятные ощущения в кистях, предплечьях, плечах, шее или других частях тела.
- Сохраняйте удобное и надежное положение тела и ног, избегая неуклюжих или неустойчивых поз. Смена положения при выполнении продолжительных операций поможет избежать дискомфорта и утомления.
- Не игнорируйте такие симптомы, как постоянный или периодический дискомфорт, острая или ноющая боль, пульсация, покалывание, онемение, ощущение жжения или околечение. Прекратите работу с инструментом, сообщите своему работодателю и проконсультируйтесь с врачом.

Опасность шума и вибрации

- Высокий уровень шума может вызвать постоянную потерю слуха и другие проблемы, такие как звон в ушах. Используйте средства защиты органов слуха, рекомендованные вашим работодателем или правилами охраны труда и безопасности.
- Воздействие вибрации может привести к потере чувствительности нервных окончаний и нарушению кровоснабжения кистей и предплечий. Следует носить теплую одежду и держать руки в тепле и сухости. При онемении, покалывании, боли или побледнении кожи прекратите работу с инструментом, сообщите своему работодателю и проконсультируйтесь с врачом.
- Инструмент следует держать легко, но надежно, поскольку риск воздействия вибрации, как правило, повышается при крепкой хватке.
- Там, где это возможно, используйте подвеску или боковую рукоятку.
- Подбирайте, обслуживайте и заменяйте принадлежности и расходные материалы/насадки в соответствии с руководством, чтобы избежать нежелательного роста уровня вибрации.
- Не используйте изношенные или неподходящие биты, головки или удлинители, так как это может привести к значительному росту уровня вибрации.

Опасности на рабочем месте

- Подскользывание, спотыкание и падение являются основными причинами серьезных травм и смерти. Остерегайтесь избыточных частей шлангов, оставленных в зоне прохода или на рабочей площадке.
- Не вдыхайте пыль или пары или продукты обработки, которые могут приводить к ухудшению состояния здоровья (например, рак, врожденные пороки, астма и/или дерматит). При работе с материалами, выделяющими переносимые по воздуху частицы, используйте систему вытяжки пыли и надевайте средства защиты органов дыхания.
- Некоторые виды пыли, образующейся при пескоструйной обработке, пилении, шлифовании, сверлении и других строительных работах, содержат химические вещества, признанные в штате Калифорния веществами, вызывающими рак и врожденные пороки развития либо негативно влияющими на репродуктивную систему. Ниже перечислены некоторые из таких химических веществ:
 - свинец из красок на свинцовой основе;
 - кирпичи, цемент и другие стеновые изделия из кристаллического кремнезема;
 - мышьяк и хром из химически обработанного каучука (резины).

Ваш риск в отношении перечисленных воздействий меняется в зависимости от того, как часто вы выполняете данный вид работ. Чтобы уменьшить воздействие на вас указанных химических веществ, работайте в хорошо вентилируемом помещении с

применением одобренных средств защиты, таких как пылезащитные маски, предназначенные специально для фильтрации микроскопических частиц.

- Соблюдайте осторожность при работе в незнакомом месте. Остерегайтесь потенциальных опасностей, создаваемых вашими рабочими действиями. Этот инструмент не изолирован от соприкосновения с источниками электропитания.
- Данный инструмент не рекомендован для эксплуатации в потенциально взрывоопасной атмосфере.

ⓘ Дополнительная информация по технике безопасности при работе с переносными пневматическими инструментами:

- SAGI 2528 – B186.1, ПРАВИЛА ТЕХНИКИ БЕЗОПАСНОСТИ ПРИ РАБОТЕ С ПЕРЕНОСНЫМИ ПНЕВМАТИЧЕСКИМИ ИНСТРУМЕНТАМИ можно получить на веб-сайте Global Engineering Documents по адресу <https://global.ihs.com/> или по телефону +1 800 447-2273. При возникновении затруднений с получением стандартов ANSI свяжитесь с организацией ANSI через веб-сайт <http://www.ansi.org/>

Полезные сведения

Страна происхождения

Taiwan

Веб-сайт

На веб-сайте Rodcraft представлена информация о наших изделиях, принадлежностях, запасных частях, а также печатные материалы.

Посетите: www.rodcraft.com.

Паспорт безопасности продукции

В паспортах безопасности продукции описаны химические продукты, поставляемые компанией Rodcraft.

Посетите веб-сайт компании Rodcraft, чтобы ознакомиться с более подробной информацией qr.cp.com/sds.

Авторское право

© Авторское право, 2023, Desoutter GmbH, Edmund-Seng-Str. 3-5, 63477 Maintal, Germany

Все права защищены. Любое несанкционированное использование или копирование содержимого настоящего документа или его части запрещено. В частности, это относится к товарным знакам, названиям моделей, номерам деталей и чертежам. Используйте только разрешенные запасные части. Любые повреждения или неисправности, возникшие в результате использования неразрешенных запасных частей, не попадают под действие гарантии и ответственности производителя за продукцию.

Декларacje

Декларация zgodności EU

Firma **Desoutter GmbH**, Edmund-Seng-Str. 3-5, 63477 Maintal, Germany oświadcza na swoją wyłączną odpowiedzialność, że produkt (którego nazwę, typ i numer seryjny podano na stronie tytułowej) jest zgodny z postanowieniami następujących dyrektyw:

2006/42/EC (17/05/2006)

Obowiązujące normy zharmonizowane:

EN 11148-6:2013

Władze mogą zażądać istotnych informacji technicznych od:

Pascal Roussy, R&D Manager, Ets Georges Renault, 38 rue Bobby Sands, BP10273 44818 Saint Herblain, France

Saint-Herblain, 2023/02/07

Pascal ROUSSY



Podpis

Oświadczenie o poziomie hałasu i drgań

- Poziom ciśnienia akustycznego 84.8 dB(A), niepewność pomiaru 3 dB(A), zgodnie z normą ISO 15744.
- Poziom ciśnienia akustycznego 95.8 dB(A), niepewność pomiaru 3 dB(A), zgodnie z normą ISO 15744.
- Całkowita wartość drgań 13.08 m/s², niepewność pomiaru 1.63 m/s², zgodnie z normą ISO-28927-2.

Te deklarowane wartości zostały uzyskane w ramach prób laboratoryjnych zgodnie z wymienionymi standardami. Można ich używać do porównywania z wartościami deklarowanymi innych narzędzi przetestowanych zgodnie z tymi samymi standardami. Wartości poziomu emisji drgań można też używać do wstępnej oceny oddziaływania. Nie można ich używać do oceny ryzyka, a wartości zmierzone w poszczególnych miejscach pracy mogą być wyższe. Rzeczywiste wartości oddziaływania i ryzyko obrażeń poszczególnych użytkowników są unikatowe i zależą od sposobu pracy użytkownika, przedmiotu obrabianego i konstrukcji stanowiska pracy, a także czasu oddziaływania i warunków fizycznych użytkownika.

Firma **Desoutter GmbH** nie może ponosić odpowiedzialności za skutki stosowania deklarowanych wartości, zamiast wartości odzwierciedlających rzeczywiste narażenie na hałas i drgania, w przypadku indywidualnej oceny zagrożeń występujących w konkretnej sytuacji w miejscu pracy, nad którą firma Desoutter nie sprawuje kontroli.

Niniejsze narzędzie może powodować wystąpienie syndromu drgań rąk-ramion (HAVS), jeśli nie jest używane we właściwy sposób. Informator Rady Unii Europejskiej dotyczący ochrony przed drganiami przenoszonymi na ręce operatora jest dostępny na stronie <http://www.pneurop.eu/index.php> po wybraniu „Tools” (Narzędzia), a następnie „Legislation” (Ustawodawstwo).

Zalecamy przeprowadzanie badań okresowych, mających na celu wykrycie objawów związanych z działaniem drgań, aby umożliwić zmianę procedur i zapobiec dalszemu pogorszeniu stanu zdrowia.

- i** Jeśli niniejszy sprzęt jest przeznaczony do mocowania w uchwytach:
Wielkość emisji hałasu jest podawana jako wskazówka dla konstruktora narzędzia. Odnoszące się do całego narzędzia dane dotyczące emisji drgań i hałasu powinny być zamieszczone w instrukcji obsługi narzędzia.

Informacje dotyczące artykułu 33 rozporządzenia REACH

Rozporządzenie Unii Europejskiej (UE) nr 1907/2006 w sprawie rejestracji, oceny, udzielania zezwoleń i stosowanych ograniczeń w zakresie chemikaliów (REACH) definiuje między innymi wymagania dotyczące komunikacji w łańcuchu dostaw. Wymóg informacyjny ma zastosowanie do produktów zawierających tak zwane substancje stanowiące bardzo duże zagrożenie (lista kandydacka). W dniu 27 czerwca 2018 roku do listy kandydackiej dodano ołów (CAS nr 7439-92-1).

W związku z powyższym niniejszy dokument służy poinformowaniu, że niektóre podzespoły mechaniczne produktu mogą zawierać ołów. Jest zgodny z obowiązującymi przepisami dotyczącymi substancji zakazanych i został opracowany w oparciu o zatwierdzone wyłączenia w dyrektywie RoHS (2011/65/UE). Ołów nie będzie wyciekał z produktu ani zmieniał formy podczas normalnej eksploatacji i jego stężenie w całym produkcie jest znacznie niższe niż obowiązująca wartość graniczna. Należy przestrzegać lokalnych wymagań dotyczących utylizacji ołowiu po upływie okresu eksploatacji produktu.

Wymagania regionalne

⚠ OSTRZEŻENIE

Ten produkt może narazić użytkownika na kontakt z chemikaliami, między innymi ołowiem, który wg władz stanu Kalifornia powoduje raka, wady wrodzone i upośledzenie płodności. Więcej informacji podano w witrynie

<https://www.p65warnings.ca.gov/>

Bezpieczeństwo

Nie wyrzucać — przekazać użytkownikowi

⚠ OSTRZEŻENIE Należy przeczytać wszystkie ostrzeżenia dotyczące bezpieczeństwa oraz zapoznać się ze wszystkimi instrukcjami, ilustracjami i specyfikacjami dołączonymi do niniejszego narzędzia mechanicznego.

Nieprzestrzeganie wszystkich zmieszczonych poniżej instrukcji może doprowadzić do porażenia prądem elektrycznym, pożaru i/lub poważnych obrażeń.

Wszystkie ostrzeżenia i instrukcje należy zachować do wykorzystania w przyszłości.

⚠ OSTRZEŻENIE Należy zawsze przestrzegać wszystkich lokalnych przepisów dotyczących instalacji, obsługi i konserwacji.

Oświadczenie o przeznaczeniu

- Wyłącznie do użytku profesjonalnego.
- Nie wolno w żaden sposób modyfikować produktu ani jego akcesoriów.
- Nie należy użytkować uszkodzonego produktu.
- Jeśli umieszczone na produkcie etykiety zawierające dane produktu lub ostrzegające przed niebezpieczeństwem przestaną być czytelne lub odpadną, należy je niezwłocznie wymienić.
- Produkt musi być instalowany, obsługiwany i serwisowany wyłącznie przez wykwalifikowaną osobę w warunkach przemysłowych.

Przeznaczenie

Niniejszy produkt jest przeznaczony do montażu i demontażu gwintowanych elementów mocujących w drewnie, metalu i tworzywach sztucznych.

Narzędzia do kabli i akumulatorów: Tylko do użytku w pomieszczeniach. Używanie do innych celów jest niedozwolone.

Użycie nieoryginalnych części zamiennych lub akcesoriów może spowodować spadek wydajności narzędzia oraz zwiększenie częstotliwości wykonywania czynności konserwacyjnych, wzrost natężenia hałasu lub drgań, a w rezultacie anulowanie gwarancji producenta.

Instrukcje dotyczące produktu

Obsługa

Wymagania dotyczące dopływu sprężonego powietrza

1. Do narzędzia należy doprowadzić czyste, suche powietrze o ciśnieniu maksymalnym 90 psig (6,3 bar). Wyższe ciśnienie drastycznie skraca żywotność narzędzia.
2. Podłączyć narzędzie do instalacji sprężonego powietrza, używając rury, węża i złączek o rozmiarach przedstawionych na *Schemacie 3*.

Montaż/obsługa

1. Podłączyć narzędzie jak pokazano na *Schemacie 3*.
2. W celu uruchomienia narzędzia należy pociągnąć dźwignię bezpieczeństwa (1) i nacisnąć dźwignię przepustnicy (2).
3. Zwiększyć prędkość pracy narzędzia, stopniowo zwiększając nacisk na przepustnicę (2). *Zobaczyć Schemat 2*.
4. Zwolnić dźwignię przepustnicy (1), aby zatrzymać narzędzie. *Zobaczyć Schemat 1*.

Pozycja głowicy toczącej

Zobaczyć Schemat 4.

1. Zatrzymać narzędzie.
2. Popchnąć do przodu tuleję zabezpieczającą (1).

- Zmienić pozycję głowicy narzędzia w górę lub w dół (2) albo z powrotem do jej normalnej pozycji. *Zobaczyć Schemat 1.*
- Popchnąć do tyłu tuleję zabezpieczającą (1), aby zablokować pozycję głowicy. *Zobaczyć Schemat 1.*

⚠ OSTRZEŻENIE

- ▶ Nie wolno uruchamiać narzędzia, jeśli jego głowica nie jest zabezpieczona.

Zmiana kierunku obrotów

Zobaczyć Schemat 5.

- Zatrzymać narzędzie.
- Obrócić pokrętko (1), aby obrócić głowicę narzędzia w prawo lub w lewo.
- Ponownie uruchomić narzędzie.

Po zakończeniu pracy

⚠ OSTRZEŻENIE Czas zatrzymywania może być dłuższy niż 5 sekund.

- ▶ Przed odłożeniem narzędzie należy bezwzględnie wyłączyć i poczekać, aż zatrzyma się całkowicie.
- ▶ Czas zatrzymywania zależy od użytej tarczy szlifierskiej.

Ostrożnie odłożyć narzędzie, aby upewnić się, że nie uruchomi się ono samoczynnie.

Serwis i konserwacja

Smarowanie

Użyć smarownicy przewodu powietrznego zawierającej olej SAE #10 wyregulowanej na dwie (2) krople na minutę.

Wskazówki dotyczące konserwacji

- Postępować zgodnie z krajowymi przepisami dotyczącymi bezpiecznej obsługi i utylizacji wszystkich podzespołów.
- Czynności konserwacyjne i naprawcze muszą być przeprowadzane przez wykwalifikowany personel z użyciem wyłącznie oryginalnych części zamiennych. W celu uzyskania porady na temat obsługi technicznej lub części zamiennych należy skontaktować się z producentem lub najbliższym autoryzowanym dealerem.
- Zawsze sprawdzać, czy maszyna jest odłączona od źródła energii, aby uniknąć przypadkowego uruchomienia.
- Jeśli narzędzie jest używane każdego dnia, rozmontowywać je i sprawdzać co 3 miesiące (500 godzin). Wymieniać uszkodzone lub zużyte części.
- Aby ograniczyć przestoje do minimum, zalecany jest następujący zestaw serwisowy: **Zestaw konfiguracyjny**

Utylizacja

- Ten sprzęt należy zutylizować zgodnie z krajowymi przepisami.
- Uszkodzone, zużyte lub nieprawidłowo działające urządzenia **NALEŻY WYCOFAĆ Z EKSPLOATACJI.**

Ogólne instrukcje bezpieczeństwa

Zagrożenia związane z podłączaniem do źródła sprężonego powietrza

- Powietrze pod ciśnieniem może spowodować poważne obrażenia.
- W przypadku nieużywania narzędzia lub przed przystąpieniem do zmiany akcesoriów bądź do wykonania naprawy należy zawsze odciąć dopływ sprężonego powietrza, usunąć ciśnienie z przewodu elastycznego oraz odłączyć narzędzie od źródła sprężonego powietrza.
- Nie wolno kierować sprężonego powietrza na siebie lub inną osobę.
- Wężę wprawione w nagły ruch przez wydostające się sprężone powietrze mogą spowodować poważne obrażenia. Zawsze należy sprawdzić, czy elastyczne przewody pneumatyczne i złączki nie są uszkodzone lub obluźnione.
- Nie należy montować szybkozłączy bezpośrednio do narzędzia. Podłączenie należy wykonać zgodnie z instrukcją.
- W przypadku stosowania uniwersalnego wkręcane go złącza, musi być zainstalowany kołek blokujący.
- Nie wolno przekraczać maksymalnej wartości ciśnienia powietrza wynoszącej 6,3 bara (90 psig) lub wartości podanej na tabliczce znamionowej narzędzia.

Niebezpieczeństwo pochwycenia

- Zachować bezpieczny odstęp od obracającego się mechanizmu napędowego. Pochwycenie luźnej odzieży, rękawic, biżuterii, krawatów bądź apaszek oraz włosów przez narzędzie lub jego akcesoria grozi uduszeniem, oskalpowaniem i/lub zranieniem.
- Rękawice mogą zostać pochwycione przez obracający się mechanizm napędowy, powodując urwanie lub złamanie palców.
- Obracające się nasadki napędowe i przedłużki mechanizmu napędowego mogą z łatwością pochwycić gumowane lub wzmocnione metalem rękawice.
- Nie wolno nosić zbyt luźnych rękawic lub rękawic z otworami na palce bądź postrzępionymi końcówkami na palce.
- W żadnym wypadku nie wolno chwytać mechanizmu napędowego, nasadki lub przedłużki mechanizmu napędowego.

Niebezpieczeństwo zranienia odłamkami

- Podczas posługiwania się narzędziem, a także podczas naprawy lub konserwacji narzędzia bądź w trakcie wymiany jego akcesoriów należy zawsze nosić odporne na uderzenia okulary ochronne i osłonę twarzy.
- Należy zadbać o to, aby inne znajdujące się w pobliżu osoby nosiły okulary ochronne i osłonę twarzy. Nawet małe odłamki mogą uszkodzić oczy i spowodować ślepotę.
- Dokręcenie elementów złącznych zbyt dużym lub zbyt małym momentem obrotowym może doprowadzić do ich pęknięcia lub poluzowania i rozłączenia, co może spowodować poważne obrażenia ciała. Uwolnione ele-

menty zespołów mogą zostać wyrzucone z dużą siłą. Zespoły wymagające określonego momentu dokręcania należy sprawdzić przy użyciu miernika momentu.

UWAGA: Klucze dynamometryczne z mechanizmem zapadkowym nie zapewniają dostatecznej kontroli nad potencjalnie niebezpiecznym stanem przeciążenia w wyniku nadmiernego momentu obrotowego.

- Nie wolno uruchamiać narzędzia, gdy nie jest ono umieszczone na elemencie wkręcany. Wałek napędowy może się nadmiernie rozpędzić i spowodować zrzucenie nasadki z narzędzia.
- Upewnić się, że obrabiany przedmiot jest pewnie zamocowany.

Zagrożenia stwarzane przez akcesoria

- Stosować wyłącznie właściwe uchwyty do akcesoriów (patrz spis części). W miarę możliwości używać głębokich nasadek.
- W przypadku narzędzi, w których zastosowano system mocowania nasadki ze sworzniem i pierścieniem O-ring, należy stosować pierścien O-ring w celu pewnego zamocowania sworznia nasadki.
- Stosować wyłącznie nasadki przeznaczone do kluczy udarowych i akcesoria w dobrym stanie. Nasadki w złym stanie technicznym oraz nasadki i akcesoria do kluczy ręcznych zastosowane do klucza udarowego mogą się rozpaść na drobne kawałki i stać się groźnymi pociskami.
- Zawsze stosować możliwie najprostsze złącza. Długie sprężyste przedłużacze i adaptory pochłaniają moc udaru i mogą ulec uszkodzeniu. W miarę możliwości używać głębokich nasadek.
- Nie dotykać nasadek ani akcesoriów podczas pracy, ponieważ zwiększa to ryzyko skaleczeń, oparzeń i urazów związanych z wibracjami.

Zagrożenia występujące podczas pracy z narzędziami

- Operatorzy i personel konserwacyjny muszą być fizycznie zdolni do obsługi narzędzia o określonej wielkości, masie i mocy.
- Narzędzie należy trzymać prawidłowo: należy być przygotowanym do przeciwdziałania normalnym lub nagłym ruchom narzędzia — mieć do dyspozycji obie ręce.
- Nie wolno używać narzędzia przy zmniejszonym ciśnieniu powietrza lub nadmiernie zużytego narzędzia: sprzęt takiego narzędzia może nie funkcjonować, co spowoduje nagły obrót uchwytu narzędzia.
- Operator powinien zawsze sprawować właściwą kontrolę nad przepustnicą. Uważać, aby nie zostać pochwyconym pomiędzy narzędziem a przedmiotem obrabianym.

Zagrożenia związane z wykonywaniem powtarzających się ruchów

- Podczas pracy z użyciem elektronarzędzia operator może odczuwać dyskomfort w dłoniach, ramionach, barkach, szyi lub innych częściach ciała.
- Należy przyjąć wygodną pozycję, pamiętając jednocześnie o zachowaniu pewnego oparcia dla stóp i unikaniu nienaturalnych lub niezrównoważonych pozycji. Zmiana pozycji podczas wykonywania długotrwałych zadań może pomóc w uniknięciu dyskomfortu i zmęczenia.

- Nie należy ignorować takich objawów jak uporczywy lub powracający dyskomfort, ból, silne bicie serca, uczucie mrowienia, drętwienia, pieczenia lub zeszywnienia. Należy zaprzestać używania narzędzia, powiadomić pracodawcę i zasięgnąć porady lekarza.

Zagrożenia powodowane hałasem i drganiami

- Wysokie poziomy hałasu mogą spowodować trwałą utratę słuchu i inne problemy, takie jak szum w uszach. Należy stosować ochronniki słuchu zalecane przez pracodawcę lub przepisy bezpieczeństwa i higieny pracy.
- Narażenie na działanie drgań może spowodować uszkodzenie nerwów oraz upośledzenie krążenia krwi w dłoniach i ramionach. Należy nosić ciepłą odzież i utrzymywać dłonie w ciepłym i suchym stanie. W przypadku wystąpienia drętwienia, mrowienia, bólu lub bladeści skóry należy zaprzestać używania narzędzia, powiadomić pracodawcę i zasięgnąć porady lekarza.
- Narzędzie należy trzymać lekko, lecz pewnym chwytem, gdyż ryzyko powodowane drganiami jest zwykle większe, jeśli siła chwytu jest większa.
- Tam gdzie jest to możliwe należy stosować podwieszane ramię lub zamocować boczny uchwyt.
- Wybierać, konserwować i wymieniać akcesoria oraz materiały eksploatacyjne lub wkładki narzędziowe zgodnie z instrukcją obsługi, aby zapobiec niepotrzebnemu wzrostowi poziomowi wibracji.
- Nie używać zużytych lub źle dopasowanych końcówek wkrętaka, nasadek i przedłużek, ponieważ może to spowodować znaczny wzrost wibracji.

Zagrożenia związane z miejscem pracy

- Główną przyczyną poważnych obrażeń lub śmierci jest poślizgnięcie/przewrócenie/upadek. Należy uważać na luźne przewody elastyczne pozostawione na przejściach lub na powierzchniach roboczych.
- Unikać wdychania pyłu lub dymów, a także kontaktu z opiłkami powstającymi w trakcie pracy, gdyż może to spowodować pogorszenie się stanu zdrowia (na przykład przyczynić się do powstania nowotworów, wad wrodzonych, astmy i/lub zapalenia skóry). W przypadku obróbki materiałów powodujących duże zapylenie należy stosować urządzenia odpylające oraz sprzęt ochrony dróg oddechowych.
- W skład niektórych rodzajów pyłu powstającego podczas polerowania, piłowania, szlifowania, wiercenia i innych operacji wchodzi substancje chemiczne, które — zgodnie z wiedzą posiadaną przez władze stanu Kalifornia — mogą powodować nowotwory, wady wrodzone lub problemy związane z rozrodnością. Przykładami takich substancji chemicznych są między innymi:
 - ołów pochodzący z farb ołowiowych,
 - cegły silikatowe i cement oraz inne produkty murarskie,
 - arsen i chrom pochodzące z chemicznie przetwarzanej gumy.

Zagrożenia związane z oddziaływaniem tych substancji zależą od częstotliwości wykonywania tego rodzaju pracy. Aby zmniejszyć narażenie na oddziaływanie tych substancji chemicznych, należy: pracować w dobrze wentylowanych miejscach i używać atestowanego

wyposażenia ochronnego, np. masek przeciwpyłowych przeznaczonych do zatrzymywania mikroskopijnych cząsteczek.

- Należy zachować ostrożność w nieznanym otoczeniu. Należy mieć świadomość istnienia potencjalnych zagrożeń powodowanych przez wykonywane prace. Niniejsze narzędzie nie ma izolacji zabezpieczającej przed kontaktem ze źródłami zasilania energią elektryczną.
- Niniejsze narzędzie nie jest zalecane do użytku w atmosferze zagrożonej wybuchem.

i Dodatkowe informacje dotyczące bezpieczeństwa przenośnych narzędzi pneumatycznych:

- CAGI 2528 – B186.1, KODEKS BEZPIECZEŃSTWA DLA PRZENOŚNYCH NARZĘDZI PNEUMATYCZNYCH, dostępny w Global Engineering Documents na stronie internetowej <https://global.ihs.com/> lub pod numerem tel. +1 800 447-2273. W razie trudności z uzyskaniem standardów ANSI należy skontaktować się z ANSI na stronie <https://www.ansi.org/>

Przydatne informacje

Kraj pochodzenia

Taiwan

Strona internetowa

Informacje o naszych produktach, akcesoriach, częściach zamiennych i publikacjach można odnaleźć na stronie Rodcraft.

Zapraszamy do odwiedzenia: www.rodcraft.com.

Karta charakterystyki materiału

Karty charakterystyki materiałów opisują produkty chemiczne sprzedawane przez firmę Rodcraft.

Więcej informacji zamieszczono na stronie internetowej Rodcraft pod adresem qr.cp.com/sds.

Prawa autorskie

© Copyright 2023, Desoutter GmbH, Edmund-Seng-Str. 3-5, 63477 Maintal, Germany

Wszelkie prawa zastrzeżone. Wszelkie nieuprawnione użytkowanie lub kopiowanie zawartości niniejszego dokumentu bądź jego części jest zabronione. Dotyczy to w szczególności znaków towarowych, oznaczeń modeli, numerów części oraz rysunków. Używać wyłącznie zatwierdzonych części zamiennych. Wszelkie uszkodzenia lub usterki spowodowane użytkowaniem niezatwierdzonych części zamiennych nie są objęte gwarancją ani odpowiedzialnością z tytułu rękojmi za wady produktu.

Vyhlasenia

EU Vyhlásenie o zhode

My, **Desoutter GmbH**, Edmund-Seng-Str. 3-5, 63477 Maintal, Germany, vyhlasujeme na našu výhradnú zodpovednosť, že výrobok (s názvom, typovým a výrobným číslom, pozri prednú stranu), je v zhode s nasledovnou(ými) smernicou(ami):

2006/42/EC (17/05/2006)

Uplatnené harmonizované normy:

EN 11148-6:2013

Orgány si môžu vyžiadať príslušné technické informácie od:

Pascal Roussy, R&D Manager, Ets Georges Renault, 38 rue Bobby Sands, BP10273 44818 Saint Herblain, France

Saint-Herblain, 2023/02/07

Pascal ROUSSY



Podpis

Vyhlasenie o hlučnosti a vibráciách

- Hladina akustického tlaku 84.8 dB(A), neistota 3 dB(A), v súlade s ISO 15744.
- Hladina akustického výkonu 95.8 dB(A), neistota 3 dB(A), v súlade s ISO 15744.
- Celková hodnota vibrácií 13.08 m/s², neistota 1.63 m/s², v súlade s ISO-28927-2.

Tieto uvádzané hodnoty boli získané prostredníctvom laboratórnych typových skúšok v súlade so stanovenými normami a sú vhodné na porovnanie s uvádzanými hodnotami iných nástrojov, pre ktoré sa vykonali skúšky v súlade s rovnakými normami. Hladina emisie vibrácií sa môže použiť na predbežné posúdenie expozície. Tieto uvádzané hodnoty nie sú vhodné na použitie pri hodnotení rizík a hodnoty namerané na jednotlivých pracoviskách môžu byť vyššie. Aktuálne hodnoty expozície a riziko poškodenia zdravia jednotlivých používateľov sú špecifické a závisia od spôsobu práce používateľa, konkrétneho obrobku a pracoviska a tiež od času expozície a fyzickej kondície používateľa.

My, **Desoutter GmbH**, nemôžeme byť zodpovední za následky používania uvádzaných hodnôt namiesto hodnôt, ktoré zodpovedajú aktuálnemu vyžarovaniu v individuálnom posúdení rizika v situácii na pracovnom mieste, nad ktorým nemáme kontrolu.

Tento nástroj môže spôsobiť syndróm vibrácií pôsobiacich na ruky a ramená, aj nie je adekvátne spravované jeho používanie. Príručku EÚ o riešení vibrácií pôsobiacich na ruky a ramená môžete nájsť na stránke <http://www.pneurop.eu/index.php> po zvolení položiek „Nástroje“ a potom „Legislatíva“.

Odporúčame preventívnu kontrolu zdravotného stavu na detekciu včasných príznakov v dôsledku zaťaženia vibráciami, aby bolo možné upraviť postupy, ktoré by zabránili výskytu ťažkostí v budúcnosti.

- ⓘ Ak toto zariadenie je určené pre upínacie aplikácie: Emisie hluku sú uvedené ako odporúčanie pre výrobcu stroja. Údaje o emisii hluku a vibrácií pre celý stroj nájdete v návode na obsluhu stroja.

Informácie týkajúce sa článku 33 v nariadení REACH

Európske nariadenie (EÚ) č. 1907/2006 o registrácii, hodnotení, autorizácii a obmedzovaní chemických látok (REACH) definuje, okrem iného, požiadavky súvisiace s komunikáciou v dodávateľskom reťazci. Požiadavka na informácie sa vzťahuje aj na výrobky obsahujúce tzv. látky vzbudzujúce veľmi veľké obavy („zoznam kandidátskych látok“) 27. júna 2018 bolo do zoznamu kandidátskych látok pridané kovové olovo (č. CAS 7439921).

V súlade s vyššie uvedeným vás to má informovať, že určité mechanické komponenty vo výrobku môžu obsahovať kovové olovo. Je to v zhode s aktuálnymi právnymi predpismi o obmedzovaní látok a na základe zákonných výnimiek v smernici RoHS (2011/65/EÚ). Počas normálneho používania nedôjde k úniku ani premene kovového olova z výrobku a koncentrácia kovového olova v celom výrobku je značne pod príslušnou prahovou hodnotou. Pri likvidácii olova na konci životnosti výrobku zohľadnite, prosím, miestne požiadavky.

Regionálne požiadavky

⚠ VAROVANIE

Pri používaní tohto výrobku môžete byť vystavení chemikáliám vrátane olova, o ktorom je v štáte Kalifornia známe, že spôsobuje rakovinu a vrodené chyby alebo iné reprodukčné poruchy. Pre viac informácií prejdite na <https://www.p65warnings.ca.gov/>

Bezpečnosť

NEVYHADZUJE – ODOVZDAJTE POUŽÍVATEĽOVI

⚠ VAROVANIE Prečítajte si všetky bezpečnostné varovania, pokyny, obrázky a špecifikácie poskytnuté s týmto elektrickým nástrojom.

Nedodržanie všetkých dole uvedených pokynov môže mať za následok zásah elektrickým prúdom, požiar a/alebo vážne poranenie.

Všetky varovania a pokyny si odložte pre budúce nahliadnutie.

⚠ VAROVANIE Všetky lokálne legislatívne bezpečnostné predpisy, ktoré sa týkajú inštalácie, prevádzky a údržby sa musia vždy dodržiavať.

Účel použitia

- Iba pre profesionálne použitie.
- Tento výrobok a jeho príslušenstvo sa nesmie v žiadnom prípade prerábať.
- Tento výrobok nepoužívajte, ak bol poškodený.
- Ak údaje o výrobku alebo výstražné štítky upozorňujúce na nebezpečenstvo umiestnené na výrobku prestanú byť čitateľné alebo sa uvoľnia, bezodkladne ich nahraďte.

- Výrobok smie inštalovať, obsluhovať a servisovať iba kvalifikovaná osoba v priemyselnom prostredí.

Určené použitie

Tento výrobok je určený na inštalovanie a odstraňovanie závitových upevňovacích prvkov do/z dreva, kovu alebo plastov.

Káblové a akumulátorové náradie: Len na použitie v interiéri. Iné použitie nepovoľené.

Použitie náhradných dielov alebo príslušenstva iných ako originálne dodaných výrobcom môže mať za následok pokles výkonu a zvýšenú potrebu údržby, zvýšenú úroveň hluku alebo zvýšené vibrácie, a v dôsledku toho úplné zrušenie ručenia výrobcu.

Pokyny špecifické pre výrobok

Obsluha

Požiadavky na zásobovanie vzduchom

1. Do nástroja dodávajte čistý, suchý vzduch s maximálnym tlakom 90 psi (6,3 bar). Vyšší tlak drasticky skracuje životnosť nástroja.
2. Pripojte nástroj ku vzduchovému potrubiu pomocou rúrky, hadice a armatúry, veľkosti sú zobrazené v *schéme 3*.

Inštalácia/prevádzka

1. Pripojte nástroj, ako je to zobrazené v *schéme 3*.
2. Na spustenie nástroja potiahnite bezpečnostnú páčku (1) a stlačte páčku škrtiacej klapky (2).
3. Zvýšte otáčky nástroja zvýšením tlaku na páčku škrtiacej klapky (2). *Pozri schéma 2*.
4. Pre zastavenie nástroja pustite páku škrtiacej klapky (1). *Pozri schéma 1*.

Poloha otočenia hlavy

Pozri schéma 4.

1. Zastavte nástroj.
2. Potlačte dopredu poistné puzdro (1).
3. Zmeňte polohu hlavy nástroja nahor alebo nadol (2), resp späť do normálnej polohy. *Pozri schéma 1*.
4. Potlačením poistného puzdra (1) späť zablokujte polohu hlavy. *Pozri schéma 1*

⚠ VAROVANIE

- ▶ Nespúšťajte nástroj, ak nie je zamknutá hlava nástroja.

Zmena smeru otáčania

Pozri schéma 5.

1. Zastavte nástroj.
2. Otáčaním gombíka (1) otočte hlavu nástroja v smere hodinových ručičiek alebo proti smeru hodinových ručičiek.
3. Znova spustite nástroj.

Po skončení prác

⚠ VAROVANIE Čas do zastavenia môže byť viac ako 5 sekúnd.

- Pred odložením nástroja sa uistite, že je vypnutý a že sa úplne zastavil.
- Čas do zastavenia závisí od použitého brusiva.

Opatrne položte nástroj, aby sa sám nespustil samočinne/sám od seba.

Servis a údržba**Mazanie**

Použite olejnicu s olejom SAE #10 nastavenou na dve (2) kvapky za minútu.

Pokyny pre údržbu

- **Dodržiavajte miestne environmentálne predpisy pre bezpečnú manipuláciu so všetkými komponentmi a ich likvidáciu.**
- Údržbu a opravy musí vykonávať kvalifikovaný personál používajúci iba originálne náhradné diely. Ak potrebujete poradenstvo o technických službách alebo náhradné diely, obráťte sa na výrobcu alebo na najbližšieho autorizovaného predajcu.
- Vždy zabezpečte, aby bol stroj odpojený od zdroja energie, aby sa predišlo náhodnej prevádzke.
- Ak sa nástroj používa každý deň, demontujte a skontrolujte ho každé 3 mesiace (500 hodín). Vymeňte poškodené alebo opotrebované diely.
- Na minimalizáciu prestojov sa odporúča nasledujúca servisná súprava: **Nastavovacia súprava**

Likvidácia

- Pri likvidácii tohto zariadenia dodržiavajte právne predpisy príslušnej krajiny.
- Všetky poškodené, silno opotrebované alebo nesprávne fungujúce zariadenia **SA MUSIA VYRADIŤ Z PREVÁDZKY.**

Všeobecné bezpečnostné pokyny**Prívod vzduchu a nebezpečenstvá napojenia**

- Vzduch pod tlakom môže spôsobiť vážne zranenie.
- Keď nástroj nepoužívate, pred výmenou príslušenstva alebo pri oprave vždy vypnite prívod vzduchu, z hadice vytlačte vzduch pod tlakom a nástroj odpojte od prívodu vzduchu.
- Vzduch pod tlakom môže spôsobiť vážne zranenie.
- Šľahajúce hadice môžu spôsobiť vážne zranenie. Vždy skontrolujte, či nie sú hadice a fittingy poškodené alebo uvoľnené.
- Na nástroji nepoužívajte rýchlospojky. Pozrite si pokyny pre správne nastavenie.
- Keď sa používa univerzálna závitová spojka, vždy sa musia nainštalovať poistné kolíky.
- Neprekračujte maximálny tlak vzduchu 6,3 bar / 90 psi, ako je uvedené na štítku nástroja.

Nebezpečenstvá zamotania

- Uchovávajte mimo otočného pohonu. V prípade, že sa nezachová dostatočná vzdialenosť medzi voľným oblečením, rukavicami, šperkmi, náhrdelníkmi, vlasmi a nástrojom a jeho príslušenstvom, môže dôjsť k duseniu, skalpovaniu alebo tržným ranám.
- Rukavice sa môžu zachytiť do otočného pohonu, čo môže spôsobiť odrezanie alebo zlomenie prstov.
- Do násad a nastavcov otočného pohonu sa poľahky môžu zachytiť rukavice s gumeným povrchom alebo kovovými výstuhami.
- Nenoste voľné rukavice ani rukavice s otvormi na prsty ani rozstrapatené rukavice.
- Nikdy nechytajte pohon, zásuvku ani nastaviec pohonu.

Nebezpečenstvo projektív

- Pri prevádzke, oprave alebo údržbe nástroja alebo v ich blízkosti alebo pri výmene príslušenstva nástroja vždy používajte ochranu očí a tváre odolnú voči nárazom.
 - Uistite sa, či všetci v pracovnom priestore majú nasadené nárazuvzdorné chrániče očí a tváre. Dokonca aj malé projektily môžu zraniť oči a spôsobiť stratu zraku.
 - Príliš alebo málo utiahnuté skrutky a matice, ktoré sa môžu zlomiť alebo uvoľniť a následne odskočiť, môžu spôsobiť vážne poranenia. Uvoľnené príslušenstvo môže byť vymrštené. Montážne operácie so špecifickým momentom utiahnutia musia byť skontrolované meračom momentu.
- POZNÁMKA Tzv. „cvakacie“ momentové kľúče nekontrolujú potenciálne nebezpečné podmienky prílišného utiahnutia.
- Nástroj nikdy nespúšťajte mimo obrábaného produktu. Môže bežať príliš rýchlo a vyhodiť príslušenstvo z nástroja.
 - Skontrolujte, či je obrobok bezpečne upnutý.

Nebezpečenstvá pri príslušenstve

- Používajte len vhodné úchytky na príslušenstvo (pozri zoznam súčiastok). Vždy, keď je to možné, používajte hlboké nástrčky.
- Pre nástroje, ktoré používajú systém uchopenia pomocou kolíka a tesniaceho krúžku nastavca, použite na bezpečné upnutie kolíka nastavca tesniaci krúžok.
- Používajte len nástrčky na nárazové kľúče a príslušenstvo v dobrom stave. Nástrčky v zlom stave alebo ručne nástrčky a príslušenstvo používané s nárazovými kľúčmi sa môžu roztrieštiť.
- Vždy používajte čo najjednoduchšie pripojenie. Dlhé, pružné roztahovacie tyče a adaptéry pohlcujú nárazovú silu a môžu sa zlomiť. Vždy, keď je to možné, používajte hlboké nástrčky.
- Počas prevádzky sa nedotýkajte nástrčiek ani príslušenstva, pretože to zvyšuje riziko poranení v dôsledku pomezania, popálenia alebo vibrácií.

Nebezpečenstvá pri prevádzke

- Pracovníci obsluhy a údržby musia byť fyzicky schopní objemný, ťažký a mohutný nástroj manipulovať.
- Nástroj držte v správnej polohe: buďte pripravení reagovať na normálne alebo náhle pohyby oboma rukami.

- Nepoužívajte pri zníženom tlaku alebo v opotrebovanom stave. Spojka by nemusela pracovať a výsledkom by bola náhla rotácia držadla nástroja.
- Regulátor musíte mať celý čas pod kontrolou. Nenechajte sa zachytiť medzi nástrojom a obrábanym produktom.

Nebezpečenstvá z opakovaných pohybov

- Pri používaní elektrického nástroja za účelom vykonania pracovných úloh môže operátor pocítiť nepohodlie v rukách, ramenách, pleciach, krku alebo iných častiach tela.
- Zaujmite pohodlné držanie tela a zároveň si zachovajte bezpečný postoj, aby ste sa vyhli neprírodným alebo nerovnovážnym polohám. Zmena postoja počas dlho trvajúcich prác môže pomôcť predísť nepohodliu a únave.
- Neignorujte symptómy ako trvalé alebo opakujúce sa nepohodlie, bolesť, búšenie, bodavú bolesť, trpnutie, necitlivosť, pálenie alebo stuhnutie. Prestaňte používať nástroj, informujte vášho zamestnávateľa a vyhľadajte lekára.

Nebezpečenstvá spôsobené hlukom a vibráciami

- Vysoké úrovne hluku môžu spôsobiť trvalú stratu sluchu alebo iné problémy, ako napr. hučanie v ušiach. Používajte ochranu sluchu odporúčanú zamestnávateľom alebo predpismi týkajúcimi sa zdravia a bezpečnosti na pracovisku.
- Vystavenie vibráciám môže spôsobiť vážne poškodenie nervov a prívodu krvi na rukách a ramenách. Noste teplé oblečenie a uchovajte si ruky teplé a suché. Ak dôjde k znecitliveniu, trpnutiu, bolesti alebo zbeleniu kože, prestaňte s nástrojom pracovať, informujte vášho zamestnávateľa a vyhľadajte lekára.
- Nástroj uchopte zľahka ale bezpečne, pretože nebezpečenstvo spôsobované vibráciami je väčšie pri pevnejšom uchopení.
- Tam kde je to možné použite rameno nápravy alebo pripevnite bočnú rukoväť.
- Vyberajte, udržiavajte a vymieňajte príslušenstvo a spotrebný materiál/vložený nástroj podľa návodu, aby ste zabránili zbytočnému zvýšeniu úrovne vibrácií.
- Nepoužívajte opotrebené ani nepasujúce bity, nástrčky a nadstavce pre skrutkovače, pretože to môže spôsobiť významné zníženie vibrácií.

Nebezpečenstvá na pracovisku

- Pošmyknutie/zakopnutie/pád sú významnou príčinou vážneho zranenia alebo smrti. Dávajte pozor na nadbytočné hadice ponechané na povrchu, kde sa chodí alebo pracuje.
- Predíd'te vdýchnutiu prachu, výparov alebo sutiny, ktoré vznikli pri práci a ktoré môžu spôsobiť zdravotné problémy (napr. rakovinu, pôrodné defekty, astmu a/alebo zápal kože). Pri práci s materiálmi, pri ktorých vznikajú vzduchové častice, používajte odsávanie prachu a vybavenie na ochranu dýchania.
- Niektoré prachy vytvorené pri pieskovaní, pílení, brúsení, vrtaní a iných stavebných aktivitách obsahujú chemikálie, o ktorých je v štáte Kalifornia známe, že spôsobujú

rakovinu a vrodené chyby alebo iné reprodukčné poškodenia. Medzi niektoré príklady takýchto chemikálií patria:

- olovo z olovnatých farieb,
- tehly a cement s kryštalického kremeňa a iné murárske produkty,
- arzén a chróm z chemicky ošetrenej gummy.

Vaše riziko pri týchto expozíciách sa líši podľa toho, ako často vykonávate tento druh práce. Na zníženie expozície týchto chemikálií: pracujte v dobre vetranej oblasti a pracujte so schváleným bezpečnostným vybavením ako napríklad maskou proti prachu, ktoré je špeciálne navrhnutá na odfiltrovanie mikroskopických častíc.

- V neznámom prostredí postupujte opatrne. Majte na mysli možné nebezpečenstvá vyplývajúce z vašej pracovnej činnosti. Tento nástroj nie je izolovaný proti kontaktu so zdrojmi elektriny.
- Tento nástroj nie je určený na prácu v potenciálne výbušných atmosférach.

i Doplňujúce bezpečnostné informácie týkajúce sa prenosných pneumatických nástrojov:

- CAGI 2528 - B186.1, BEZPEČNOSTNÝ KÓD PRE PRENOSNÉ PNEUMATICKÉ NÁSTROJE, k dispozícii z Global Engineering Documents na stránke <https://global.ih.com> alebo zavolajte na číslo +1 800 447-2273. V prípade ťažkostí so získaním noriem ANSI kontaktujte ANSI cez stránku <https://www.ansi.org/>

Užitočné informácie

Krajina pôvodu

Taiwan

Webová stránka

Informácie ohľadne našich výrobkov, príslušenstva, náhradných dielov a zverejnených materiálov nájdete na webovej stránke Rodcraft.

Navštívte, prosím: www.rodcraft.com.

Karta bezpečnostných údajov

Karty bezpečnostných údajov popisujú chemické výrobky predávané spoločnosťou Rodcraft.

Pre viac informácií navštívte webovú stránku spoločnosti Rodcraft qr.cp.com/sds.

Copyright

© Copyright 2023, Desoutter GmbH, Edmund-Seng-Str. 3-5, 63477 Maintal, Germany

Všetky práva vyhradené. Akékoľvek neautorizované použitie alebo kopírovanie obsahu alebo jeho časti je zakázané. Týka sa to predovšetkým obchodných značiek, označení modelov, čísiel dielov a výkresov. Používajte iba autorizované diely.

Na akékoľvek škody alebo zlyhania spôsobené používaním neautorizovaných dielov sa nevzťahuje záruka ani ručenie za výrobok.

Prohlášení

Prohlášení o shodě s předpisy EU

My, společnost **Desoutter GmbH**, Edmund-Seng-Str. 3-5, 63477 Maintal, Germany, na vlastní odpovědnost prohlašujeme, že produkt (s názvem, typem a sériovým číslem, viz přední stranu) splňuje požadavky těchto směrnic:

2006/42/EC (17/05/2006)

Použité harmonizované normy:

EN 11148-6:2013

Úřady si mohou vyžádat příslušné technické informace od:

Pascal Roussy, R&D Manager, Ets Georges Renault, 38 rue Bobby Sands, BP10273 44818 Saint Herblain, France

Saint-Herblain, 2023/02/07

Pascal ROUSSY



Podpis

Prohlášení o hluku a vibracích

- Úroveň akustického tlaku 84.8 dB(A), neurčitost 3 dB(A), v souladu s ISO 15744.
- Úroveň akustického výkonu 95.8 dB(A), neurčitost 3 dB(A), v souladu s ISO 15744.
- Celková hodnota vibrací 13.08 m/s², nejistota 1.63 m/s², v souladu s normou ISO-28927-2.

Tyto deklarované hodnoty byly zjištěny laboratorní typovou zkouškou v souladu s uvedenými normami a jsou vhodné k porovnání s deklarovanými hodnotami jiných nástrojů testovaných v souladu s těmi stejnými normami. Tuto hodnotu emisí vibrací lze použít pro předběžné posouzení expozice. Tyto deklarované hodnoty nejsou vhodné k použití při posuzování rizik a hodnoty naměřené na jednotlivých pracovištích mohou být vyšší. Skutečné hodnoty expozice a riziko poškození, kterým jsou vystaveni jednotliví uživatelé, jsou jedinečné a závisí na způsobu práce uživatele, na obrobku a na plánu pracovní stanice, na době expozice a fyzickém stavu uživatele.

My, společnost **Desoutter GmbH**, neponeseme žádnou odpovědnost za důsledky použití deklarovaných hodnot místo hodnot odrážejících skutečnou expozici, při individuálním hodnocení rizik v konkrétní situaci na pracovišti, kterou nemůžeme nijak ovlivnit.

Tento nástroj, pokud není přiměřeným způsobem používán, může způsobovat vibrační syndrom ruky a paže. Pokyny EU týkající se zvládnutí vibrací ruky a paže naleznete na webové stránce <http://www.pneurop.eu/index.php>, kde zvolte možnost „Tools“ (Nástroje) a poté „Legislation“ (Legislativa).

Doporučujeme program zdravotního dohledu umožňující včasné odhalení symptomů, které mohou souviset se zatížením vibracemi, aby bylo možné upravit řídicí procesy s cílem předcházení budoucím újmám.

- ❗ Pokud je toto zařízení určeno pro vestavěné aplikace: Hlukové emise jsou uvedeny jako vodičko pro výrobce stroje. Údaje o hlukových a vibračních emisích pro celý stroj musí být uvedeny v návodu k použití stroje.

Informace ohledně článku 33 nařízení REACH

Nařízení Evropského parlamentu a Rady (ES) č. 1907/2006 o registraci, hodnocení, povolování a omezování chemických látek (REACH) kromě dalších záležitostí definuje požadavky vztahující se ke komunikaci v rámci dodavatelského řetězce. Požadavek na informace platí i pro produkty obsahující tzv. látky vzbuzující mimořádné obavy („Seznam kandidátů“). Dne 27. června 2018 bylo na seznam kandidátů zařazeno olovo (č. CAS 7439-92-1).

V souladu s výše uvedeným vás tímto informujeme, že určité mechanické součásti produktu mohou obsahovat olovo. To je v souladu s aktuální legislativou o omezení látek a na základě platných výjimek ve Směrnici o omezení používání některých nebezpečných látek v elektrických a elektronických zařízeních (2011/65/EU) známé i pod zkratkou RoHS. Olovo nebude během běžného používání z produktu unikovat ani v něm mutovat a celková koncentrace olova v produktu je výrazně pod platnou prahovou mezí. Zkontrolujte místní požadavky ohledně likvidace olova na konci životnosti produktu.

Oblastní požadavky

⚠ VÝSTRAHA

U tohoto výrobku můžete být vystaveni působení chemických látek včetně olova, což je ve státě Kalifornie faktor způsobující rakovinu, poškození plodu nebo jiné reprodukční poškození. Více informací je k dispozici na stránce

<https://www.p65warnings.ca.gov/>

Bezpečnost

NEVYHAZUJTE – PŘEDEJTE UŽIVATELI

⚠ VÝSTRAHA Přečtěte si všechny bezpečnostní výstrahy, pokyny, ilustrace a specifikace dodané s tímto elektrickým nástrojem.

Nedodržení veškerých níže uvedených pokynů může mít za následek úraz elektrickým proudem, požár a/nebo vážný úraz.

Uschovejte všechny texty varování a pokynů i pro budoucí potřebu.

⚠ VÝSTRAHA Vždy dodržujte všechna zákonná bezpečnostní pravidla týkající se instalace, provozu a údržby produktu.

Prohlášení o použití

- Pouze pro profesionální použití.
- Tento nástroj a jeho příslušenství je zakázáno jakýmkoliv způsobem upravovat.
- Nepoužívejte tento produkt, pokud je poškozen.

- Pokud na produktu nejsou čitelné štítky s údaji o produktu či výstražné štítky, nebo pokud dojde k jejich oddělení od produktu, bez prodlení je nahraďte novými.
- Tento produkt smí instalovat, používat či provádět jeho servis pouze kvalifikované osoby v průmyslovém montážním prostředí.

Předpokládané použití

Tento produkt je zkonstruován pro montáž upevňovacích prvků do dřeva, kovu nebo plastu a pro jejich demontáž z těchto materiálů.

Kabelové a akumulátorové nářadí: Pouze pro použití v interiéru. Jiné použití není povoleno.

Použití náhradních dílů, které se liší od dílů dodávaných výrobcem, může mít za následek snížení výkonosti nebo zvýšení náročnosti údržby a úrovně hluku nebo vibrací. Zároveň to má za následek celkové propadnutí záruky výrobce.

Pokyny specifické pro produkt

Provoz

Požadavky na přívod vzduchu

1. Do nástroje přivádějte čistý, suchý vzduch o maximálním tlaku 6,3 baru (90 psi). Vyšší tlak výrazně snižuje životnost nástroje.
2. Připojte nástroj ke vzduchovému vedení pomocí potrubí, hadice a šroubení velikostí uvedené ve *Schématu 3*.

Instalace/provoz

1. Připojte nářadí jako ve *Schématu 3*.
2. Když chcete nářadí spustit, zatáhněte za bezpečnostní páku (1) a stiskněte páčku škrticího ventilu (2).
3. Zvýšením tlaku na páku škrticího ventilu (2) zvyšte otáčky nářadí. *Viz Schéma 2*.
4. Když chcete nářadí zastavit, uvolněte páku (1) škrticího ventilu. *Viz Schéma 1*.

Poloha otáčecí hlavy

Viz Schéma 4

1. Zastavte nářadí.
2. Zatlačte pojistné pouzdro dopředu (1).
3. Změňte polohu hlavy nářadí směrem nahoru nebo dolů (2) nebo zpět do běžné polohy. *Viz Schéma 1*.
4. Zatlačte zpět pojistné pouzdro (1), abyste zajistili polohu hlavy. *Viz Schéma 1*

VÝSTRAHA

- ▶ Když hlava nářadí není uzamčena, nespouštějte nářadí.

Změna směru otáčení

Viz Schéma 5

1. Zastavte nářadí.

2. Otáčením knoflíku (1) otáčejte hlavou nářadí ve směru nebo proti směru ručiček.
3. Znovu spusťte nářadí.

Po skončení práce

VÝSTRAHA Doba zastavení může být delší než 5 sekund.

- ▶ Před odložením nástroje se ujistěte, zda je nástroj vypnut a došlo k jeho úplnému zastavení.
- ▶ Doba zastavení závisí na použitém brusném materiálu.

Opatrně nástroj položte, abyste se ujistili, že se nástroj sám/sama nerozběhne.

Servis a údržba

Mazání

Použijte mazací zařízení vzduchu s olejem SAE #10 nastavené na dvě (2) kapky za minutu.

Pokyny týkající se údržby

- Při bezpečné manipulaci a likvidaci všech součástí **dodržujte předpisy o ochraně životního prostředí platné v dané zemi.**
- Údržbu a opravy musí provádět kvalifikovaný pracovník, který smí používat výhradně originální náhradní díly. Když potřebujete rady týkající se technických služeb nebo vyžadujete náhradní díly, kontaktujte výrobce nebo nejbližšího autorizovaného prodejce.
- Vždy se ujistěte, že je stroj odpojen od zdroje energie, aby nedošlo k náhodnému spuštění.
- Když se nářadí používá denně, po každých 3 měsících (500 hodinách) jej rozmontujte a zkontrolujte. Vadné nebo opotřebované díly vyměňte.
- Aby se odstávka zkrátila na minimum, doporučujeme následující servisní sadu: **Serizovací sada**

Likvidace

- Při likvidaci tohoto zařízení je nutno dodržovat právní předpisy příslušné země.
- Veškerá poškozená, silně opotřebovaná nebo nesprávně fungující zařízení **MUSÍ BÝT VYŘAZENA Z PROVOZU.**

Obecné bezpečnostní pokyny

Přívod vzduchu a nebezpečí při připojení

- Vzduch pod tlakem může způsobit vážný úraz.
- Vždy vypněte přívod vzduchu, z hadic vypusťte tlak vzduchu a odpojte nářadí od přívodu vzduchu, když se nářadí nepoužívá, před výměnou jeho příslušenství nebo při provádění jeho oprav.
- Proud vzduchu nikdy nemířte na sebe ani na nikoho jiného.
- Házení hadic může způsobit vážný úraz. Vždy zkontrolujte, jestli hadice a spojky nejsou poškozené nebo uvolněné.

- Nikdy nepoužívejte rychlospojky. Viz pokyny pro správné nastavení.
- Univerzální utahovací spojky musejí být vždy použity s pojistnými kolíky.
- Nepřekračujte maximální tlak vzduchu 6,3 baru/90 psig nebo tlak uvedený na štítku náradí.

Nebezpečí namotání

- Udržujte bezpečnou vzdálenost od otáčejících se částí. Když nebudete udržovat volné části oděvu, rukavice, šátek nebo jiné oděvní součásti či ozdoby nošené na krku a vlasy v dostatečné vzdálenosti od náradí a příslušenství, může dojít k jejich zachycení náradím, což vám může způsobit udušení, skalpování anebo tržné rány.
- Může dojít k zachycení rukavic otáčejícími se částmi náradí, což vám může způsobit vážná poranění nebo i zlámání prstů.
- Otáčející se nástavce a prodloužení náradí mohou snadno zachytit rukavice s pryžovým povlakem nebo s kovovým zesílením.
- Nepoužívejte příliš volné rukavice ani rukavice s proříznutým nebo roztřepeným materiálem na prstech.
- Nikdy se nepokoušejte držet otáčející se části náradí, nástavce ani prodloužení náradí.

Rizika odlétávajících předmětů

- Vždy používejte nárazuvzdorné ochranné brýle a obličejový kryt při práci s náradím a jeho opravě a údržbě či při výměně příslušenství, nebo pokud jsou tyto činnosti prováděny ve vaší blízkosti.
- Zajistěte, aby také všichni ostatní v pracovním prostoru měli nárazuvzdorné brýle a obličejové kryty. Také malé odlétávající předměty mohou způsobit poranění očí a následnou slepotu.
- Přetažení nebo naopak nedotažení upevňovacích prvků, které se mohou rozlomit, uvolnit nebo oddělit, může mít za následek vznik vážného úrazu. Uvolněné montážní sestavy se mohou změnit na odlétávající předměty. Montážní sestavy vyžadující konkrétní utahovací moment musí být zkontrolovány pomocí měřiče momentu.
POZNÁMKA: tak zvané „západkové“ momentové klíče nejsou schopny zjistit potenciálně nebezpečné stavy přetažení.
- Nikdy náradí nenechávejte běžet naprázdno. Může běžet příliš rychle a způsobit, že příslušenství bude z náradí vymrštnuto.
- Dbejte na to, aby byl obrobek řádně upevněn.

Rizika spojená s příslušenstvím

- Používejte pouze správné úchyty příslušenství (viz seznam součástí). Používejte hluboké nástavce, kdykoliv je to možné.
- U náradí využívajícího upínací systém nástavce s kolíkem a O-kroužkem používejte O-kroužek k bezpečnému přidržení kolíku nástavce.
- Používejte pouze nástavce určené pro náradí na stlačený vzduch a příslušenství v dobrém stavu. Nástavce ve špatném stavu nebo ruční nástavce a příslušenství používané s rázovými utahovými na stlačený vzduch mohou prasknout a odstřelit jako projektil.

- Vždy používejte nejjednodušší možné zavěšení. Dlouhé pružinové prodlužovací tyče a adaptéry absorbují rázovou energii a mohou prasknout. Používejte hluboké nástavce, kdykoliv je to možné.
- Nedotýkejte se nástavců ani příslušenství v průběhu používání, protože tím se zvyšuje riziko pořezání, popálení nebo zranění v důsledku vibrací.

Provozní rizika

- Osoby provádějící obsluhu a údržbu musí být fyzicky schopné manipulovat s objemným, těžkým a výkonným náradím.
- Držte náradí správně: mějte připraveny obě ruce na zvládnutí normálních i náhlých pohybů působících v opačném směru rotace.
- Nepoužívejte při sníženém tlaku nebo ve špatném stavu: spojka by nemusela fungovat a výsledkem by byla náhlá rotace držadla náradí.
- Mějte škrticí ventil neustále pod kontrolou. Zajistěte, aby nedošlo k zachycení mezi náradím a obrobkem.

Rizika spojená s opakovaným pohybem

- Při používání mechanického náradí k provádění pracovních činností může operátor pociťovat mírnou bolest v oblasti rukou, paží, ramen, krku nebo i v jiných částech těla.
- Při práci stůjte v pohodlné poloze a pevně na zemi a vyvarujte se jakýchkoliv nepříjemných či nejistých a nevyvážených poloh. Pravidelné změny polohy těla během delších pracovních činností mohou pomoci zabránit vzniku bolesti či nadměrné únavy.
- Nepodceňujte příznaky, jako je například trvalá nebo vracející se mírná či silnější bolest, pulzující bolest, brnění, necitlivost, palčivé pocity nebo ztuhlost. Přestaňte náradí používat, informujte svého zaměstnavatele a poraďte se s lékařem.

Rizika spojená s hlukem a vibracemi

- Vysoké úrovně hluku mohou způsobit trvalou ztrátu sluchu nebo jiné zdravotní problémy, jako je například hučení v uších. Používejte ochranu sluchu doporučenou vaším zaměstnavatelem nebo předepsanou podle předpisů týkajících se bezpečnosti a ochrany zdraví při práci.
- Působení vibrací může způsobit poškození nervů a narušit přívod krve do rukou a paží. Noste teplý oděv a udržujte své ruce v teple a suchu. Když se projeví strnulost, brnění, bolest nebo zbledání kůže, přestaňte náradí používat, informujte svého zaměstnavatele a poraďte se s lékařem.
- Držte náradí lehkým, ale současně pevným úchopem, protože riziko nepříznivého působení vibrací je s vyšší silou úchopu obecně vyšší.
- Když to je možné, používejte závěsné rameno nebo na náradí nasadte boční rukojeť.
- Vybírejte, udržujte a měňte příslušenství a spotřební materiál/vložené náradí v souladu s pokyny v příručce, aby se předešlo zbytečnému zvýšení úrovně vibrací.
- Nikdy nepoužívejte opotřebované nebo špatně padnouce hroty, nástavce nebo prodlužovací díly, protože tím se výrazně zvyšuje pravděpodobnost zvýšení vibrací.

Rizika na pracovišti

- Uklouznutí, zakopnutí nebo pád jsou hlavními příčinami vážných nebo smrtelných poranění. Dávejte pozor na nadměrné množství hadic ponechaných na podlaze nebo na pracovní ploše.
- Vyhnete se vdechování prachu či výparů i manipulaci s nečistotami z pracovního procesu, které mohou způsobovat zdravotní potíže (například rakovinu, poruchy při narození, astma anebo dermatitidu). Při práci s materiály, které způsobují uvolňování částic do vzduchu, používejte zařízení na odsávání prachu a noste ochranné dýchací pomůcky.
- Prach vznikající při motorovém vyhlazování, řezání, broušení, vrtání a jiných stavebních činnostech může obsahovat chemické látky, o kterých je ve státu Kalifornie známo, že způsobují rakovinu a poruchy při narození nebo jiná poškození reprodukčního ústrojí. Některé příklady takových chemických látek jsou tyto:
 - olovo z olovnatých barev;
 - cihly z krystalického křemene, cement a další stavební materiály pro zdiva;
 - arzén a chrom z chemicky upravené pryže.

Vaše riziko vyplývající z vystavení se působení těchto látek se liší podle toho, jak často provádíte takový typ práce. Abyste omezili své vystavení se působení těchto chemických látek: pracujte v dobře větraných prostorách a používejte schválené bezpečnostní ochranné pomůcky, jako jsou například masky proti prachu, které jsou speciálně zkonstruované k odfiltrování mikroskopických částic.

- V neznámém pracovním prostředí si počínejte opatrně. Dávejte pozor na potenciální rizika vznikající v důsledku vaší pracovní činnosti. Toto nářadí není izolováno pro případ dotyku se zdroji elektrického proudu.
- Toto nářadí není určeno pro práci v potenciálně výbušných atmosférách.

(i) Další bezpečnostní informace ohledně přenosného pneumatického nářadí:

- CAGI 2528 - B186.1, SAFETY CODE FOR PORTABLE AIR TOOLS (Bezpečnostní pravidla pro přenosné pneumatické nářadí), k dispozici na webových stránkách Global Engineering Documents na adrese <https://global.ihs.com/> nebo na telefonním čísle +1 800 447-2273. V případě obtíží při získávání norem ANSI se obraťte na organizaci ANSI prostřednictvím webové stránky <https://www.ansi.org/>

Užitečné informace**Země původu**

Taiwan

Webová stránka

Informace týkající se našich produktů, příslušenství, náhradních dílů a publikovaných dokumentů naleznete na webových stránkách společnosti Rodcraft.

Navštivte: www.rodcraft.com.

Bezpečnostní list

Bezpečnostní listy popisují chemické produkty, které prodává společnost Rodcraft.

Více informací získáte na webových stránkách společnosti Rodcraft na adrese qr.cp.com/sds.

Copyright

© Copyright 2023, Desoutter GmbH, Edmund-Seng-Str. 3-5, 63477 Maintal, Germany

Všechna práva vyhrazena. Veškeré neschválené použití a kopírování obsahu nebo jeho částí je zakázáno. To platí zejména o obchodních známkách, označeních modelu, číslech součástí a výkresech. Používejte pouze schválené náhradní díly. Na škody nebo nesprávnou funkci, způsobené použitím neschválených náhradních dílů, se nevztahuje ani záruka, ani odpovědnost za produkt.

Nyilatkozatok**EU megfelelőségi nyilatkozat**

Mi, az **Desoutter GmbH**, Edmund-Seng-Str. 3-5, 63477 Maintal, Germany, kizárólagos felelősségünk tudatában kijelentjük, hogy a termék (a típus és termékszámot lásd az első oldalon) megfelel a következő irányelv(ek)nek: **2006/42/EC (17/05/2006)**

Alkalmazott harmonizált szabványok: **EN 11148-6:2013**

A hatóságok kérhetik a vonatkozó műszaki információkat:

Pascal Roussy, R&D Manager, Ets Georges Renault, 38 rue Bobby Sands, BP10273 44818 Saint Herblain, France

Saint-Herblain, 2023/02/07
Pascal ROUSSY



Aláírás

Nyilatkozat zaj- és rezgés kibocsátásról

- Hangnyomásszint: 84.8 dB(A), bizonytalanság: 3 dB(A), a ISO 15744 előírásnak megfelelően.
- Hangerőszint: 95.8 dB(A), bizonytalanság: 3 dB(A), a(z) ISO 15744 előírásainak megfelelően.
- Vibráció teljes értéke: 13.08 m/s², bizonytalanság: 1.63 m/s², a ISO-28927-2 előírásainak megfelelően.

Ezeket a meghatározott értékeket laboratóriumi vizsgálatnak vetettük alá a megfelelő szabványoknak megfelelően, és alkalmasak az egyéb szabványok szerint vizsgált egyéb szerzők meg határozott értékeinek összehasonlítására. A rezgés kibocsátási szint az expozíció előzetes értékeléséhez használható. Ezek a kijelentett értékek nem megfelelőek a kockázatértékelésekhez, és az egyes munkahelyeken mért értékek magasabbak lehetnek. A tényleges expozíciós értékek és az egyes felhasználók által elszenvedett károk kockázata

egyedi, és függ a felhasználó munkájától, a munkadarabtól és a munkaállomás tervezésétől, valamint az expozíció időtartamától és a felhasználó fizikai állapotától.

A **Desoutter GmbH** nem vállal felelősséget a névleges értékek figyelembevételéért a valós kitétségi értékekkel szemben olyan egyedi munkahelyi szituációkra vonatkozóan, amelyeknek feltételeit nem áll módunkban befolyásolni.

Ez a szerszám gép – ha használatát nem megfelelően ütemezik – kéz-kar vibrációs (HAVS) szindrómát okozhat. A kéziszerszámok által okozott rezgésre vonatkozó EU-s útmutató a <http://www.pneurop.eu/index.php> oldalon a „Tools” (Eszközök), majd a „Legislation” (Törvények) pont választásával érhető el.

Javasoljuk, hogy rendszeresen végeztesse egészségi állapotfelmérést az olyan korai tünetek felismerésére, amelyek kapcsolatban állhatnak a rezgési terheléssel, hogy az eljárásokat módosítani lehessen a helyzet további romlásának megakadályozására.

- i** A berendezést rögzítési eljárásokhoz terveztük: A megadott zajkibocsátási szint a gépgyártó tájékoztatására szolgál. A teljes gépberendezés zaj- és rezgés-kibocsátási adatait keresse a gép használati útmutatójában.

Információ a REACH-rendelet 33. cikke kapcsán

A vegyi anyagok regisztrálásáról, értékeléséről, engedélyezéséről és korlátozásáról szóló 1907/2006/EK rendelet (REACH) többek között az ellátási láncban történő információközlésre vonatkozó követelményeket ír elő. Az információközlési követelmény többek között a különösen veszélyes anyagokat tartalmazó termékekre irányul (a „Jelöltlista”). 2018. június 27-én az ólom (CAS-szám: 7439-92-1) is felkerült a jelöltlistára.

A fentiekkel összhangban ezúton tájékoztatjuk Önt, hogy a termékben bizonyos mechanikus részegységek ólmot tartalmazhatnak. Ez megfelel az anyagok korlátozására vonatkozó jelenlegi jogszabályoknak, és az RoHS irányelv (2011/65/EU) jogszervi kivételein alapul. Az ólom normál használat folyamán nem szivárog és nem képződik a termékből, és az ólom koncentrációja a teljes termékben jóval a vonatkozó határérték alatt van. Kérjük, hogy a termék élettartamának végén vegye figyelembe az ólom ártalmatlanítására vonatkozó helyi előírásokat.

Regionális követelmények

! FIGYELEM

A termék különböző vegyi anyagoknak, például ólomnak való kitétséget okozhat, az ólomot pedig Kalifornia állam hatóságai a rákkeltő, születési rendellenességeket vagy más szaporodási ártalmakat okozó anyagok közé sorolták. További tudnivalóért lásd

<https://www.p65warnings.ca.gov/>

Biztonság

NE DOBJA EL – ADJA ÁT A FELHASZNÁLÓNAK!

! FIGYELEM Olvassa el a szerszám gépre vonatkozó összes biztonsági előírást, útmutatót, illusztrációt és műszaki adatokat.

Az alábbiakban felsorolt utasítások be nem tartása áramütést, tüzet és/vagy súlyos sérülést okozhat.

Mentse el az összes figyelmeztetést és utasítást a későbbi hivatkozáshoz.

! FIGYELEM Minden körülmények között tartsa be a felszerelésekre, üzemeltetésre és karbantartásra vonatkozó, a törvény szerint érvényben lévő helyi biztonsági szabályokat.

Használatra vonatkozó nyilatkozat

- Kizárólag professzionális felhasználásra.
- A terméket és tartozékait semmilyen módon nem szabad módosítani.
- Ne használja a terméket, ha sérült.
- Ha a termék adatai vagy az előírt sebességre vonatkozó vagy veszélyre figyelmeztető címkék a terméken nem olvashatók vagy leváltak, a lehető leghamarabb tegyen fel újakat.
- A termék üzembe helyezését, üzemeltetését és szervizelését kizárólag szakképzett személy végezheti ipari környezetben.

Rendeltetésszerű használat

Ezt a terméket menetes csavarok fába, fémbe vagy műanyagba való beszereléséhez és eltávolításához tervezték.

Kábel- és akkumulátorszerszámok: Kizárólag beltéri használatra alkalmas. Más jellegű használata nem megengedett.

A gyártó által eredetileg szállítottól eltérő pótalkatrészek vagy kiegészítők használata teljesítménycsökkenést, a karbantartási igény, a zajszint vagy a vibrációs szint növekedését, ennek eredményeképpen pedig a gyártó felelősségének megszűnését idézheti elő.

Termékspecifikus utasítások

Működtetés

Levegőellátási követelmények

1. A szerszám számára tiszta, száraz levegőellátást kell biztosítani, 6,3 bar (90 psi) maximális nyomással. A nagyobb nyomás drasztikusan csökkenti a szerszám élettartamát.
2. Csatlakoztassa a szerszámot a légvezetékhez a 3. ábrán látható cső-, tömlő- és szerelvényméretekkel.

Telepítés / működtetés

1. A 3. ábrán látható módon csatlakoztassa a szerszámot.
2. A szerszám elindításához húzza meg a biztonsági kart (1), és nyomja meg a szabályozókart (2).
3. A szerszám sebessége a szabályozókar (2) erősebb megnyomásával növelhető. Lásd az 2. ábrát.

- A szerszám leállításához engedje fel a szabályozókart (1). Lásd az 1. ábrát.

A fej elfordítása

Lásd az 4. ábrát.

- Állítsa le a szerszámot.
- Nyomja előre a záróhüvelyt (1).
- Változtassa meg a szerszámfej pozícióját felfelé vagy lefelé (2), vagy vissza alapállásba. Lásd az 1. ábrát.
- A fej helyzetének rögzítéséhez nyomja hátrafelé a záróhüvelyt (1). Lásd az 1. ábrát.

FIGYELEM

- Ha a szerszámfej nincs lezárva, ne indítsa el a szerszámot.

A forgásirány megváltoztatása

Lásd az 5. ábrát.

- Állítsa le a szerszámot.
- Fordítsa el a gombot (1) a szerszámfej óramutató járásával megegyező vagy ellentétes irányba történő elforgatásához.
- Indítsa el újra a szerszámot.

A munka befejezése után

FIGYELEM A leállási idő 5 másodpercnél tovább tarthat.

- Mielőtt letenné a szerszámot, győződjön meg arról, hogy kikapcsolta, és teljesen leállt.
- A leálláshoz szükséges idő a használt csiszológól függ.

Óvatosan tegye le a szerszámot, úgy, hogy az ne indulhasson be magától.

Szervizelés és karbantartás

Kenés

Használjon légvezetékkenőt SAE #10 olajjal, percnkénti két (2) cseppes beállítással.

Karbantartási útmutató

- A biztonságos kezelés és ártalmatlanítás érdekében valamennyi részegység esetében tartsa be az adott ország környezetvédelmi rendelkezéseit.
- A karbantartási és javítási munkálatokat kizárólag szakképzett személyek végezhetik eredeti cserealkatrésszel. Műszaki segítségért vagy cserealkatrész-igény esetén forduljon a gyártóhoz vagy a legközelebbi forgalmazóhoz.
- A véletlen bekapcsolás elkerülése érdekében mindig győződjön meg arról, hogy a gép le van választva az áramforrásról.
- Napi használat esetén 3 havonta (500 óránként) szerelje szét és ellenőrizze a szerszámot. Cserélje ki a sérült vagy kopott alkatrészeket.
- Az állásidő minimalizálása érdekében a következő szervizkészlet használata ajánlott: **Teljesítménynövelő készlet**

Hulladékkénti elhelyezés

- A készülék hulladékba helyezését az adott ország törvényeinek megfelelően kell végezni.
- Minden sérült, elhasználódott vagy nem megfelelően működő eszközt **KI KELL VONNI A HASZNÁLATBÓL**.

Általános biztonsági utasítások

Levegőellátó rendszerrel és csatlakozásokkal kapcsolatos veszélyek

- A nyomás alatt lévő levegő súlyos sérüléseket okozhat.
- Ha a szerszám nincs használatban, bármilyen termékbeállítás művelet, például tartozékok cseréje vagy javítások előtt zárja el a levegőadagolást, ürítse ki a tömlőt és válassza le az eszközt a levegővezetékéről.
- Soha ne irányítsa a levegőt önmaga vagy más személyek felé
- A nyomás alatt lévő lengő tömlők komoly sérüléseket okozhatnak. Mindig ellenőrizze, hogy a tömlők és csatlakozások ne legyenek hibásak vagy meglazulva.
- Ne használjon gyorscsatlakozási szerkezeteket a szerszámmal. Vegye figyelembe a helyes összeállításra vonatkozó utasításokat.
- Amennyiben általános szorítófogókat használ, rögzítőszegeket kell felszerelni.
- Ne lépje túl a 6,3 bar / 90 psi értékű – vagy az adattáblán feltüntetett – maximális levegőnyomást.

Beakadási veszélyek

- Tartsa be a forgó meghajtástól a védőtávolságot! Laza ruházat, kesztyűk, ékszerek, nyaklánc vagy hajdísz viselése esetén fulladásveszély állhat be, vagy a szerszám becsípheti a haját és a bőrt.
- A forgó részek becsíphetik a kesztyűket, ami az ujjak súlyos sérülését, akár törését is okozhatja.
- A forgó fejek foglalatja és a forgórész bővítmények könnyen becsíphetik a gumibevonatú vagy fém megerősítésű kesztyűket.
- Ne viseljen bő vagy levágott ujjú kesztyűt.
- Soha ne a fejet, a foglalatot vagy a bővítményt tartsa.

Repülő részek miatti veszély

- Mindig viseljen ütészálló szem- és arcvédőt az eszköz használata közben, illetve a működő eszköz közelében, valamint javítás, karbantartás vagy alkatrészcsere közben.
- Ügyeljen, hogy az eszköz környezetében mindenki viseljen ütészálló szem- és arcvédőt. Még kisebb repülő részek is megsérthetik a szemet, és vaktságot okozhatnak.
- Az alulhúzott vagy túlhúzott kötőelemek súlyos sérülést okozhatnak, mivel törhetnek, kilazulhatnak és leválhatnak. A kilazult szerelvények nagy sebességgel lerepülhetnek. Az előírt nyomatékú csatlakozódarabok nyomatékát nyomatékmérővel kell ellenőrizni.

MEGJEGYZÉS Az úgynevezett „kattanós” nyomatékkulcsokkal nem lehet megállapítani egy esetleges túlhúzást, ami veszélyes lehet.

- A szerszámot ne üzemeltesse a munkaműveleten kívül. Túl gyorsan foroghat és ennek hatására a tartozékok lerepülhetnek a szerszámról.
- Rögzítse biztonságosan a munkadarabot.

A tartozékokkal kapcsolatos veszélyek

- Csak megfelelő tartozék-befogókat használjon (lásd az alkatrészjegyzéket). Lehetőség szerint mély dugókulcsokat használjon.
- A csapot és az O-gyűrűs aljzat-visszatartást használó szerszámoknál használja az O-gyűrűt az aljzat-csap biztonságos rögzítéséhez.
- Csak jó állapotban levő, ütvecsavarozóhoz való méretezett dugókulcsokat és tartozékokat használjon. A rossz állapotú dugókulcsok, illetve a kéziszerszámhoz való dugókulcsok és tartozékok szétropanhatnak és lövedékként kirepülhetnek.
- Mindig a lehető legegyszerűbb toldást használja. A hosszú és rugós hosszabbító rudak és illesztő elemek felveszik az ütési energiát és eltörhetnek. Lehetőség szerint mély dugókulcsokat használjon.
- Működés közben ne érintse meg a dugókulcsokat vagy a tartozékokat, mert ez növeli a vágási, égési vagy vibrációs sérülések kockázatát.

Veszélyek működés közben

- A kezelőnek és a karbantartónak képesnek kell lennie a szerszám kezelésére, tekintetbe véve annak méreteit, súlyát és teljesítményét.
- Tartsa a berendezést megfelelően: készüljön fel a normál és hirtelen mozdulatok kezelésére – mindkét kezét tartsa szabadon.
- Ne használja csökkentett levegőnyomással vagy kopott állapotban: előfordulhat, hogy a tengelykapcsoló meghibásodik és a szerszám markolata hirtelen elfordul.
- Mindig legyen ura szabályozónak! Ne kerüljön a szerszám és a munkadarab közé!

Ismétlődő mozgással kapcsolatos veszélyek

- Amikor az elektromos szerszámmal végez munkát, a gépkezelő kényelmetlenséget érezhet karjában, kezén, vállain, nyakán, vagy teste egyéb részein.
- Munka közben lehetőleg kényelmes pozíciót vegyen fel, biztos lábtartással, elkerülve a kényelmetlen vagy nem egyensúlyban lévő testhelyzetet. A hosszabb munkák közben változtasson testtartásán, mert így kevésbé fárad.
- Ne hagyja figyelmen kívül a különböző tüneteket, például a visszatérő kényelmetlenség érzetet, fájdalmat, lüktető fájdalmat, sajgó fájdalmat, zsibbadást. Ilyen tünetek esetén állítsa le a gépet, jelentse munkáltatójának és forduljon orvoshoz.

Zajjal és vibrációval kapcsolatos veszélyek

- A nagy zajszint tartós halláskárosodást és egyéb problémákat – például fülzúgást – okozhat. Használjon zajvédelmi eszközöket a munkáltató előírásai, illetve a munkaegészségügyi vagy munkabiztonsági előírások szerint.
- A vibrációnak való kitettség a kezek és a karok vérellátását, valamint az idegszálfunkciókat akadályozhatja. Viseljen meleg ruházatot és kezeit tartsa melegen és

szárazon. Hagyja abba a szerszám használatát és forduljon orvoshoz, ha zsibbadás, viszketés, fájdalom vagy a bőr elfehéredése lép fel!

- A szerszámot ne szorítsa, de biztosan tartsa, mivel a vibrációs kockázat általában nagyobb, ha a szerszámot szorítja.
- Ha lehetséges használjon egy felfüggesztő kart vagy szereljen fel egy oldalsó fogót.
- A vibrációs szint szükségtelen növekedésének megelőzése érdekében a tartozékok kiválasztása, karbantartása és cseréje során tartsa be az útmutatóban leírtakat.
- Ne használjon kopott vagy rosszul illeszkedő csavarbehajtó fejeket, dugókulcsokat vagy toldatokat, ez ugyanis a vibráció jelentős növekedését okozhatja.

Munkavégzési óvintézkedések

- A megcsúszás, megbotlás és elesés a súlyos sérülés vagy halál fő oka. Ügyeljen a közlekedő és munkaterületeken levő felesleges tömlőszakaszokra!
- Ne lélegezze be a port és ne érintse meg a munkafolyamatból származó olyan törmeléket, amely káros lehet egészségére (pl. rákot okozhat, szülési rendellenességekhez vezethet vagy asztmát és/vagy dermatitist okozhat). Ha olyan anyagokkal dolgozik, amelyek légi úton terjedő részecskéket eredményeznek, használjon porelszívást és viseljen légzőkészüléket.
- A szerszámmal végzett csiszolás, vágás, simítás, fúrás vagy más építkezési tevékenységek során keletkező por olyan kémiai anyagokat tartalmaz, melyeket a Kalifornia állam hatóságai a rákkeltő, születési rendellenességeket vagy más szaporodási ártalmakat okozó anyagok közé soroltak. Ilyen kémiai anyagokra például a következők:
 - Ólom az ólomtartalmú festékekből
 - Kristályos szilíciumdioxid téglából, cementből és más építőanyagokból
 - A gumi kémiai kezeléséből származó arzén és króm

Az ilyen kockázatoknak való kitettség attól függően változik, hogy milyen gyakran végez ilyen típusú munkát. A vegyi anyagoknak való kitettség kockázatának csökkentése érdekében: dolgozzon jól szellőztetett környezetben és használjon jóváhagyott biztonsági védőfelszereléseket, mint például kifejezetten a mikroszkopikus részecskék szűrésére kidolgozott porvédő maszkok.

- Ismeretlen környezetben óvatosan mozogjon. Legyen tudatában a munkavégzés során keletkező potenciális veszélyeknek! Ez a szerszám nem rendelkezik elektromos áramforrásokkal történő érintkezéshez elektromos szigeteléssel.
- Ezt a szerszámot ne használja potenciálisan robbanékony környezetben.

i **További biztonsági információk a pneumatikus hor-
dozható kéziszerszámokról:**

- CAGI 2528 – B186.1, PNEUMATIKUS HOR-DOZHATÓ KÉZISZERSZÁMOK BIZTONSÁGI ELŐÍRÁSAI, elérhető a „Global Engineering Documents” honlapról (<https://global.ihs.com/>), vagy hívja az +1 800 447-2273-as telefonszámot. Ha problémát okozna az ANSI-szabványok beszerzése, lépjen kapcsolatba az ANSI-val a <https://www.ansi.org/> honlapon.

Hasznos információk

Származási ország

Taiwan

Weboldal

A termékekre, a tartozékokra és a cserealkatrészekre, valamint a kiadványainkra vonatkozó információk a(z) Rodcraft weboldalán található.

Látogasson el a következő címre: www.rodcraft.com.

Biztonsági adatlap

A Rodcraft által értékesített kémiai termékeket a biztonsági adatlapok írják le.

További információkért, kérjük, tekintse meg a Rodcraft honlapját: qr.cp.com/sds.

Copyright

© Szerzői jog 2023, Desoutter GmbH, Edmund-Seng-Str. 3-5, 63477 Maintal, Germany

Minden jog fenntartva. A tartalom vagy annak bármely részének jogosulatlan használata vagy másolása tilos. Ez különösképpen vonatkozik a védjegyekre, a modellek megnevezéseire, az alkatrészszámokra és a rajzokra. Kizárólag engedélyezett alkatrészeket használjon. A nem engedélyezett alkatrészek használatából eredő bármilyen meghibásodásra vagy károsodásra a Jótállás és Termékfelelősség feltételei nem vonatkoznak.

Izjave

Izjava EU o skladnosti

V družbi Desoutter GmbH, Edmund-Seng-Str. 3-5, 63477 Maintal, Germany, na izključno lastno odgovornost izjavljamo, da je izdelek (z imenom, tipom in serijsko številko z naslovnice) skladen z naslednjimi direktivami:

2006/42/EC (17/05/2006)

Uporabljeni usklajeni standardi:
EN 11148-6:2013



Pristojni organ lahko zaprosi za pridobitev potrebnih tehničnih podatkov pri:
Pascal Roussy, R&D Manager, Ets Georges Renault, 38 rue Bobby Sands, BP10273 44818 Saint Herblain, France

Saint-Herblain, 2023/02/07

Pascal ROUSSY

Podpis

Deklaracija o hrupu in vibracijah

- Raven zvočnega tlaka 84.8 dB(A), negotovost 3 dB(A), v skladu s standardom ISO 15744.
- Raven jakosti zvoka 95.8 dB(A), negotovost 3 dB(A), v skladu s standardom ISO 15744.
- Skupna vrednost vibracij 13.08 m/s², uncertainty 1.63 m/s², v skladu s standardom ISO-28927-2.

Deklarirane vrednosti so bile pridobljene med preskusom v laboratoriju v skladu z omenjenimi standardi in so primerne za primerjavo z vrednostmi drugih orodij, ki so bila testirana v skladu z istimi standardi. Raven emisij pri vibracijah se lahko uporabi za predhodno oceno izpostavljenosti. Deklarirane vrednosti niso primerne za uporabo pri ocenjevanju tveganja. Izmerjene vrednosti v posameznih delovnih okoljih se lahko razlikujejo. Dejanske ravni izpostavljenosti in tveganja za posameznega uporabnika so edinstvene in odvisne od načina dela uporabnika, od obdelovanca in delovne površine ter od časa izpostavljenosti in fizičnega stanja uporabnika.

Družba Desoutter GmbH ne more odgovarjati za posledice uporabe navedenih vrednosti namesto vrednosti, ki odražajo dejansko izpostavljenost pri individualni oceni tveganja na delovnem mestu oz. stanju na delovnem mestu, nad katerimi ta družba nima nobenega nadzora.

Neustrezen način uporabe orodja lahko vodi v prenos vibracij na sistem dlan-roka (sindrom vibracij v dlaneh in rokah). EU navodila za zmanjšanje prenosa vibracij na sistem dlan-roka lahko najdete na <http://www.pneurop.eu/index.php>, kjer izberete »Tools« (orodja) in nato »Legislation« (zakonodaja).

Priporočamo program zdravstvenega nadzora za zgodnje odkrivanje simptomov, povezanih z izpostavljenostjo vibracijam, da se lahko z ustreznimi organizacijskimi ukrepi preprečijo nadaljnje poškodbe.

- i** Če je oprema namenjena za pritrditev na stroj:
Emisija hrupa je podana kot vodilo proizvajalca stroja.
Podatki o emisiji hrupa in vibracij za celoten stroj morajo biti navedeni v priložniku z navodili za uporabo stroja.

Informacije o 33. členu v sistemu REACH

Evropska uredba (EU) št. 1907/2006 o registraciji, evalvaciji, avtorizaciji in omejevanju kemikalij (REACH) med drugim določa zahteve glede obveščanja znotraj dobavne verige. Zahteve po obveščanju veljajo tudi za izdelke, ki vsebujejo t.i. snovi, ki zbujejo veliko skrb («seznam kandidatov»). 27. 06. 2018 je bil na seznam kandidatov dodan svinec (Št. CAS 7439921).

Skladno z zgoraj navedenim vas obveščamo, da lahko določene mehanske komponente izdelka vsebujejo svinec. To je v skladu s trenutno zakonodajo o omejevanju snovi in na osnovi zakonitih izjem v direktivi RoHS (2011/65/EU).

Svinec med običajno uporabo ne bo iztekal ali mutiral iz izdelka, koncentracija svinca v celotnem izdelku pa je bistveno nižja od veljavne mejne vrednosti. Prosimo, pri odstranjevanju svinca ob koncu življenjske dobe izdelka upoštevajte lokalne zahteve.

lokalne zahteve

⚠ OPOZORILO

Ta izdelek vas lahko izpostavi kanikalijam, vključno s svincom, ki po vedenju države Kalifornije povzroča raka in okvare ob rojstvu oz. druge reproduktivne težave. Za več informacij obiščite

<https://www.p65warnings.ca.gov/>

Varnost

NE ZAVRZITE – POSREDUJTE UPORABNIKU

⚠ OPOZORILO Preberite vsa varnostna opozorila, navodila, ilustracije in specifikacije, ki jih prejmete z električnim orodjem.

Če navodil, ki so navedena spodaj, ne upoštevate, lahko pride do električnega udara, požara in/ali hudih poškodb.

Vsa opozorila in navodila shranite za prihodnjo uporabo.

⚠ OPOZORILO Vedno je treba upoštevati vsa varnostna pravila za namestitev, uporabo in vzdrževanje, ki so skladna z lokalno zakonodajo.

Izjava o uporabi

- Samo za profesionalno uporabo.
- Tega izdelek in njegovih dodatkov ni dovoljeno spreminjati na noben način.
- Če je izdelek poškodovan, ga ne uporabljajte.
- Če postanejo oznake s podatki o izdelku ali opozorila na nevarnosti, ki so na izdelku, neberljivi ali odpadejo, jih morate takoj zamenjati.
- Izdelek lahko nameščajo, upravljajo in servisirajo samo osebe, usposobljene za tako delo v industrijskem okolju.

Predvidena uporaba

Ta izdelek je namenjen za namestitev in odstranitev navojnih pritrdilnih elementov v lesu, kovini ali plastiki.

Kabelsko in baterijsko orodje: Samo za notranjo uporabo. Druga uporaba ni dovoljena.

Uporaba drugih nadomestnih delov ali dodatkov, razen tistih, ki jih je prvotno dobavil proizvajalec, lahko povzroči poslabšanje delovanja in povečano potrebo po vzdrževanju, raven hrupa ali vibracije, ter posledično popolno razveljavitev odgovornosti proizvajalca.

Navodila, specifična za izdelek

Delovanje

Zahteva za dovod zraka

1. Do orodja dovajajte čist in suh zrak pod maks. pritiskom 90 psi (6,3 bara). Višji pritisk bistveno skrajša življenjsko dobo orodja.
2. Orodje povežite z linijo za zrak s pipo, cevjo in nastavki, kot je prikazano na *shemi 3*.

Namestitev / Delovanje

1. Orodje priključite kot je prikazano na *shemi 3*.
2. Za zagon orodja povlecite varnostno ročico (1) in potisnite ročico za plin (2).
3. Hitrost orodja povečate tako, da povečate pritisk na ročico za plin (2). *Glejte shemo 2*.
4. Za zaustavitev orodja izpusite ročico za plin (1). *Glejte shemo 1*.

Spreminjanje položaja glave

Glejte Shemo 4

1. Ustavite orodje.
2. Zaklepno čeljust (1) potisnite naprej.
3. Spremenite položaj glave orodja navzgor ali navzdol (2) oz. nazaj v običajni položaj. *Glejte Shemo 1*.
4. Zaklepno čeljust (1) potisnite nazaj, da zaklenete položaj glave. *Glejte Shemo 1*

⚠ OPOZORILO

- ▶ Orodja ne zaženite, če glava orodja ni zaklenjena.

Spreminjanje smeri vrtenja

Glejte Shemo 5

1. Ustavite orodje.
2. Obrnite gumb (1) za rotacijo glave orodja v smeri urinega kazalca oz. nasprotni smeri.
3. Ponovno zaženite orodje.

Po končanem delu

⚠ OPOZORILO Čas ustavljanja je lahko daljši od 5 sekund.

- ▶ Preden orodje odložite, morate poskrbeti, da bo izklopljeno in popolnoma zaustavljeno.
- ▶ Čas ustavljanja je odvisen od uporabljenega brusila.

Orodje odložite pazljivo, da se ne zažene samo od sebe.

Servisiranje in vzdrževanje

Mazanje

Za napeljavo za zrak uporabljajte mazalno enoto z oljem SAE #10, nasstavljeno na dve (2) kapljici na minuto.

Navodila za vzdrževanje

- Upoštevajte lokalne okoljske predpise glede varnega rokovanja z orodjem in odlaganja vseh sestavnih delov ob koncu življenjske dobe.

- Vzdrževanje in popravila lahko izvaja izključno usposobljeno osebje ter z uporabo originalnih nadomestnih delov. Če potrebujete tehnično pomoč ali nadomestne dele, se obrnite na proizvajalca ali najbližjega pooblaščenega prodajalca.
- Vedno poskrbite, da bo stroj odklopljen z vira energije, da se izognete nenamernemu sproženju delovanja.
- Če orodje uporabljate vsak dan, ga morate razstaviti in pregledati vsake 3 mesece (oz. 500 ur). Zamenjajte poškodovane ali obrabljene dele.
- Da bi bil čas nedelovanja čim krajši, se priporoča uporaba naslednjega servisnega kompleta: **Komplet za uravnavanje (Tune-up kit)**

Odstranjevanje

- Pri odlaganju opreme ob koncu življenjske dobe morate upoštevati zakonodajo svoje države.
- Vse poškodovane, močno obrabljene ali nepravilno delujoče naprave **JE TREBA PRENEHATI UPORABLJATI**.

Splošna varnostna navodila

Nevarnosti pri oskrbi z zrakom in njegovi priključitvi

- Zraka nikoli ne usmerjajte proti sebi ali drugi osebi.
- Ko zaključite z delom, preden zamenjate priključke ali pred popravilom vedno zaprite dovod zraka, sprostite pritisk v zračni cevi in orodje odklopite od dovoda zraka.
- Zraka nikoli ne usmerjajte proti sebi ali drugi osebi.
- Opletajoče cevi lahko povzročijo hude poškodbe. Vedno pregledajte, ali so oprema in cevi poškodovane oziroma slabo pritrjene.
- Na orodju ne uporabljajte hitrih spojk. Za pravilno ureditev si pogledjte navodila.
- Če uporabljate univerzalne vzmetne spojke, morate namestiti varnostne zatiče.
- Ne presežite največjega zračnega pritiska 6,3 bara/90 psig ali kot je navedeno na označevalni tablici orodja.

Tveganja zaradi zapletanja

- Ne približujte se vrtečemu se pogonu. Če ohlapna oblačila, rokavice, nakit, ogrlice in lase približate orodju in pripomočkom, lahko pride do dušenja, iztrganja las in / ali ran.
- Rokavice se lahko zapletejo v rotacijski pogon in povzročijo amputacijo ali zlome prstov.
- Rokavice, prevlečene z gumo ali ojačane s kovino, lahko z lahkoto povleče v puše rotacijskih pogonov in podaljške pogonov.
- Ne nosite ohlapno prilegajočih se rokavic ali rokavic z odrezanimi oziroma nacefranimi prsti.
- Nikoli ne primite za pogon, pušo ali podaljšek pogona.

Tveganja izvrženih kosov

- Vedno ko delate s tem orodjem, na njem opravljate popravila ali vzdrževanje, menjate priključke ali ste v njegovi bližini, nosite na udarce odporno zaščito za oči in obraz.

- Preverite, ali zaščito za oči in obraz, ki je odporna na izvržene predmete, nosijo vsi okoli vas. Tudi majhen izvržen predmet lahko oči poškoduje in povzroči slepoto.
- Zaradi preveč ali premalo privitih spojnih elementov, ki se lahko odlomijo ali se odvijajo in ločijo, lahko pride do hudih poškodb. Sproščene sklope lahko izstreli ven. Sklopi, pri katerih je potreben poseben zatezni moment, je treba preverjati z merilnikom zateznega momenta.
OPOMBA: Tako imenovani "klik" torzijski ključki ne preverjajo potencialno nevarnih okoliščin previsokega vrtilnega momenta.
- Orodja nikoli ne uporabljajte stran od obdelovanega dela. Lahko bi delovalo prehitro in povzročilo, da bi pripomoček odletel z orodja.
- Poskrbite, da bo obdelovanec dobro pritrjen.

Tveganja pri namestitvi

- Uporabljajte samo primerne nosilce za pripomočke (poglejte si Seznam delov). Kadar je le mogoče, uporabljajte globoke nasadne nastavke.
- Za orodja, pri katerih se uporablja zatič in zadrževalni sistem za pušo tesnila O, uporabite tesnilo O, da zavarujete zatič puše.
- Uporabljajte samo nasadne nastavke in pripomočke za udarni vijačnik, ki so v dobrem stanju. Nasadni nastavki, ki so v slabem stanju, ali nastavki in priključki za ročno uporabo se ob uporabi z udarnim vijačnikom lahko zdrobijo in odletijo naokrog.
- Vedno uporabite najenostavnejšo povezavo. Dolgi, prožni palični podaljški in adapterji absorbirajo udarno moč in se lahko zlomijo. Kadar je le mogoče, uporabljajte globoke nasadne nastavke.
- Med delovanjem se ne dotikajte nasadnih nastavkov ali dodatkov, saj to poveča tveganje za ureznine, opekline ali poškodbe zaradi tresljajev.

Tveganja pri delu

- Upravljalci morajo biti fizično sposobni upravljati tovor, težo in moč orodja.
- Orodje držite v pravilnem položaju: Bodite pripravljeni na protikupe na običajne ali nenadne premike in uporabljajte obe roki.
- Orodja ne uporabljajte, ko je zračni tlak znižan in v obrabljjenem stanju: mogoče je, da sklopka ne bo delovala, zaradi česar lahko pride do nenadnega zasuka držala orodja.
- Sprožilec morate imeti ves čas pod nadzorom. Pazite, da se ne bi znašli med orodjem in materialom, na katerem delate.

Nevarnosti zaradi ponavljajočega se premikanja

- Pri uporabi električnega orodja za izvajanje aktivnosti, povezanih z delom, lahko uporabnik začuti neudobje v rokah, zgornjih udih, ramenih, vratu ali drugih delih telesa.
- Uporabljajte udobno držo in ohranjajte varno oporo ter se izogibajte neudobnim ali neuravnoteženim držam. S spreminjanjem drže med daljšimi opravili lahko preprečite neugodje in utrujenost.

- Ne prezrite simptomov, kot so vztrajno ali ponovljivo neudobje, bolečina, drhtenje, ščemenje, zvenenje, otopelost, občutek žganja ali otrdelost. Prenehajte uporabljati orodje, obvestite delodajalca in se posvetujte z zdravnikom.

Nevarnosti hrupa in vibracij

- Visoke ravni zvoka lahko povzročijo trajno izgubo sluha in druge težave, kot so zvonjenje v ušesih. Uporabljajte zaščito za ušesa, kot jo priporoča delodajalec ali predpisi o poklicnem zdravju in varnosti.
- Izpostavljenost vibracijam lahko poškoduje na živce in prepreči pretok krvi v roke ter zgornje ude. Nosite topla oblačila in roke ohranjajte tople ter suhe. V primeru da pride do otrplosti, ščemenja, bolečin ali beljenja kože, prenehajte uporabljati to orodje, obvestite delodajalca in se posvetujte z zdravnikom.
- Orodje držite lahkotno vendar trdno, ker je tveganje zaradi vibracij na splošno večje, če orodje držite močneje.
- Če je možno, uporabite suspenzijsko roko ali namestite stranski ročaj.
- Dodatke, vstavke in potrošni material izbirajte, vzdržujte in menjajte v skladu z navodili za uporabo, da tako preprečite neželene porast stopnje tresljajev.
- Ne uporabljajte izrabljenih natičnih nastavkov, podaljškov ali drugih dodatkov, ter takih, ki se ne prilagajajo, saj lahko taki povzročijo bistveno povečanje tresljajev.

Nevarnosti na delovnem mestu

- Glavni vzroki za resne poškodbe ali smrt so zdrsi, spotiki in padci. Pazite na cevi, puščene na hodniku ali na delovni površini.
- Izogibajte se vdihavanju prahu ali hlapov ostankov iz delovnega procesa, ki lahko povzročijo poslabšanje zdravja (na primer, raka, dedne okvare, astmo in/ali dermatitis). Kadar delate z materiali, ki ustvarjajo leteče delce, uporabite sistem za odsesavanje prahu in nosite zaščito za dihalo.
- Mogoče je, da bo prah, ki nastane pri peskanju, žaganju, brušenju, vrtnanju ali drugih gradbenih dejavnostih, vseboval kemikalije, za katere je v zvezni državi Kaliforniji znano, da povzročajo raka, napake pri rojstvu ali druge razmnoževalne poškodbe. Nekateri primeri teh kemikalij so:
 - svinec iz barv na svinčeni osnovi
 - kristalinične kremenove opeke in cement ter drugi zidarski proizvodi
 - arzen in krom s kemijsko obdelane gume

Vaše tveganje pri teh izpostavljenjih je odvisno od tega, kako pogosto opravljate to vrsto dela. Da boste zmanjšali izpostavljenost tem kemikalijam: delajte v dobro prezračenem prostoru ter uporabljajte odobreno zaščitno opremo, kot so maske za prah, ki so izrecno namenjena za filtriranje mikroskopskih delcev.

- V neznanih okoliščinah bodite izjemno previdni. Zavedajte se mogočih nevarnosti, ki jih lahko ustvarite s svojimi delovnimi aktivnostmi. To orodje ni izolirano pred stikom z viri električnega toka.
- To orodje ni namenjeni uporabi v prostorih, kjer obstaja možnost eksplozije.

i Dodatne varnostne informacije o prenosnih pnevmatskih orodjih:

- CAGI 2528 - B186.1, VARNOSTNA KODA ZA PRENOSNA PNEVMATSKA ORODJA, na voljo v dokumentaciji Global Engineering na <https://global.ihs.com/> ali po telefonu +1 800 447-2273. V primeru težav pri pridobivanju standardov ANSI se obrnite na ANSI preko spletne strani <https://www.ansi.org/>.

Koristne informacije

Država izvora

Taiwan

Spletno mesto

Informacije o naših izdelkih, dodatni opremi, nadomestnih delih in objavljenih publikacijah lahko najdete na spletni strani Rodcraft.

Prosimo, obiščite: www.rodcraft.com.

Varnostni list

Varnostni listi opisujejo kemične izdelke, ki jih prodaja družba Rodcraft.

Prosimo, za več informacij pogledajte na spletno stran družbe Rodcraft - qr.cp.com/sds.

Avtorske pravice

© Avtorske pravice 2023, Desoutter GmbH, Edmund-Seng-Str. 3-5, 63477 Maintal, Germany

Vse pravice pridržane. Vsaka nepooblaščen uporaba ali razmnoževanje vsebine ali delov vsebine je prepovedano. To še posebej velja za blagovne znamke, označbe modelov, številke delov in slike. Uporabite samo pooblaščen dele. Garancija ali jamstvo za izdelek ne krije nobenih poškodb ali nepravilnega delovanja, ki ga povzroči uporaba nepooblaščenih delov.

Declaratii

Declarație de conformitate UE

Noi, **Desoutter GmbH**, Edmund-Seng-Str. 3-5, 63477 Maintal, Germany, declarăm pe propria răspundere că produsul (cu denumirea, tipul și numărul de serie - vezi prima pagină) este conform cu următoarea Directivă / următoarele Directive:

2006/42/EC (17/05/2006)

Standarde armonizate aplicate:

EN 11148-6:2013

Autoritățile pot solicita informații tehnice core-spunzătoare de la:

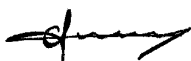
Pascal Roussy, R&D Manager, Ets Georges Renault, 38 rue Bobby Sands, BP10273 44818 Saint Herblain, France



Saint-Herblain, 2023/02/07

Pascal ROUSSY

Semnătură



Declarație cu privire la nivelul de zgomot și de vibrații

- Nivelul presiunii sunetului 84.8 dB(A) , incertitudine 3 dB(A), conform cu ISO 15744.
- Nivelul puterii sunetului 95.8 dB(A), incertitudine 3 dB(A), conform cu ISO 15744.
- Valoarea totală a vibrațiilor 13.08 m/s², incertitudine 1.63 m/s², conform cu ISO-28927-2.

Aceste valori declarate au fost obținute prin teste de laborator, în conformitate cu standardele menționate și pot fi comparate cu valorile declarate ale altor unelte testate în conformitate cu aceleași standarde. Nivelul emisiilor de vibrații poate fi utilizat pentru evaluarea preliminară a expunerii. Nu se recomandă utilizarea acestor valori declarate în evaluările de risc, iar valorile măsurate în locurile de muncă individuale pot fi mai ridicate. Valorile reale de expunere și riscurile de vătămare experimentate de către un utilizator individual anume sunt unice și depind de modul în care utilizatorul execută lucrările, de piesa de lucru și de modelul stației de lucru, precum și de durata timpului de expunere și de starea fizică a utilizatorului.

Noi, **Desoutter GmbH**, nu putem fi considerați răspunzători de consecințele utilizării valorilor nominale în locul celor ce reflectă expunerea reală, într-o evaluare individuală a riscurilor unei situații care apare la un post de lucru asupra cărora nu avem control.

Această unealtă poate produce sindromul de vibrație mână-braț dacă nu este utilizată în mod adecvat. Ghidul UE privind gestionarea vibrațiilor mână-braț poate fi găsit prin accesarea <http://www.pneurop.eu/index.php> și selectarea opțiunii „Tools” (Unelte) și apoi „Legislation” (Legislație).

Vă recomandăm un program de monitorizare a sănătății pentru a detecta simptomele timpurii care pot apărea ca urmare a expunerii la zgomot și vibrații, astfel încât procedurile de management să poată fi modificate pentru a ajuta la prevenirea agravării situației.

- ❗ Dacă acest echipament este destinat aplicațiilor fixe:
Emisia de zgomot este precizată ca un ghid pentru constructorul de mașini. Datele pentru emisia de zgomot și vibrații pentru întreaga mașină trebuie prezentate în manualul de instrucțiuni al mașinii.

Informații referitoare la Articolul 33 din REACH

Regulamentul European (UE) Nr. 1907/2006 privind Înregistrarea, Evaluarea, Autorizarea și restricționarea Substanțelor chimice (REACH) definește, printre altele, cerințele privind comunicarea din lanțul de aprovizionare. Cerința privind informarea se aplică și la produsele care conțin așa numite Substanțe care prezintă motive de îngrijorare deosebită („Listă a substanțelor identificate în vederea unei eventuale includeri în procedura de autorizare”). Pe 27 iunie 2018

plumbul metal (CAS nr 7439-92-1) a fost adăugat la Lista substanțelor identificate în vederea unei eventuale includeri în procedura de autorizare.

Urmare a celor de mai sus, prin prezenta vă informăm că anumite componente mecanice din acest produs pot conține plumb metal. Aceasta este în conformitate cu legislația curentă privind restricția substanțelor și în baza excepțiilor legitime din Directiva RoHS (2011/65/UE). Plumbul metal nu se va scurge sau va suferi mutații din produs în timpul utilizării normale, concentrația de plumb metal din produsul finit este mult sub limitele prevăzute. Să aveți în vedere cerințele locale privind eliminarea plumbului la încheierea duratei de exploatare a produsului.

Cerințe regionale

⚠️ AVERTISMENT

Acest produs vă poate expune la substanțe chimice, inclusiv plumb, care este cunoscut Statului California ca fiind cauzator de cancer și de defecte la naștere sau de alte efecte nocive asupra funcției de reproducere. Pentru mai multe informații, accesați

<https://www.p65warnings.ca.gov/>

Siguranța

A NU SE ARUNCA - A SE PEDA UTILIZATORULUI

⚠️ AVERTISMENT Citiți toate avertismentele, instrucțiunile, ilustrațiile și specificațiile furnizate împreună cu unealta.

În cazul nerespectării tuturor instrucțiunilor de mai jos, este posibilă producerea unei electrocutări, unui incendiu și/sau a unei vătămări grave.

Păstrați toate avertismentele și instrucțiunile pentru consultări ulterioare.

⚠️ AVERTISMENT Trebuie respectate permanent toate reglementările de siguranță din legislația locală privind instalarea, utilizarea și întreținerea.

Declarație privind utilizarea

- Exclusiv pentru utilizarea profesională.
- Acest produs și accesoriile sale nu trebuie modificate în niciun fel.
- Nu utilizați acest produs dacă este deteriorată.
- În cazul în care datele produsului sau etichetele de avertizare la pericole de pe acesta devin ilizibile sau se detașează, înlocuiți-le imediat.
- Produsul trebuie instalat, utilizat și întreținut exclusiv de către personalul calificat, într-un mediu industrial.

Scop preconizat

Acest produs este destinat instalării și demontării pieselor de asamblare filetate din lemn, metal sau plastic.

Unelte cu cablu și baterie: A se folosi exclusiv la interior. Nu este permis niciun alt scop de utilizare.

Utilizarea unor piese de schimb sau accesorii, altele decât cele originale, recomandate sau furnizate de către producător pot duce la scăderea în performanță a sculei și la costuri ridicate cu întreținerea sculei, intensificarea nivelului vibrațiilor și, prin urmare, chiar la pierderea garanției oferite de producător.

Instrucțiuni specifice produsului

Operarea

Cerințele privind alimentarea cu aer

1. Asigurați aer uscat și curat cu presiunea maximă de 90 psi (6,3 bar) pentru unealtă. Presiunea mai ridicată reduce drastic viața uneltei.
2. Conectați unealta la linia pneumatică folosind dimensiunile de tub, furtun și adaptor indicate în *schema 3*.

Instalarea / Operarea

1. Conectați unealta ca în *schema 3*.
2. Pentru a porni unealta, trageți de maneta de siguranță (1) și apăsați maneta de acționare (2).
3. Creșteți turația uneltei prin creșterea presiunii aplicate pe maneta de acționare (2). Consultați *schema 2*.
4. Eliberați maneta de acționare (1) pentru a opri unealta. Consultați *schema 1*.

Schimbarea poziției capului

Consultați Schema 4

1. Opriți unealta.
2. Împingeți în față manșeta de blocare (1).
3. Schimbați poziția capului uneltei în sus sau jos (2) sau înapoi la poziția normală. Consultați *Schema 1*.
4. Împingeți la loc manșeta de blocare (1) pentru a bloca poziția capului. Consultați *Schema 1*.

AVERTISMENT

- Dacă capul uneltei nu este blocat, nu porniți unealta.

Schimbarea direcției de rotație

Consultați Schema 5

1. Opriți unealta.
2. Rotiți butonul rotativ (1) pentru a roti capul uneltei în sens orar sau antiorar.
3. Porniți din nou unealta.

După încheierea activității

AVERTISMENT Durata de oprire poate fi mai mare de 5 secunde.

- Unealta trebuie să fie dezactivată și complet oprită înainte de a fi lăsată din mână.
- Durata de oprire depinde de tipul foii abrazive folosite.

Puneți jos unealta cu atenție pentru a vă asigura că aceasta nu pornește accidental/singură.

Service-ul și întreținerea

Lubrifiere

Folosiți un lubrifiant al liniei pneumatice cu ulei SAE #10 reglat la două (2) picături pe minut.

Instrucțiuni de întreținere

- Respectați reglementările locale privind mediul din țara respectivă pentru manipularea și eliminarea în siguranță a tuturor componentelor.
- Lucrările de întreținere și reparații trebuie efectuate de personal calificat, folosind numai piese de schimb originale. Contactați producătorul sau cel mai apropiat distribuitor autorizat pentru consultanță cu privire la serviciul tehnic sau dacă aveți nevoie de piese de schimb.
- Pentru evitarea pornirii accidentale trebuie verificat întotdeauna dacă echipamentul a fost deconectat de la sursa electrică.
- Dacă echipamentul este utilizat zilnic, acesta trebuie dezamblat și verificat la fiecare 3 luni (500 de ore). Înlocuiți piesele deteriorate sau uzate.
- Pentru reducerea la minimum a timpilor morți se recomandă utilizarea următoarei truse de service: **Trusă de reglaj**

Casarea

- Legislația din țara respectivă trebuie respectată la eliminarea acestui echipament.
- Toate echipamentele deteriorate, foarte uzate sau care funcționează defectuos **NU TREBUIE FOLOSITE**.

Instrucțiuni generale de siguranță

Pericole asociate alimentării cu aer și conexiunilor

- Aerul comprimat poate cauza vătămări grave.
- Când nu utilizați unealta, înaintea înlocuirii accesoriilor sau când efectuați reparații, opriți alimentarea cu aer, goliți furtunul de aer comprimat și deconectați unealta de la sursa de aer.
- Nu îndreptați niciodată jetul de aer spre persoane.
- Furtunurile cu aer comprimat scăpate de sub control pot provoca vătămări grave. Verificați întotdeauna dacă există furtunuri și racorduri deteriorate sau slabe.
- Nu folosiți cuplaje de deconectare rapidă la această unealtă. Pentru asamblarea corectă consultați instrucțiunile.
- Dacă folosiți cuplaje universale cu răsucire, trebuie montate știfturi de blocare.
- Nu depășiți presiunea maximă a aerului de 6,3 bar / 90 psig sau cea specificată pe plăcuța cu datele tehnice de pe unealtă.

Pericole de agățare și încurcare

- Păstrați distanța față de axul rotativ. Este posibilă producerea de strangulări, scalpări sau lacerări dacă hainele largi, mânușile, bijuteriile, podoabele pentru gât și părul nu sunt ținute la distanță de unealtă și de accesoriile acesteia.
- Mânușile se pot prinde în axul rotativ, provocând secționarea sau fracturarea degetelor.

- Adaptoarele axului rotativ și prelungitoarele de acționare pot apuca cu ușurință mânușile cauciucate sau cu ranforsare metalică.
- Nu purtați mănuși largi, cu degete franjurate sau fără degete.
- Nu apucați niciodată axul, adaptorul sau prelungitorul de acționare.

Pericolele reprezentate de obiectele proiectate

- Purtați întotdeauna o mască de protecție rezistentă la șoc pentru ochi și față atunci când utilizați, reparați sau întrețineți o unealtă, când schimbați accesoriile acesteia sau când vă aflați în apropiere în cursul acestor operațiuni.
- Asigurați-vă că toți cei aflați în zonă poartă măști de protecție rezistente la impact pentru ochi și față. Chiar și obiectele proiectate de mici dimensiuni pot răni ochii și provoca orbirea.
- Dispozitivele de strângere aflate la valori de cuplu prea mici sau prea mari se pot sparge sau slăbi și desprinde, provocând vătămări grave. Ansamblurile eliberate pot deveni proiectile. Ansamblurile care necesită un anumit cuplu trebuie verificate cu ajutorul unui torsionmetru.

OBSERVAȚIE: Așa-numitele chei pneumatice cu „clichet” nu verifică dacă înșurubarea este excesivă, ceea ce poate fi periculos.

- Nu acționați niciodată unealta în lipsa piesei de prelucrat. Este posibil ca turația acesteia să crească excesiv, iar accesoriul montat să fie proiectat.
- Piesa de prelucrat trebuie fixată ferm.

Pericolele prezentate de accesorii

- Utilizați numai dispozitive de blocare adecvate pentru accesorii (consultați lista pieselor). Dacă este posibil utilizați adaptoare adânci.
- În cazul uneltelor care utilizează sistemul de fixare a adaptorului cu șurub și oring, folosiți oringul pentru fixarea sigură a șurubului adaptorului.
- Utilizați numai adaptoare și accesorii pentru chei cu impact și în stare bună de funcționare. Adaptoarele uzate sau adaptoarele și accesoriiile pentru acționare manuală montate pe chei de impact se pot sfărâma și pot fi proiectate.
- Utilizați întotdeauna cel mai simplu mod de conectare. Prelungitoarele și adaptoarele lungi și flexibile absorb șocurile provocate de impact și se pot rupe. Dacă este posibil utilizați adaptoare adânci.
- Nu atingeți adaptoarele sau accesoriiile în timpul utilizării deoarece crește riscul de producere a unor leziuni prin tăiere, arsuri sau vibrații.

Pericole în timpul utilizării

- Operatorii și personalul de întreținere trebuie să fie ațți din punct de vedere fizic să controleze volumul, greutatea și forța uneltei.
- Unealta trebuie manevrată corespunzător: fiți pregătit să compensați eventualele mișcări normale sau bruște. Trebuie să aveți ambele mâini libere.

- A nu se utiliza dacă presiunea aerului comprimat este redusă sau în condiții de uzură: este posibil să nu funcționeze cuplajul și să se producă o rotație neașteptată a mânerului uneltei.
- Controlați întotdeauna turația uneltei. Nu vă poziționați între unealtă și piesele în lucru.

Pericole asociate mișcărilor repetitive

- Când utilizează o unealtă electrică pentru activități lucra-tive, operatorul poate resimți disconfort la nivelul mâinilor, brațelor, umerilor, gâtului sau altor zone ale corpului.
- Adoptați o poziție confortabilă, mențineți-vă sprijinul pe picioare și evitați pozițiile ciudate sau precare. Modifi-carea poziției în timpul executării unor sarcini prelungite poate evita disconfortul și oboseala.
- Nu ignorați simptomele precum disconfortul, durerile, tremurăturile, furnicăturile, amorțeala, senzațiile de ar-sură sau rigiditatea persistente și recurente. Încetați uti-lizarea uneltei, comunicați acest lucru angajatorului și adresați-vă unui medic.

Pericole asociate zgomotului și vibrațiilor

- Nivelul ridicat al sunetului poate provoca hipoacuzia per-manentă și alte probleme precum acufena. Folosiți mi-jloace de protecție pentru auz, așa cum este recomandat de către angajator sau în reglementările de siguranță și sănătate ocupațională.
- Expunerea la vibrații poate provoca dizabilități la nivelul nervilor și circulației mâinilor și brațelor. Purtați îm-brăcămintă calduroasă și păstrați-vă mâinile calde și us-cate. Dacă remarcați amorțeală, furnicături, durere sau al-birea pielii încetați utilizarea uneltei, comunicați acest lu-cru angajatorului și consultați un medic.
- Țineți unealta ușor dar sigur, deoarece riscul asociat vi-brațiilor este mai mare dacă forța de apucare este cres-cută.
- Dacă este posibil folosiți un braț de suspensie sau montați un mâner lateral.
- Selectați, întrețineți și înlocuiți accesoriile și consuma-bilele/unealta introdusă în conformitate cu manualul de instrucțiuni, pentru a preveni o creștere inutilă a nivelului de vibrații.
- Nu utilizați bituri de șurubelniță, adaptoare sau prelungi-toare uzate sau neadaptate, deoarece este posibil ca ace-s-tea să provoace o creștere substanțială a vibrațiilor.

Riscuri asociate locului de muncă

- Alunecările/împiedicarea/căzăturile sunt cauze majore de vătămare gravă sau deces. Acordați atenție porțiunilor de furtun rămase pe podea sau pe suprafața de lucru.
- Evitați inhalarea pulberilor, vaporilor sau sfărâmăturilor produse în procesul de lucru deoarece pot produce îmbol-năviri (de exemplu cancer, malformații la naștere, astm și/sau dermatite). Când lucrați cu materiale care pot pro-duce particule în suspensie, utilizați extractoare de praf și purtați echipament de protecție a căilor respiratorii.
- Anumite tipuri de praf produs prin sablare, tăiere, polizare, găurire sau în urma altor activități din con-strucții conțin substanțe chimice care, după cum se știe în

statul California, sunt cancerigene și provoacă malformații congenitale sau afecțiuni reproductive. Printre aceste chimicale se numără:

- Plumbul din vopsele pe bază de plumb
- Cărămizile și cimentul pe bază de oxid de siliciu cristalizat și alte produse de zidărie
- Arsenicul și cromul din cauciucul tratat chimic

Riscul specific acestor expuneri variază în funcție de frecvența efectuării activității respective. Pentru a reduce expunerea la aceste chimicale: lucrați într-o zonă bine aerisită și dotată cu echipamente de protecție aprobate, precum măștile de praf proiectate special pentru filtrarea particulelor microscopice.

- Procedați cu atenție în medii insuficient cunoscute. Conștientizați riscurile asociate activității desfășurate. Această unealtă nu este izolată în cazul contactului cu surse electrice.
- Această sculă electrică nu este destinată utilizării în atmosfere potențial explozive.

i Informații suplimentare referitoare la siguranța uneltelor pneumatice portabile:

- CAGI 2528 - B186.1, CODUL DE SIGURANȚĂ PENTRU UNELTE PNEUMATICE PORTABILE, disponibile la Global Engineering Documents la <https://global.ihs.com/> sau sunați la +1 800 447-2273. Dacă apar dificultăți în obținerea standardelor ANSI, contactați ANSI prin <https://www.ansi.org/>

Informații utile

Țara de origine

Taiwan

Site web

Informațiile referitoare la Produsele, Accesoriiile, Piesele de schimb și Publicațiile noastre se găsesc pe site-ul web Rodcraft.

Vă rugăm să vizitați: www.rodcraft.com.

Fișă tehnică de securitate

Fișele tehnice de securitate descriu produsele chimice vândute de Rodcraft.

Pentru mai multe informații, consultați site-ul web Rodcraft qr.cp.com/sds.

Drepturi de autor

© Copyright 2023, Desoutter GmbH, Edmund-Seng-Str. 3-5, 63477 Maintal, Germany

Toate drepturile rezervate. Este interzisă utilizarea sau copierea integrală sau parțială a conținutului. Acest lucru este valabil pentru mărcile comerciale, denumirile modelelor, numerele componentelor și schițe. A se utiliza exclusiv piese au-

torizate. Eventualele deteriorări sau defecțiuni cauzate prin utilizarea de piese neautorizate nu sunt acoperite de garanție, nici de certificatul de conformitate.

Beyanlar

AB Uygunluk Beyanı

Biz, **Desoutter GmbH**, Edmund-Seng-Str. 3-5, 63477 Maintal, Germany tamamen kendi sorumluluğumuz altında, ürünün (adı, tipi ve seri numarası ile, ön sayfaya bakınız) aşağıdaki Direktif(ler)e uygun olduğunu beyan ederiz:

2006/42/EC (17/05/2006)

Uygulanan uyumlaştırılmış standartlar:

EN 11148-6:2013

Yetkililer ilgili teknik bilgileri şuradan talep edebilirler:

Pascal Roussy, R&D Manager, Ets Georges Renault, 38 rue Bobby Sands, BP10273 44818

Saint Herblain, France

Saint-Herblain, 2023/02/07

Pascal ROUSSY

İmza



Gürültü ve Titreşim Açıklaması

- Ses basıncı seviyesi 84.8 dB(A), belirsizlik 3 dB(A); ISO 15744 standardına göre.
- Ses gücü seviyesi 95.8 dB(A), belirsizlik 3 dB(A); ISO 15744 standardına göre.
- Titreşim toplam değeri 13.08 m/s², belirsizlik 1.63 m/s², ISO-28927-2 standardına göre.

Beyan edilen bu değerler, belirtilen standartlara göre yapılan laboratuvar tipi testlerle elde edilmiştir ve aynı standartlara göre test edilen diğer aletlerin beyan edilen değerlerini karşılaştırmak için uygundur. Titreşim emisyon seviyesi bir ilk maruziyet değerlendirmesi için kullanılabilir. Beyan edilen bu değerler, risk değerlendirmelerinde kullanmak için yeterli değildir ve bireysel iş yerlerinde ölçülen değerler daha yüksek olabilir. Gerçek maruz kalma değerleri ve bireysel kullanıcının görebileceği zarar riski duruma özgüdür ve kullanıcının çalışma şekline, iş parçasına ve iş istasyonu tasarımı ile kullanıcının maruz kalma süresi ve fiziksel durumuna bağlıdır.

Desoutter GmbH olarak, üzerinde kontrolümüz olmayan bir işyeri durumunda gerçekleşen bireysel bir risk değerlendirmesinde gerçek maruziyeti yansıtan değerler yerine beyan edilen değerlerin kullanılmasının sonuçlarından sorumlu tutulamayız.

Bu alet, kullanımı yeterli derecede yönetilmediğinde el-kol titreşimi sendromuna yol açabilir. El-kol titreşimini yönetmekle ilgili AB kılavuzuna <http://www.pneurop.eu/index.php> sitesinde, 'Tools' (Araçlar) ve 'Legislation' (Mevzuat) seçeneğinden ulaşılabilir.

Gürültü veya titreşime maruz kalma ile ilgili olabilecek erken belirtileri tespit etmek için bir sağlık gözetimi programı öneriyoruz, böylece yönetim prosedürleri gelecekteki bozulmaları önlemeye yardımcı olacak şekilde değiştirilebilir.

- ⓘ Eğer bu ekipman sabitlenen uygulamalara yönelikse: Gürültü emisyonu makine üreticisi için bir kılavuz olarak verilmiştir. Makinenin tamamı için gürültü ve titreşim emisyon verileri makinenin kullanım kılavuzunda verilmektedir.

REACH Madde 33 ile ilgili bilgiler

Kimyasalların Kaydı, Değerlendirilmesi, İzni ve Kısıtlanmasına (REACH) ilişkin 1907/2006 sayılı Avrupa Tüzüğü (AB), diğer hususların yanı sıra tedarik zincirindeki iletişimle ilgili gereklilikleri tanımlamaktadır. Bilgi gereklilikleri ayrıca Çok Yüksek Endişe Verici Maddeler ("Aday Listesi") içeren ürünler için de geçerlidir. 27 Haziran 2018 tarihinde Aday Listesine kurşun metali (CAS No. 7439-92-1) eklenmiştir.

Yukarıdakilere uygun olarak, bu, ürünlerdeki bazı mekanik bileşenlerin kurşun metali içerebileceğini bildirmek içindir. Bu, mevcut madde kısıtlama mevzuatına uygundur ve RoHS Direktifindeki (2011/65/EU) yasal muafiyetlere dayanmaktadır. Kurşun metali normal kullanım sırasında üründen sızıntı yapmaz veya mutasyona uğramaz ve tüm üründeki kurşun metali konsantrasyonu geçerli eşik sınırının oldukça altındadır. Lütfen ürünün kullanım ömrü sonunda kurşunun bertaraf edilmesine ilişkin yerel gereklilikleri göz önünde bulundurun.

Bölgesel Gereklilikler

⚠ UYARI

Bu ürün Kaliforniya eyaleti tarafından kansere ve doğum kusurlarına veya diğer üreme rahatsızlıklarına neden olduğu bilinen kurşun dahil olmak üzere çeşitli kimyasallara maruz kalmanıza neden olabilir. Daha fazla bilgi için <https://www.p65warnings.ca.gov/> adresini ziyaret edin <https://www.p65warnings.ca.gov/>

Güvenlik

ATMAYIN - KULLANICIYA VERİN

⚠ UYARI Bu elektrikli alet ile birlikte verilen tüm güvenlik uyarılarını, talimatlarınızı, resimlerinizi ve spesifikasyonlarınızı okuyun.

Aşağıda belirtilen tüm talimatlara uyulmaması elektrik çarpmasına, yangına ve/veya ciddi yaralanmalara yol açabilir.

Gelecekte başvurmak üzere bütün uyarıları ve talimatları saklayın.

⚠ UYARI Kurulum, kullanım ve bakıma ilişkin tüm yerel güvenlik kurallarına her zaman uyulmalıdır.

Kullanım Beyanı

- Sadece profesyonel kullanım içindir.
- Bu ürün ve parçalarının hiçbir şekilde tadil edilmemesi gerekir.
- Bu ürün hasar görmüşse kullanmayın.
- Ürün verileri veya tehlike uyarı işaretleri okunamaz hale gelirse veya sökülürse, zaman kaybetmeden yenileyin.

- Ürün endüstriyel bir ortamda sadece nitelikli personel tarafından kurulmalı, çalıştırılmalı ve servisi yapılmalıdır.

Kullanım Amacı

Bu ürün, ahşap, metal veya plastik vidalı sabitleyicileri takmak ve sökmek için tasarlanmıştır.

Kablo ve pil araçları: Sadece iç mekanda kullanım. Başka bir kullanıma izin verilmez.

Üretici tarafından orijinal olarak sağlananlar dışında yedek parça veya aksesuarların kullanılması performansta düşüşe ve artan bakım, gürültü seviyesi veya titreşime ve bunun sonucunda üreticinin sorumluluğunun tamamen ortadan kaldırılmasına neden olabilir.

Ürüne Özel Talimatlar

Çalıştırma

Hava Besleme Gereksinimleri

1. Alete maksimum 90 psi (6,3 bar) basınçta temiz ve kuru hava veriniz. Daha yüksek basınç alet ömrünü önemli ölçüde azaltır.
2. Şema 3'te gösterilen boru, hortum ve bağlantı boyutlarını kullanarak aleti hava hattına bağlayın.

Kurulum / Çalıştırma

1. Aleti şema 3'te gösterildiği gibi bağlayın.
2. Aleti çalıştırmak için, emniyet kolunu (1) çekin ve gaz kolunu (2) itin.
3. Gaz kolu (2) üzerindeki basıncı arttırarak alet hızını arttırın. Bkz. Şema 2.
4. Aleti durdurmak için gaz kolunu (1) serbest bırakın. Bkz. Şema 1.

Dönen Baş Pozisyonu

Bkz. Şema 4

1. Aleti durdurun.
2. Kilit manşonunu (1) ileri itin.
3. Alet kafasının konumunu yukarı veya aşağı (2) değiştirin veya normal konuma geri getirin. Bkz. Şema 1.
4. Baş konumunu kilitlemek için kilit manşonunu (1) geri itin Bkz. Şema 1

⚠ UYARI

- ▶ Alet kafası kilitli değilse aleti çalıştırmayın.

Dönüş Yönünün Değiştirilmesi

Bkz. Şema 5

1. Aleti durdurun.
2. Alet kafasını saat yönünde veya saat yönünün tersine döndürmek için düğmeyi (1) çevirin.
3. Aleti tekrar çalıştırın.

İş tamamlandıktan sonra**⚠ UYARI Durma zamanı 5 saniyeden daha uzun olabilir.**

- ▶ Yere konulmadan önce aletin kapatılmış olduğundan ve tamamen durduğundan emin olun.
- ▶ Durdurma zamanı kullanılan aşındırıcıya bağlıdır.

Aletin kendi kendine çalışmayacağından emin olmak için aleti dikkatlice yere bırakın.

Servis ve Bakım**Yağlama**

Dakikada iki (2) damlaya ayarlanmış, SAE #10 yağ ile bir hava hattı yağlayıcısı kullanın.

Bakım talimatları

- Tüm bileşenlerin güvenli kullanımı ve bertarafı için yerel ülkenin çevre düzenlemelerine uyun.
- Bakım ve onarım çalışmaları sadece orijinal yedek parçalar kullanılarak kalifiye personel tarafından yapılmalıdır. Teknik servis konusunda tavsiye almak veya yedek parçaya ihtiyaç duymak için üreticiye veya size en yakın yetkili satıcıya başvurun.
- Kazara çalışmasını önlemek için her zaman makinenin elektrik bağlantısının kesildiğinden emin olun.
- Alet her gün kullanılıyorsa, aleti her üç 3 ayda (500 saatte) bir sökün ve inceleyin. Hasarlı veya aşınmış parçaları değiştirin.
- Onarım süresini minimumda tutmak için, aşağıdaki servis kiti tavsiye edilir: **Ayarlama kiti**

İmha

- Bu ekipmanın imhası için ilgili ülkenin mevzuatına uyulmalıdır.
- Tüm hasarlı, kötü şekilde yıpranmış veya uygun olmayan şekilde işlev yapan cihazların **KULLANIMINA SON VERİLMELİDİR.**

Genel güvenlik talimatları**Hava beslemesi ve bağlantı tehlikeleri**

- Basıncı hava ciddi yaralanmaya neden olabilir.
- Kullanılmadığı zamanlarda, aksesuarlarını değiştirmeden önce ya da onarım yaparken daima hava beslemesini kapatın, hortumun havasını boşaltın ve aletin hava beslemesi bağlantısını kesin.
- Hiçbir zaman havayı kendinize ya da başka birine yöneltmeyin.
- Hortumların savrulması ciddi yaralanmalara neden olabilir. Hasarlı veya gevşek hortumlar ve bağlantı parçaları olup olmadığını daima kontrol edin.
- Çabuk açılır kuplörleri alette kullanmayın. Doğru kurulum için talimatlara bakın.
- Üniversal bükümlü kaplinler kullanıldığında, kilit pimleri takılmalıdır.
- Maksimum 6,3 bar / 90 psi veya alet tanıtım plakasında belirtilmiş olan hava basıncını aşmayın.

Takılma tehlikeleri

- Döner tahrikten uzak durun. Giysiler, eldivenler, takılar, kolyeler ve saçlar, aletten ve aksesuarlardan uzak tutulmazsa, boğulmaya, soyulmalara ve / veya yırtılmalara neden olabilir.
- Eldivenler dönen tahriğe takılarak parmakların kopmasına veya kırılmasına neden olabilir.
- Döner tahrik soketleri ve tahrik uzantıları kolaylıkla kauçuk kaplı veya metal takviyeli eldivenlere takılabilir.
- Bol gelen eldivenleri veya kesik veya yıpranmış parmaklara sahip eldivenleri giymeyin.
- Tahriği, soketi veya tahrik uzantısını asla tutmayın.

Fırlama tehlikeleri

- Aletin çalıştırılması, onarımı veya bakımı ya da alet üzerindeki aksesuarların değiştirilmesi sırasında veya yakınında her zaman darbeye dayanıklı göz ve yüz koruması kullanın.
- Bölgedeki diğer kişilerin de darbeye dayanıklı göz ve yüz koruması kullandığından emin olun. Fırlayan küçük parçalar bile gözlerde yaralanmaya ve körlüğe neden olabilir.
- Aşırı veya yetersiz torklanmış bağlantı elemanları kırılabilir veya gevşeyip ayrılabilir ve ciddi yaralanmalara neden olabilir. Serbest kalan tertibatlar mermi gibi fırlayabilir. Belirli bir tork gerektiren montajlar bir tork ölçer kullanılarak kontrol edilmelidir.

NOT "Klik" tipi tork anahtarları potansiyel olarak tehlikeli aşırı tork durumlarını kontrol etmez.

- Aleti asla iş parçasıyla temas halinde olmadan çalıştırmayın. Çok hızlı çalışıp aksesuarın aletten fırlamasına sebep olabilir.
- İş parçasının güvenli bir şekilde sabitlendiğinden emin olun.

Aksesuar tehlikeleri

- Yalnızca uygun aksesuar tutucuları kullanın (parça listesine bakın). Mümkün olan her yerde derin soketler kullanın.
- Pim ve O-ring soket tespit sistemi kullanan aletler için, soket pimini sıkıca tutması amacıyla O-ring kullanın.
- Sadece iyi durumda olan darbeli anahtara uygun soketleri ve aksesuarları kullanın. Kötü durumdaki soketler veya darbeli anahtarlarla birlikte kullanılan el soketleri ve aksesuarlar parçalanarak fırlayabilir.
- Her zaman olası en basit bağlantıyı kullanın. Uzun, yaylı uzatma çubukları ve adaptörleri darbe gücünü emer ve kırılabilir. Mümkün olan her yerde derin soketler kullanın.
- Kesik, yanık veya titreşim kaynaklı yaralanma riskini artıracığından dolayı çalışma sırasında soketlere veya aksesuarlara dokunmayın.

Çalışma tehlikeleri

- Operatörler ve bakım personeli, aletin büyüklüğünü, ağırlığını ve gücünü fiziksel olarak taşıyabilecek durumda olmalıdır.
- Aleti doğru şekilde tutun: normal ya da ani hareketlere karşı hazırlıklı olun – gerektiğinde her iki elinizi de kullanabilecek pozisyonda olun.

- Düşük hava basıncı ile veya yıpranmış bir halde kullanmayın: kavrama çalışmayabilir ve alet kolunun aniden dönmesine neden olabilir.
- Valfi her zaman kontrol altında tutun. Alet ve iş parçası arasında kalmamaya dikkat edin.

Tekrarlanan hareket tehlikeleri

- İşe ilişkin aktivitelerde bulunurken elektrikli bir alet kullanıldığı zaman, operatör ellerde, kollarda, omuzlarda, boyunda ve vücudun diğer kısımlarında rahatsızlık hissedebilir.
- Yere sağlam basarak ve uygunsuz veya dengeyi bozacak duruşlardan kaçınarak konforlu bir duruş benimseyin. Uzun süreli görevler sırasında duruş pozisyonunun değiştirilmesi rahatsızlık ve yorgunluğun önlenmesine yardımcı olabilir.
- Devamlı veya yinelenen rahatsızlık, acı, çarpıntı, ağrı, karıncalanma, uyuşma, ateş basması veya gerginlik gibi belirtileri göz ardı etmeyin. Aleti kullanmayı bırakın, işverenimize haber verin ve bir doktora başvurun.

Gürültü ve Titreşim tehlikeleri

- Yüksek ses seviyeleri kalıcı işitme kaybına ve kulak çınlaması gibi diğer sorunlara neden olabilir. İşvereniniz veya iş sağlığı ve güvenliği yönetmelikleri tarafından önerildiği şekilde işitme koruması kullanın.
- Titreşime maruz kalmak ellere ve kollara gelen sinirlerin ve kan akışının zarar görmesine neden olabilir. Kalın giysiler giyin ve ellerinizi sıcak ve kuru tutun. Ciltte duyarlılık, karıncalanma, ağrı veya beyazlama oluşursa, aleti kullanmayı bırakın, işverenimize haber verin ve bir hekime başvurun.
- Titreşimden kaynaklanan risk, kavrama kuvveti yükseldikçe daha fazla olduğundan, aleti fazla sıkmadan ancak güvenli bir şekilde kavrayın.
- Mümkünse bir askı kolu kullanın veya bir yan tutamak takın.
- Titreşim seviyelerinde gereksiz bir artışı önlemek için aksesuarları ve sarf malzemesini/takılan aleti talimat kılavuzuna uygun olarak seçin, bakımını yapın ve değiştirin.
- Titreşimde önemli bir artışa neden olabileceğinden dolayı aşınmış veya tam oturmeyen tornavida uçları, soketler veya ekler kullanmayın.

İşyeri tehlikeleri

- Kayma/Takılma/Düşme ciddi yaralanma veya ölüme yol açan önemli bir nedendir. Yürüme ya da çalışma alanında kalan fazla hortuma karşı dikkatli olun.
- Toz veya dumanı solumaktan veya iş sürecinden kaynaklanan ve sağlığa (örneğin kanser, doğum kusurları, astım ve/veya dermatit) neden olabilecek kalıntıları tutmaktan kaçının. Havada asılı partiküller üreten malzemelerle çalışırken toz emme sistemi kullanın ve solunum koruyucu ekipman takın.
- Elektrikli zımparalama, doğrama, taşlama, delme ve diğer yapı faaliyetlerinin neden olduğu bazı tozlar, California eyaleti tarafından kansere ve doğum kusurlarına veya diğer üreme rahatsızlıklarına neden olduğu bilinen kimyasallar içermektedir. Bu kimyasallardan bazıları şunlardır:

- Kurşun bazlı boyalardaki kurşun
- Kristalimsi silis tuğla ile çimento ve diğer duvarcılık ürünleri
- Arsenik ile kimyasal olarak işlenmiş kauçuktaki krom

Bu maruz kalmalar karşısındaki riskiniz bu tür işleri ne kadar sıklıkla yaptığınıza bağlı olarak değişiklik gösterir. Bu kimyasallara maruz kalma derecesini azaltmak için: iyi havalandırılmış alanlarda çalışın ve özellikle mikroskobik partikülleri filtrelemek üzere tasarlanmış toz maskeleri gibi onaylanmış güvenlik ekipmanı kullanarak çalışın.

- Bilmediğiniz ortamlarda dikkatli hareket edin. Çalışma faaliyetinizin yarattığı potansiyel tehlikelerin farkında olun. Bu alet elektrik güç kaynakları ile temas etmeyecek şekilde yalıtılmamıştır.
- Bu aletin patlama riski taşıyan ortamlarda kullanılmaması önerilir.

ⓘ Portatif havalı aletlerle ilgili ek güvenlik bilgileri:

- CAGI 2528 - B186.1, PORTATİF HAVALI ALETLER İÇİN GÜVENLİK KODU, <https://global.ihs.com/> adresinden Global Mühendislik Dokümanlarından veya +1 800 447-2273 numaralı telefonu arayarak öğrenilebilir. ANSI standartlarını temin etmekte zorluk yaşıyorsanız <https://www.ansi.org/> adresinden ANSI'yle temas kurunuz.

Faydalı Bilgiler

Menşei ülke

Taiwan

Web sitesi

Ürünlerimiz, Aksesuarlarımız, Yedek Parçalarımız ve Yayınlanmış Makalelerimizle ilgili bilgileri Rodcraft web sitesinde bulabilirsiniz.

Lütfen ziyaret edin: www.rodcraft.com.

Güvenlik Bilgi Formu

Güvenlik Bilgi Formları Rodcraft tarafından satılan kimyasal ürünleri tanımlamaktadır.

Daha fazla bilgi için lütfen Rodcraft web sitesini qr.cp.com/sds ziyaret edin.

Telif Hakkı

© Copyright 2023, Desoutter GmbH, Edmund-Seng-Str. 3-5, 63477 Maintal, Germany

Her hakkı saklıdır. İçeriğin veya bir kısmının izinsiz kullanımı veya kopyalanması yasaktır. Bu özellikle ticari markalar, model adları, parça numaraları ve çizimler için geçerlidir. Yalnızca onaylanmış parçaları kullanın. Onaylanmış parçaların kullanımından kaynaklanan herhangi bir hasar veya arıza Garanti veya Ürün Sorumluluğu kapsamında değildir.

Декларации

Декларация за съответствие ЕС

Ние, **Desoutter GmbH**, Edmund-Seng-Str. 3-5, 63477 Maintal, Germany, декларираме на своя лична отговорност, че продуктът (с наименование, тип и сериен номер, вж. заглавната страница) е в съответствие със следната(ите) Директива(и):

2006/42/EC (17/05/2006)

Приложени хармонизирани стандарти:
EN 11148-6:2013

Властите могат да поискат съответната техническа информация от:

Pascal Roussy, R&D Manager, Ets Georges Renault, 38 rue Bobby Sands, BP10273 44818 Saint Herblain, France

Saint-Herblain, 2023/02/07

Pascal ROUSSY



Подпис

Декларация за шум и вибрации

- Ниво на звуково налягане 84.8 dB(A), несигурност 3 dB(A), в съответствие с ISO 15744.
- Ниво на звукова мощност 95.8 dB(A), несигурност 3 dB(A), в съответствие с ISO 15744.
- Обща вибрационна стойност 13.08 m/s², несигурност 1.63 m/s², в съответствие с ISO-28927-2.

Тези деклариращи стойности са получени при изпитвания от лабораторен тип в съответствие с посочените стандарти и са подходящи за сравнение с декларираните стойности на други инструменти, изпитвани в съответствие със същите стандарти. Нивото на вибрационните емисии може да се използва за предварителна оценка на експозицията. Тези деклариращи стойности не са подходящи за използване при оценка на риска, тъй като стойностите, измерени на отделните работни места, могат да бъдат по-високи. Действителните стойности на излагането на въздействие и рискът от увреждания, понасяни от отделния потребител, са уникални и зависят от начина на работа на потребителя, работния елемент и конструкцията на работната станция, както и от времето на експозиция и физическото състояние на потребителя.

Ние, **Desoutter GmbH**, не поемаме отговорност за последствията от използването на декларираните стойности вместо на стойности, отразяващи действителното излагане на въздействие при индивидуална оценка на риска в ситуация на реално работно място, над която нямаме контрол.

Този инструмент може да причини вибрационен синдром на ръката и рамото, ако употребата му не се управлява адекватно. Можете да намерите ръководството на ЕС за управление на вибрациите ръка-рамо, като посетите <http://www.pneurop.eu/index.php> и изберете Tools (Инструменти), а след това - Legislation (Законодателство).

Препоръчваме провеждането на програма за здравен надзор за откриване на ранни симптоми, които може да са свързани с излагането на шум и вибрации, така че работните процедури да бъдат модифицирани с цел предотвратяване на бъдещи увреждания.

- ⓘ Ако това оборудване е предназначено за неподвижни приложения:
Емисиите на шум са посочени като указание за машиностроителя. Данните за емисиите на шум и вибрации за цялата машина трябва да са посочени в ръководството за потребителя на машината.

Информация във връзка с чл. 33 от REACH (Регламент относно регистрацията, оценката, разрешаването и ограничаването на химикали)

Европейският регламент (ЕС) №1907/2006 относно регистрацията, оценката, разрешаването и ограничаването на химикали (REACH) определя, освен други неща, изискванията, свързани с комуникациите във веригата на доставките. Изискването за информация се отнася също и за продукти, съдържащи т. нар. вещества, пораждащи сериозно безпокойство ("списък на кандидати"). На 27 юни 2018 г. металът олово (CAS №7439-92-1) беше добавен към списъка на кандидатите.

Във връзка с гореспоменатото бихме искали да ви информираме, че определени механични компоненти в продукта може да съдържат метала олово. Това е в съответствие с настоящото законодателство за ограничаване на веществата и въз основа на законовите изключения в Директивата за ограничаването за употребата на определени опасни вещества в електрическото и електронното оборудване (RoHS) (2011/65/EU). Металът олово няма да изтече от продукта или да се видоизмени в него по време на нормална употреба, и концентрацията на метала олово в цялостния продукт е значително под приложимата прагова стойност. Моля, съобразете се с местните изисквания за изхвърляне на олово при изтичане на годността на продукта.

Регионални изисквания

⚠ ПРЕДУПРЕЖДЕНИЕ

Този продукт може да ви изложи на контакт с химикали, включително олово, за което в щата Калифорния е известно, че причинява рак и вродени малформации или други вреди по отношение на възпроизводителната способност. За допълнителна информация посетете

<https://www.p65warnings.ca.gov/>

Безопасност

НЕ ИЗХВЪРЛЯЙТЕ – ПРЕДАЙТЕ НА ПОТРЕБИТЕЛЯ

⚠ ПРЕДУПРЕЖДЕНИЕ Прочетете всички предупреждения за безопасност, инструкции, илюстрации и спецификации, предоставени с този електрически инструмент.

Неспазването на всички инструкции, посочени по-долу, може да доведе до токов удар, пожар и/или сериозни наранявания.

Запазете всички предупреждения и инструкции за бъдеща справка.

⚠ ПРЕДУПРЕЖДЕНИЕ Трябва да се спазват всички местни законови разпоредби за безопасност относно инсталация, работа и поддръжка.

Декларация за употреба

- Само за професионална употреба.
- Този продукт и неговите принадлежности не могат да бъдат променяни по какъвто и да е начин.
- Не използвайте този продукт, ако е повреден.
- Ако означенията на данните на продукта или предупрежденията за опасност върху него престанат да бъдат четливи или се откачат, незабавно ги подменете.
- Продуктът трябва да бъде инсталиран, използван и обслужван единствено квалифицирани лица в индустриална среда.

Предназначение

Този продукт е предназначен за монтиране и отстраняване на резбовани винтове в дърво, метал или пластмаса.

Инструменти с кабел и батерии: Употреба само на закрито. Не се разрешава използването му за други цели.

Използването на резервни части или аксесоари, различни от първоначално доставените от производителя, може да доведе до спад в ефективността и до увеличена поддръжка, ниво на шум или вибрации, и в резултат на това пълно анулиране на отговорността на производителя.

Инструкции за този продукт

Работа

Изисквания относно въздухоподаването

1. Подавайте чист, сух въздух с максимално налягане 90 psi (паунд на кв. инч) (6,3 бара). По-високото налягане драстично намалява живота на инструмента.
2. Свържете инструмента към въздуховода с помощта на тръба, маркуч и приспособления с размери, посочени в *схема №3*.

Инсталиране / работа

1. Свържете инструмента, както е показано на *схема №3*.

2. За да стартирате инструмента, издърпайте предпазния лост (1) и натиснете дроселния лост (2).
3. Увеличете скоростта на инструмента, като увеличите налягането на дроселния лост (2). *Направете справка със схема №2*.
4. Освободете дроселния лост (1), за да спрете инструмента. *Направете справка със схема №1*.

Завъртане на позицията на главата

Направете справка със схема №4.

1. Спрете инструмента.
2. Натиснете напред заключващата втулка (1).
3. Променете позицията на главата на инструмента нагоре или надолу (2) или обратно в нормална позиция. *Направете справка със схема №1*.
4. Натиснете обратно заключващата втулка (1), за да заключите позицията на главата. *Направете справка със схема №1*

⚠ ПРЕДУПРЕЖДЕНИЕ

- ▶ Не стартирайте инструмента, ако главата му не е заключена.

Смяна на посоката на въртене

Направете справка със схема №5.

1. Спрете инструмента.
2. Завъртете бутона (1), за да завъртите главата на инструмента по посока на часовниковата стрелка или обратно.
3. Отново стартирайте инструмента.

След приключване на работа

⚠ ПРЕДУПРЕЖДЕНИЕ Времето за спиране може да е по-дълго от 5 секунди.

- ▶ Уверете се, че инструментът е изключен и е напълно спрял, преди да го оставите.
- ▶ Времето за спиране зависи от използвания абразив.

Оставете внимателно инструмента, за да сте сигурни, че той няма да стартира сам/от само себе си.

Сервизно обслужване и поддръжка

Смазване

Използвайте смазочни средства за въздуховоди с SAE #10 масло, настроени за отделяне на две (2) капки на минута.

Инструкции за поддръжка

- Спазвайте разпоредбите в областта на околната среда на съответната страна за безопасна работа и изхвърляне на всички компоненти.
- Работите по техническото обслужване и ремонта трябва да се извършват от квалифициран персонал, който използва само на оригинални резервни части. Свържете се с производителя или с най-близкия

официален търговски представител за съвети за техническо обслужване или ако се нуждаете от резервни части.

- Винаги проверявайте дали машината е изключена от електрическата мрежа, за да предотвратите случайно задействане.
- Разглобявайте и проверявайте инструмента на всеки 3 месеца (500 часа), ако той се използва всеки ден. Подменяйте всички повредени или износени части
- За да сведете до минимум времето, в което инструментът не е в употреба, ви препоръчваме следния комплект за техническо обслужване:
Комплект за настройка

Изхвърляне

- При изхвърляне на това оборудване трябва да се спазва законодателството на съответната страна.
- Всички повредени, износени или неправилно функциониращи устройства **ТРЯБВА ДА БЪДАТ СПРЕНИ ОТ УПОТРЕБА.**

Общи инструкции за безопасност

Рискове при снабдяване с въздух и свързване

- Въздухът под налягане може да причини сериозни наранявания.
- Винаги изключвайте въздухотоподаването, освобождавайте маркуча от въздушното налягане и прекъсвайте снабдяването с въздух на инструмента, когато не се използва, преди подмяна на принадлежности или когато се поправя.
- Никога не насочвайте въздушната струя към себе си или към други.
- Ударът от свободен маркуч може да причини тежки наранявания. Винаги проверявайте маркучите и свързващите елементи за повреда или разхлабване.
- Не използвайте муфи за бързо изключване на инструмента. Прочетете указанията за правилно свързване.
- При използване на универсален винтов съединител е задължително монтирането на фиксиращи щифтове.
- Не превишавайте въздушното налягане от 6,3 бара/90 psig или стойността, която е посочена на фирмената табелка на инструмента.

Опасности от заплитане

- Стойте далеч от въртящия се механизъм. Ако не държите свободното облекло, ръкавиците, бижутата и косата далеч от инструмента и аксесоарите, това може да доведе до удушаване, скалпиране и/или разкъсвания.
- Ръкавиците може да се заплетат във въртящия се механизъм, причинявайки нараняване или счупване на пръстите.
- Въртящият се механизъм и удължителите му могат лесно да захванат гумираните ръкавици или такива, подсилени с метал.

- Не носете свободни ръкавици или ръкавици с изрязани пръсти.
- Никога не дръжте драйва, гнездото или удължителя на драйва.

Опасности от летящи частици

- Винаги носете устойчиви на удар защитни очила и маска за лице по време на или в близост до работа, ремонт или поддръжка на инструмента или когато смените принадлежностите му.
- Уверете се, че околните носят устойчиви на удар защитни очила и маска за лице. Дори малките частици могат да наранят очите и да причинят ослепяване.
- Сериозни наранявания могат да бъдат причинени от пренатягане или недобро затягане на крепежните елементи, които могат да се счупят или да се разхлабят и отделят. Възможно е разхлабените сглобки да се разхвърчат. Сглобките, изискващи определен въртящ момент, трябва да бъдат проверявани с динамометричен ключ.
ЗАБЕЛЕЖКА Така наречените „щракащи“ динамометрични ключове не проверяват за потенциално опасни условия на претягане.
- Никога не работете с инструмента без той да допира работната площ. Той може да се завърти много бързо и да причини изхвърчане на крайника от него.
- Уверете се, че обработваният детайл е захванат здраво.

Опасности, свързани с приспособлението

- Използвайте само подходящи допълнителни държачи (вж. списъка с резервни части). Използвайте по-дълги вложки, когато е възможно.
- За инструменти, използващи системата за задържане на гнездото с щифт и о-пръстени, за да задържите щифта на гнездото сигурно.
- Използвайте само вложки за ударни гайковерти и принадлежности, които са в добро състояние. Износени вложки или вложки и принадлежности за завиване на ръка, използвани с ударни гайковерти, могат да се разбият и да се превърнат в летящи частици.
- Винаги използвайте възможно най-лесния начин на свързване. Удължаващи и еластични крайници и адаптери абсорбират ударната мощност и могат я намалят. Използвайте по-дълги вложки, когато е възможно.
- Не докосвайте вложките или принадлежностите по време на работа, тъй като това увеличава риска от порязване, изгаряния или наранявания вследствие на вибрациите.

Опасности при работа

- Персоналът, работещ с инструмента и извършващ неговата поддръжка, трябва да бъде физически годен за работа с размерите, теглото и мощността на инструмента.
- Дръжте инструмента правилно: бъдете готови да реагирате на нормални или внезапни движения – и двете ви ръце трябва да са свободни.

- Не използвайте инструмента при понижено въздушно налягане или в износено състояние: съединителят може да не функционира и да причини внезапно завъртане на ръкохватката на инструмента.
- Контролирайте мощността през цялото време. Не заставяйте между инструмента и работната площ.

Опасности от повтарящи се движения

- Когато използва електроинструмент, за да извършва трудова дейност, операторът може да изпита дискомфорт в дланите, ръцете, раменете, врата и други части на тялото.
- Заемете удобна позиция, стъпили стабилно и избягвайки неудобен или небалансиран стоеж. Промяната на стоежа по време на продължителни задачи може да помогне за избягване на дискомфорта и умората.
- Не игнорирайте симптоми като постоянен или повтарящ се дискомфорт, болка, туптене, изтръпване, вкочаняване, изгарящо усещане или схващане. Прекратете работата с инструмента, уведомете работодателя си и се консултирайте с лекар.

Рискове от шум и вибрации

- Високите нива на шум могат да доведат до трайна загуба на слух и други проблеми като шум в ушите. Използвайте защитни средства за слуха съгласно препоръките на вашия работодател или наредбите, свързани със здравето и безопасността на работното място.
- Излагането на вибрация може да доведе до инвалидизиращо увреждане на нервите и кръвоснабдяването към дланите и ръцете. Носете топли дрехи и пазете ръцете си топли и сухи. Ако се появи вкочаненост, изтръпване, болка или побеляване на кожата, спрете употребата на инструмента, уведомете работодателя си и се консултирайте с лекар.
- Дръжте инструмента с лек, но сигурен захват, защото рискът от вибрация обикновено е по-силен, когато силата на захвата е по-голяма.
- Когато е възможно, използвайте рамо за окачване или поставете странична ръкохватка.
- Избирайте, поддържайте и подменяйте принадлежностите и консумативите, които се поставят в инструмента, съгласно ръководството с инструкциите, за да предотвратите ненужно увеличаване на нивата на вибрациите.
- Не използвайте износени или недобре прилягащи битове, вложки или удължители за отвертките, тъй като има вероятност това да доведе до значително увеличение на вибрациите.

Опасности на работното място

- Подхлъзване/препъване/падане са основните причини за сериозни наранявания или смърт. Внимавайте за дълъг маркуч, оставен на пешеходната зона или в работната зона.
- Избягвайте вдишването на прах или изпарения или боравенето с отломки от работния процес, които могат да доведат до увреждане на здравето (напр. рак, вродени малформации, астма и/или дерматит).

Използвайте система за прахоулавяне и носете респираторни предпазни средства, когато работите с материали, които отделят частици, които се носят по въздуха.

- Някои прахове създадени в резултат на полиране, рязане, точене, пробиване с машина и други строителни дейности съдържат химикали, които са познати в щата Калифорния като причинители на рак и дефекти по рождение и могат да нанесат и други репродуктивни вреди. Някои примери за такива химикали са:
 - Олово и бои на оловна основа
 - Тухли и цимент от кристален силициев диоксид и други зидарски продукти
 - Арсен и хром от химически обработена гума

Рисквете за вас от излагането на подобни въздействия зависят от това колко често извършвате работа от този вид. За да намалите излагането на тези химикали: работете в добре проветрявано помещение и с одобрена защитна екипировка като защитни маски против прах, които са специално изработени да филтрират микроскопични частици.

- При работа в непозната обстановка подхождайте с внимание. Осъзнавайте евентуалните опасности, създадени от трудовата ви дейност. Този инструмент не е изолиран срещу контакт с източници на електрозахранване.
- Инструментът не се препоръчва за употреба в потенциално взривоопасна околна среда.

i Допълнителна информация за безопасност за портативни пневматични инструменти:

- SAGI 2528 - B186.1, КОДЕКС ЗА БЕЗОПАСНОСТ ЗА ПОРТАТИВНИ ПНЕВМАТИЧНИ ИНСТРУМЕНТИ, наличен на уебсайта на Global Engineering Documents на <https://global.ihs.com/> or call +1 800 447-2273. Ако срещнете трудности при получаването на стандартите ANSI, моля влезте във връзка с ANSI на следния Интернет адрес: <https://www.ansi.org/>

Полезна информация

Произход на продукта

Taiwan

Уебсайт

Информация относно нашите продукти, аксесоари, резервни части и публикации можете да намерите на уебстраницата на Rodcraft.

Моля, посетете: www.rodcraft.com.

Страница с информация, свързана с безопасността

Страниците с данните, свързани с безопасността, описват химическите продукти, продавани от Rodcraft.

Моля, консултирайте се с уебстраницата на Rodcraft за допълнителна информация qr.cp.com/sds.

Авторско право

© Copyright 2023, Desoutter GmbH, Edmund-Seng-Str. 3-5, 63477 Maintal, Germany

Всички права запазени. Забранява се всяко неразрешено използване или копиране на съдържанието или част от него. Това се отнася в частност за търговски марки, названия на модела, номера на части и чертежи. Използвайте само оригинални резервни части. Повреди или неизправности вследствие на употреба на неоригинални части не се покриват от гаранцията или отговорността за вреди, причинени от продукта.

Izjave

EU izjava o sukladnosti

Mi, Desoutter GmbH, Edmund-Seng-Str. 3-5, 63477 Maintal, Germany, izjavljujemo pod vlastitom odgovornošću da je proizvod (naziv, tip i serijski broj, vidi naslovnu stranu) u skladu sa sljedećom(im) direktivom(ama):

2006/42/EC (17/05/2006)

Primijenjene usklađene norme:

EN 11148-6:2013

Nadležna tijela mogu zahtijevati relevantne tehničke podatke od:

Pascal Roussy, R&D Manager, Ets Georges Renault, 38 rue Bobby Sands, BP10273 44818 Saint Herblain, France

Saint-Herblain, 2023/02/07

Pascal ROUSSY



Potpis

Izjava o buci i vibracijama

- Razina zvučnog tlaka 84.8 dB(A), odstupanje 3 dB(A), u skladu s ISO 15744.
- Razina zvučne snage 95.8 dB(A), odstupanje 3 dB(A), u skladu s ISO 15744.
- Ukupna vrijednost vibracija 13.08 m/s², odstupanje 1.63 m/s², u skladu s ISO-28927-2.

Ovdje navedene vrijednosti dobivene su ispitivanjima u laboratoriju u skladu s navedenim normama i prikladne su za usporedbu s navedenim vrijednostima drugih alata ispitanih u skladu s istim normama. Razina emisije vibracija mogla bi se koristiti za pripremnju procjenu izloženosti. Ovdje navedene vrijednosti nisu prikladne za uporabu u analizama rizika, a vrijednosti izmjerene na pojedinačnim radnim mjestima mogu biti veće. Stvarne vrijednosti izlaganja i rizik od štetnosti koja može postojati za pojedinačnog korisnika su jedinstvene i ovise o načinu rada korisnika, radnom komadu i konstrukciji radne stanice te o vremenu izlaganja i fizičkom stanju korisnika.

Mi, Desoutter GmbH, ne možemo se smatrati odgovornima za posljedice uporabe navedenih vrijednosti umjesto vrijednosti koje odražavaju stvarno izlaganje u pojedinačnoj procjeni rizika situacije koja se događa na radnom mjestu nad kojim nemamo nadzor.

Ovaj alat može izazvati sindrom vibriranja ruke ako se njime ne rukuje na odgovarajući način. Vodič EU-a o upravljanju vibriranjem ruke možete pronaći na stranici <http://www.pneurop.eu/index.php>: odaberite „Tools“ (Alati), a zatim „Legislation“ (Zakonodavstvo).

Preporučujemo program nadzora zdravlja da se uoče rani simptomi koji mogu biti povezani s izlaganjem buci ili vibracijama tako da se mogu izmijeniti postupci upravljanja vibracijama kako bi se spriječilo buduće oštećenje zdravlja.

- ⓘ Ova oprema namijenjena je za postupke pričvršćivanja: Emisije buke navedene su kao vodič projektantima strojeva. Podaci o emisiji buke i vibracija za cijeli stroj trebaju se navesti u uputama za uporabu stroja.

Informacije u vezi sa članom 33 Uredbe REACH

Europska uredba (EU) br. 1907/2006 o Registraciji, evaluaciji, autorizaciji i ograničavanju kemikalija (REACH) između ostalog definira zahtjeve vezane za komunikaciju u lancu opskrbe. Zahtjev za informacijama također se odnosi na proizvode koji sadrže takozvane tvari koje izazivaju veliku zabrinutost ("Popis kandidata"). 27. lipnja 2018. olovo (CAS br. 7439-92-1) je dodato na Popis kandidata.

U skladu s prethodnom napomenom, obavještavamo vas da određene mehaničke komponente u proizvodu mogu sadržati olovo. Ovo je u skladu s aktualnim propisima o ograničenju tvari i zasniva se na zakonskim izuzećima iz Direktive RoHS (2011/65/EU). Olovo iz proizvoda neće cureti ili mutirati tijekom normalne uporabe a koncentracija olova u gotovom proizvodu je znatno ispod primjenjive granične vrijednosti. Uzmite u obzir lokalne zahtjeve o zbrinjavanju olova na kraju životnog vijeka proizvoda.

Lokalni uvjeti

⚠ POZOR

Ovaj proizvod može vas izložiti kemikalijama, uključujući olovo, a prema državi Kaliforniji, olovo može prouzročiti rak i urođene mane ili druge probleme spolnog sustava. Za više informacija idite na

<https://www.p65warnings.ca.gov/>

Sigurnost

NE BACAJTE – PREDAJTE KORISNIKU

⚠ POZOR Pročitajte sva sigurnosna upozorenja, sve upute, ilustracije i specifikacije isporučene uz ovaj električni alat.

Ako se ne pridržavate svih dolje navedenih uputa, može doći do strujnog udara, požara i/ili teške ozljede.

Spremite sva upozorenja i sve upute za buduću uporabu.

⚠ POZOR Uvijek se morate pridržavati lokalnih zakonskih sigurnosnih propisa o ugradnji, radu i održavanju.

Izjava o uporabi

- Samo za profesionalnu uporabu.
- Ovaj proizvod i njegov pribor ne smiju se mijenjati ni na koji način.
- Ne upotrebljavajte ovaj proizvod ako je bio oštećen.
- Ako podaci o proizvodu ili znakovi upozorenja o opasnosti na proizvodu više nisu čitljivi ili otpadnu, odmah ih zamijenite.
- Rukovanje proizvodom, te njegovo ugrađivanje i servisiranje je dozvoljeno samo kvalificiranom osoblju u industrijskom okruženju.

Namjena

Ovaj je proizvod projektiran za ugradnju i uklanjanje navojnih stezača u drvetu, metalu ili plastici.

Alati za kabele i baterije: Uporaba samo u unutarnjem prostoru. Nije dopuštena druga uporaba.

Uporaba zamjenskih dijelova ili pribora, osim onoga što je izvorno isporučio proizvođač, može uzrokovati pad performansi i povećanje učestalosti održavanja, razine buke ili vibracija, i na kraju može navesti proizvođača da u potpunosti otkáže odgovornost.

Upute specifične za proizvod

Rad uređaja

Potrebe za opskrbu zrakom

1. Alat opskrbite čistim, suhim zrakom sa maksimalnim tlakom 90 psi (6,3 bara). Viši tlak drastično smanjuje životni vijek alata.
2. Povežite alat sa zračnim vodom pomoću cijevi, crijeva i spojnice u veličinama prikazanim na *shemi 3*.

Ugradnja / Rukovanje

1. Povežite alat kao što je prikazano na *shemi 3*.
2. Za pokretanje alata povucite sigurnosnu polugu (1) i gurnite ručicu prigušnice (2).
3. Povećajte brzinu alata povećanjem pritiska na ručicu prigušnice (2). Pogledajte *Shemu 2*.
4. Otpustite ručicu prigušnice (1) kako biste zaustavili alat. Pogledajte *Shemu 1*.

Okretanje položaja glave

Pogledajte *Shemu 4*

1. Zaustavite alat.
2. Gurnite zaporni rukavac prema naprijed (1).
3. Promijenite položaj glave alata prema gore ili prema dolje (2) ili vratite u uobičajeni položaj. Pogledajte *Shemu 1*.
4. Gurnite natrag zaporni rukavac (1) kako biste blokirali položaj glave. Pogledajte *Shemu 1*

⚠ POZOR

- ▶ Nemojte pokretati alat ako glava alata nije blokirana.

Promjena smjera okretanja

Pogledajte *Shemu 5*

1. Zaustavite alat.
2. Okrenite gumb (1) kako biste okrenuli glavu alata u smjeru kazaljke na satu ili suprotno od smjera kazaljke na satu.
3. Ponovo pokrenite alat.

Nakon završetka rada

⚠ POZOR Vrijeme zaustavljanja može biti dulje od 5 sekundi.

- ▶ Pazite da isključite alat i da ga potpuno zaustavite prije polaganja.
- ▶ Vrijeme zaustavljanja zavisi od rabljene brusne ploče.

Pažljivo odložite alat kako biste osigurali da se alat neće pokrenuti sam od sebe.

Servisiranje i održavanje

Podmazivanje

Uporabite podmazivač zračnog voda s uljem SAE #10, podešen na dvije (2) kapljice u minuti.

Upute za održavanje

- Pridržavajte se ekoloških propisa dotične zemlje u vezi sa sigurnim rukovanjem i odlaganjem svih komponenti.
- Održavanje i popravak mora izvesti kvalificirano osoblje koristeći samo originalne pričuvne dijelove. Obratite se proizvođaču ili najbližem ovlaštenom trgovcu za savjet, tehničku podršku ili zamjenske dijelove.
- Uvijek se uvjerite da je stroj isključen iz izvora napajanja kako biste izbjegli neželjeno uključivanje.
- Rastavite i pregledajte alat svaka 3 mjeseca (500 sati) ako ga koristite svakodnevno. Zamijenite oštećene ili istrošene dijelove.
- Kako biste vrijeme zastoja skratili na najmanju moguću mjeru, preporučuje se sljedeći servisni komplet: **Komplet za podešavanje**

Zbrinjavanje

- Pri odlaganju ove opreme potrebno je pridržavati se zakona dotične zemlje.
- Sve oštećene, jako istrošene i uređaje koji ne funkcioniraju pravilno **TREBA POVUĆI IZ UPORABE**.

Opće sigurnosne upute

Opskrba zrakom i opasnosti pri spajanju

- Zrak pod tlakom može prouzročiti teške ozljede.
- Uvijek zatvorite dovod zraka, ispustite tlak iz crijeva i odspojite alat s dovoda zraka kada se on ne upotrebljava, prije zamjene pribora ili pri popravcima.

- Nikada ne usmjeravajte zrak izravno prema sebi ili drugima.
- Nekontrolirano pomicanje crijeva može prouzročiti teške ozljede. Uvijek provjerite jesu li crijeva i priključci oštećeni ili labavi.
- Nemojte upotrebljavati brze spojnice na ovom alatu. Vidi upute za pravilno postavljanje.
- Uvijek kada se upotrebljavaju univerzalne zakretne spojnice, moraju biti instalirani zaporni klinovi.
- Nemojte prekoračiti maksimalni tlak zraka od 6,3 bara/90 psi ili onaj koji je naveden na nazivnoj pločici alata.

Opasnosti od zahvaćanja pokretnim dijelovima

- Držite se daleko od okretnog pogona. Može doći do gušenja, čupanja kose i/ili porezotina ako ne držite labavu odjeću, rukavice, nakit, ogrlice i kosu podalje od alata i njegovih priključaka.
- Rukavice mogu zaglaviti u okretnom pogonu i izazvati oštećenje ili napuknuće prstiju.
- Nastavci okretnog pogona i produžeci pogona mogu lako uhvatiti gumene ili metalom ojačane rukavice.
- Ne nosite labave rukavice ili rukavice sa zarezanim ili istrošenim prstima.
- Nikada ne držite pogon, nastavak ili produžetak pogona.

Opasnosti od projektila

- Uvijek nosite zaštitu za oči i lice otpornu na udarce kada se nalazite u blizini mjesta rada ili radite alatom, pri popravcima i održavanju alata ili kada mijenjate pribor na alatu.
- Uvjerite se da sve druge osobe u blizini nose štitnike za oči i lice otporne na udarce. Čak i sitni projektili mogu ozlijediti oči i uzrokovati sljepoću.
- Zbog prejako ili preslabo zategnutih stezača koji mogu puknuti, otpustiti se ili razdvojiti može doći do teške ozljede. Otpušteni sklopovi mogu postati projektili. Sklopovi koji zahtijevaju određeni moment moraju se provjeravati momentnim ključem.

NAPOMENA Takozvani "klik" momentni ključevi ne provjeravaju potencijalno opasna stanja prevelike zategnutosti.

- Nikada ne upotrebljavajte alat u praznom hodu. To može dovesti do prebrze vrtnje i izlijetanja pribora iz alata.
- Pazite da radni komad bude dobro pričvršćen.

Opasnosti od pribora

- Upotrebljavajte samo prikladne držače pribora (pogledajte popis dijelova). Kad god je to moguće, upotrebljavajte duboke nastavke.
- U slučaju alata koji upotrebljavaju sustav pridržavanja klina i nastavka O-prstena upotrijebite O-prsten da pričvrstite klin nastavka.
- Upotrebljavajte samo one označene nastavke i opremu za pneumatski ključ koji su u dobrom stanju. Nastavci koji su u lošem stanju ili su predviđeni za ručni rad korišteni s pneumatskim ključevima mogu dovesti do vibracija i postati leteći projektili.

- Uvijek primijenite najjednostavniji zahvat. Duge i elastične produžne šipke i adapteri apsorbiraju pneumatsku energiju i mogu puknuti. Kad god je to moguće, upotrebljavajte duboke nastavke.
- Ne dodirujte nastavke ili pribor u toku rada, jer će to povećati rizik od posjekotina, opekline ili ozljeda od vibracija.

Opasnosti pri radu

- Rukovatelji i osoblje za održavanje moraju biti u stanju fizički podnijeti veličinu, težinu i snagu ovog alata.
- Držite ispravno alat: Budite spremni reagirati na normalne ili iznenadne pokrete i držite obje ruke spremnima.
- Nemojte upotrebljavati sa smanjenim tlakom zraka ili u istrošenom stanju: Spojka se možda neće aktivirati, što izaziva iznenadno okretanje ručke alata.
- U svakom trenutku imajte nadzor nad prigušivačem. Nemojte dopustiti da se zaglavite između alata i radnog materijala.

Opasnosti od ponavljanih kretnji

- Kada upotrebljava pneumatski alat da obavlja aktivnosti u okviru posla, rukovatelj može osjetiti neugodu u rukama, ramenima, vratu ili drugim dijelovima tijela.
- Zauzmite udoban položaj, zadržavajući siguran stav i izbjegavajući neprikladne položaje ili položaje koji su van ravnoteže. Promjena položaja tijekom izvođenja dugotrajnih zadataka može pomoći izbjegavanju osjećaja neugode i umora.
- Nemojte zanemarivati simptome poput stalne ili ponavljajuće neugode, boli, pulsiranja, bolnosti, trnjenja, neosjetljivosti, osjećaja pečenja ili krutosti. U tom slučaju prestanite koristiti alat, obavijestite svojeg poslodavca i potražite savjet liječnika.

Opasnosti od buke i vibracija

- Visoka razina buke može izazvati trajno oštećenje sluha i druge probleme kao npr. tinitus. Upotrijebite zaštitu za uši prema preporukama poslodavca ili u skladu s propisima o sigurnosti na radu i zaštiti zdravlja.
- Izlaganje vibracijama može dovesti do oštećivanja živaca i sprječavanja dotoka krvi do šaka i ruka. Nosite toplu odjeću i čuvajte ruke toplima i suhima. Ako se pojavi ukočenost, zujanje u ušima, bol ili bijeljenje kože, prestanite s uporabom alata, obavijestite svojeg poslodavca i potražite savjet liječnika.
- Držite alat laganim, ali čvrstim prihvatom, jer je opasnost od vibracija u pravilu veća ako je sila prihvata veća.
- Kada je to moguće koristite ovjesnu ruku ili bočnu ručku.
- Odaberite, održavajte i mijenjajte pribor i potrošni/umetni alat u skladu s uputama za uporabu, kako biste spriječili nepotrebno povećanje razine vibracija.
- Ne upotrebljavajte istrošena ili neodgovarajuće postavljena svrdla odvijača, nastavke ili produžetke, jer će to vjerojatno uzrokovati značajno povećanje vibracija.

Opasnosti na radnom mjestu

- Klizanje, spoticanje i pad glavni su uzroci teški ozljeda ili smrti. Pazite na višak crijeva koje je ostavljeno na prolaznoj ili radnoj površini.

- Izbjegavajte udisanje prašine ili dima ili rukovanje ostacima iz radnog procesa koji mogu ugroziti zdravlje (na primjer, uzrokovati rak, urođene mane, astmu i/ili dermatitis). Upotrijebite opremu za uklanjanje prašine i nosite zaštitnu opremu za disanje kada radite s materijalima koji stvaraju čestice u zraku.
- Neke prašine koje nastaju brušenjem brusnim papirom, rezanjem, brušenjem, bušenjem ili drugim proizvodnim aktivnostima sadrže kemikalije koje su u državi Kaliforniji poznate kao izazivači raka i urođenih mana ili štetno djeluju na reproduktivnost. Neki primjeri takvih kemikalija su:

- Olovo od boja na bazi olova
- Cigle od silikatnih materijala, cement i drugi zidarski proizvodi
- Arsen i krom iz kemijski tretirane gume

Vaš rizik od ovih izlaganja mijenja se ovisno o načinu na koji obavljate ovu vrstu posla. Da smanjite svoju izloženost ovim kemikalijama: Radite u dobro provjetranim područjima i radite s odobrenom sigurnosnom opremom kao što su maske za zaštitu od prašine koje su posebno projektirane da filtriraju mikroskopske čestice.

- U nepoznatim sredinama radite pažljivo. Vodite računa o mogućim opasnostima koje možete izazvati svojim radom. Ovaj alat nije izoliran u slučaju kontakta s izvorima električnog napajanja.
- Ne preporučuje se uporaba ovoga alata u potencijalno eksplozivnim atmosferama.

i **Dodatne sigurnosne informacije u vezi sa prijenosnim pneumatskim alatima:**

- CAGI 2528 - B186.1, SIGURNOSNE SMJERNICE ZA PRIJENOSNE PNEUMATKSE ALATE, dostupne su u Global Engineering Documents na <https://global.ihs.com/> ili nazovite +1 800 447-2273. U slučaju poteškoća s pribavljanjem ANSI standarda, kontaktirajte ANSI na <https://www.ansi.org/>

Korisne informacije

Zemlja podrijetla

Taiwan

Web stranica

Informacije o proizvodima, priboru, zamjenskim dijelovima i izdanjima možete pronaći na našoj internetskoj stranici Rodcraft.

Posjetite web mjesto: www.rodcraft.com.

Sigurnosno-tehnički list

Sigurnosno-tehnički list opisuje kemijske proizvode koje prodaje Rodcraft.

Za više informacija o tvrtki Rodcraft posjetite web stranicu qr.cp.com/sds.

Autorsko pravo

© Autorsko pravo 2023, Desoutter GmbH, Edmund-Seng-Str. 3-5, 63477 Maintal, Germany

Sva su prava pridržana. Zabranjena je svaka neovlaštena uporaba ili kopiranje sadržaja ili njegovog dijela. To se posebno odnosi na zaštitne znakove, oznake modela, brojeve dijelova i crteže. Upotrebljavajte samo odobrene dijelove. Svako oštećenje ili svaki kvar izazvan uporabom neodobrenih dijelova nije obuhvaćen jamstvom ili odgovornošću za proizvod.

Deklaratsioon

ELi vastavusdeklaratsioon

Meie, **Desoutter GmbH**, Edmund-Seng-Str. 3-5, 63477 Maintal, Germany, deklareerime oma täielikul vastutusel, et toode (mille nime, tüübi ja seerianumbri leiate esilehelt) on vastavuses järgmis(t)e direktiivi(de)ga:

2006/42/EC (17/05/2006)

Kohalduvad ühtlustatud standardid:

EN 11148-6:2013

Ametiasutused võivad nõuda asjakohast tehnilist teavet, mille peab saatma:

Pascal Roussy, R&D Manager, Ets Georges Renault, 38 rue Bobby Sands, BP10273 44818 Saint Herblain, France

Saint-Herblain, 2023/02/07

Pascal ROUSSY



Allkiri

Müra- ja vibratsioonialane deklaratsioon

- Helirõhu tase 84.8 dB(A), määramatus 3 dB(A), kooskõlas standardiga ISO 15744.
- Helirõhu tase 95.8 dB(A), määramatus 3 dB(A), kooskõlas standardiga ISO 15744.
- Vibratsiooniväärtus 13.08 m/s², määramatus 1.63 m/s², kooskõlas standardiga ISO-28927-2.

Nimetatud deklareeritud väärtused saadi laboritüüpi katsetuste käigus kooskõlas nimetatud standarditega ja asjaomaseid väärtusi saab kasutada teiste kooskõlas samade standarditega testitud tööriistade deklareeritud väärtuste võrdlemiseks. Vibratsiooni emissioonitaset võib kasutada kokkupuute kohta esialgse hinnangu andmiseks. Asjaomased deklareeritud väärtused ei sobi riskianalüüsiks ja konkreetse töökohas mõõdetud väärtused võivad olla suuremad. Konkreetse kasutaja tegelikud kokkupuuteväärtused ja kahjustuste oht on ainulaadsed ja sõltuvad sellest, kuidas kasutaja töötab, töödeldavast toorikust ja töökoha lahendusest, kokkupuute ajast ja ka kasutaja füüsilisest seisundist.

Meie, **Desoutter GmbH**, ei vastuta tagajärgede eest, kui meie poolt mitte kontrollitava konkreetse tööolukorra riskianalüüs kasutatakse tegelikku kokkupuudet kajastavate väärtuste asemel deklareeritud väärtusi.

Kui selle tööriista kasutamist ei korraldata sobival viisil, võib see põhjustada kohtvibratsiooni sündroomi. ELi juhised kohtvibratsiooniga toime tulemiseks leiate, kui külastate veebilehte <http://www.pneurop.eu/index.php> ning valite „Tools“ ja siis „Legislation“.

Soovitame regulaarselt tervist kontrollida, et tuvastada vibratsioonist tingitud haiguste varajasi sümptomeid. Selle põhjal tuleb juhtimistoiminguid kohandada nii, et need aitaksid ennetada võimalikke edaspidiseid tervisekahjustusi.

- i** Kui antud seadet kasutatakse kinnitatud rakendustes: Masinatootja poolt antud müraemissioon on indikatiivne. Komplektse masina müra- ja vibratsiooniemissiooni andmed peavad olema välja toodud masina kasutusjuhendis.

Teave seoses REACH-määruse artikliga 33

Euroopa (EÜ) määrus nr 1907/2006, mis käsitleb kemikaalide registreerimist, hindamist, autoriseerimist ja piiramist (REACH), määratleb muuhulgas tarneahela kommunikatsiooniga seotud nõuded. Teabenõue kehtib ka toodetele, mis sisaldavad nn väga ohtlike aineid („kandidaatainete loetelu“). 27. juunil 2018 lisati kandidaatainete loetellu plii (CAS nr 7439-92-1).

Ülaltoodust tulenevalt anname teile teda, et toote teatud mehaanilised komponendid võivad sisaldada pliid. See on kooskõlas kehtivate ainete kasutamise piiramise õigusaktidega ja põhineb ohtlike ainete kasutamise piiramise direktiivi (RoHS-määrus, 2011/65/EÜ) õiguslikel eranditel. Plii ei leki ega muteeru tootest tavapärasel kasutamisel ning plii-sisaldus kogu tootes on kohaldatavast piirväärtusest tunduvalt väiksem. Toote kasutusea lõppedes arvestage plii kõrvaldamisel kohalikke eeskirju.

Piirkondlikud nõuded

⚠ HOIATUS

Selle toote kasutamisel võite kokku puutuda kemikaalide, sh pliiiga, mis põhjustab California osariigile teadolevatel andmetel vähki ja sünnidefekte või muud reproduktiivset kahju. Lisateabe saamiseks külastage veebilehte

<https://www.p65warnings.ca.gov/>

Ohutus

ÄRGE VISAKE ÄRA – ANDKE KASUTAJALE

⚠ HOIATUS Tutvuge kõigi mootortööriista juurde kuuluvate hoiatuste, juhiste, illustratsioonide ja tehniliste andmetega.

Allpool toodud juhiste eiramine võib tuua kaasa elektrilöögi, tulekahju ja/või tõsise kehavigastuse.

Hoidke kõik hoiatused ja juhised hilisemaks uuesti läbivaatamiseks alles.

⚠ HOIATUS Kõikidest paigaldamist, kasutamist ja hooldamist käsitlevatest kohalikest kehtivatest ohutuseeskirjadest tuleb kogu aeg kinni pidada.

Lubatud kasutamine

- Ainult professionaalseks kasutamiseks.

- Käesolevat toodet ega selle lisaseadmeid ei tohi muuta.
- Ärge kasutage kahjustatud toodet.
- Kui tootel asuvad nimikiiruse või ohuhoiatuse märgid muutuvad loetamatuks või tulevad küljest, asendage need kohe uutega.
- Toodet tohib paigaldada, kasutada ja hooldada ainult kvalifitseeritud isik ja ainult tööstuslikus keskkonnas.

Kasutusotstarve

Käesolev toode on mõeldud keermestatud kinnitusvahendite puitu, metalli või plastmaterjali paigaldamiseks ning sealt eemaldamiseks.

Kaabli- ja akutööriistad: Kasutamiseks ainult siseruumis. Muud kasutusviisid on keelatud.

Muude kui tootja pakutavate varuosade või tarvikute kasutamine võib põhjustada jõudluse langust ja hooldusvajaduse, mürataseme või vibratsiooni suurenemist ning selle tulemusena tootja vastutuse täielikku tühistamist.

Tootespetsiifilised juhised

Kasutamine

Vajalik õhuvarustus

1. Tagage tööriistale puhas, kuiv õhuvool max survega 90 psi (6,3 bar). Suurem rõhk lühendab märkimisväärselt tööriista kasutusiga.
2. Ühendage tööriist õhusüsteemiga, kasutades *skeemil 3* näidatud mõõdus toru, voolikut ja liitmikke.

Paigaldamine / töötamine

1. Ühendage tööriist, nagu on näidatud *skeemil 3*.
2. Tööriista käivitamiseks tõmmake kaitsehooba (1) ja vajutage drosselit (2).
3. Suurendage tööriista kiirust, avaldades drosselile (2) tugevamat survet. *Vt skeemi 2*.
4. Tööriista seiskamiseks vabastage drossel (1). *Vt skeemi 1*.

Pöördepea asend

Vt skeemi 4.

1. Seisake tööriist.
2. Lükake lukustuskraed (1) ette.
3. Muutke tööriistapea asendit üles või alla (2) või tagasi tavaasendisse. *Vt skeemi 1..*
4. Tõmmake lukustuskraed (1) tagasi, et fikseerida pea asend. *Vt skeemi 1*

⚠ HOIATUS

- ▶ Ärge käivitage tööriista, kui selle pea pole lukustatud.

Pöörlemissuuna muutmine

Vt skeemi 5.

1. Seisake tööriist.

- Pöörake nuppu (1), et keerata tööriista pead päripäeva või vastupäeva.
- Käivitage tööriist uuesti.

Pärast töö lõpetamist

HOIATUS Seiskumisaeg võib olla pikem kui 5 sekundit.

- Veenduge enne tööriista mahapanemist, et see oleks välja lülitatud ja täielikult seiskunud.
- Seiskumisaeg oleneb kasutatavast abrasiivist.

Pange tööriist ettevaatlikult maha, et see ei käivituks iseeneslikult.

Hooldamine

Määrimine

Kasutage õliga SAE #10 õhutoru määrdeseadet, mis on reguleeritud kahele (2) tilgale minutis.

Paigaldusjuhised

- Järgige kõigi komponentide ohutuks käsitlemiseks ja kõrvaldamiseks kohaliku riigi keskkonnanõuet.**
- Hooldus- ja remonditöid tohivad teostada ainult selleks kvalifitseeritud isikud, kasutades originaalvaruosi. Tehnohoolduse kohta nõu küsimiseks või varuosade hankimiseks võtke ühendust tootja või teile lähima volitatud edasimüüjaga.
- Juhusliku käivitumise vältimiseks veenduge, et masin oleks alati energiaallikast lahutatud.
- Kui tööriista kasutatakse igapäevaselt, võtke tööriist lahti ja kontrollige seda iga 3 kuu (500 töötundi) möödudes. Asendage kõik kahjustatud või kulunud osad.
- Seisuaja minimeerimiseks on soovitatav kasutada järgmist hoolduskomplekti: **Häälestuskomplekt**

Utiliseerimine

- Seadme utiliseerimisel tuleb järgida vastava riigi seadusandlust.
- Kõik kahjustatud, tugevalt kulunud või valesti töötavad seadmed **TULEB KASUTUSEST KÕRVALDADA.**

Üldised ohutusjuhised

Õhuvarustuse ja ühendamise seotud ohud

- Suruõhk võib põhjustada tõsiseid vigastusi.
- Kui seadet ei kasutata, enne lisatarvikute vahetamist või seadme parandamist tuleb alati õhuvarustus kinni keerata, vabastada voolik rõhu alt ning lahutada tööriist õhuvarustusest.
- Ärge suunake õhku enda või ükskõik kelle teise suunas.
- Pekslevad voolikud võivad põhjustada raskeid kehavigastusi. Kontrollige alati, et voolikud ja liitmikud ei oleks vigastatud ega lahti.
- Ärge kasutage tööriista juures kiirühendusega ühendusdetaili. Vaadake õigeks seadistamiseks juhendit.
- Kui kasutatakse universaalseid keerata vaid ühendusdetaili, tuleb paigaldada fiksaatorid.

- Ärge ületage maksimaalset 6,3 bar / 90 psig või tööriista nimiplaadil toodud õhusurvet.

Takerdumisoht

- Hoidke eemale pöörlevast ajamist. Kui tööriistast ja tarvikutest ei hoita eemale lahtisi riideid, kindaid, ehteid, kaelas kantavaid esemeid või juukseid, võib tulemuseks olla lämbumine, skalpeerimine ja/või rebestus.
- Kindad võivad pöörleva ajami külge kinni jääda ning tuua kaasa sõrmede vigastuse või murdumise.
- Pöörlevad ajamipesad ja ajamipikendused võivad kummeeritud või metalliga tugevdatud kinnaste külge kergesti kinni jääda.
- Ärge kandke lõdvalt käes istuvaid kindaid või kulunud või lõigatud sõrmeosadega kindaid.
- Ärge hoidke kinni ajamist, pesast ega ajamipikendusest.

Lendavatest osakestest tulenevad ohud

- Tööriistaga töötamise, selle parandamise ja hooldamise või tarvikute vahetamise ajal või läheduses olles kandke alati löögikindlat silma- ja näokaitset.
 - Veenduge, et teised läheduses viibivad isikud kannaksid löögikindlat silma- ja näokaitset Silmavigastust ja pimedaksjäämist võivad põhjustada isegi väikesed lendavad osakesed.
 - Liiga väikese või liiga suure pingutusjõuga kinnitatud kinnitusdetailid võivad puruneda, tulla lahti ja eralduda ning põhjustada sellega raskeid kehavigastusi. Lahti tulnud koostud võivad eemale paiskuda. Konkreetse ettenähtud pingutusmomentiga koostude puhul tuleb kontrollimiseks kasutada dünamomeetrit.
- MÄRKUS: nõndanimetatud „klõpsuga“ dünamomeetrilised mutrivõtmed ei kontrolli potentsiaalselt ohtlike ülepingutatuse seisundeid.
- Ärge laske tööriistal töötada tühjalt. Tööriist võib liiga kiirelt tööle hakata ja paisata tarviku tööriistast eemale.
 - Veenduge, et toorik oleks kindlalt kinnitatud.

Tarvikuga seotud ohud

- Kasutage ainult sobivaid tarvikuhoidjaid (vt osade nimekirja). Võimaluse korral kasutage alati sügavaid padruneid.
- Tihvti ja rõngastihendiga pesaga kinnitussüsteeme kasutavate tööriistade puhul kasutage pesatihvti kindlaks kinnitamiseks rõngastihendit.
- Kasutage ainult heas seisukorras olevaid ja löökmutrivõtmete jaoks ettenähtud padruneid ja tarvikuid. Halvas seisukorras padrunid või käsipadrunid ja tarvikud võivad löökmutrivõtmetega kasutamisel puruneda ja õhku paiskuda.
- Kasutage alati lihtsaimat haakimisvõimalust. Pikad, vetruvad pikenduslatid ja adapterid neelavad löögijõudu ja võivad puruneda. Võimaluse korral kasutage alati sügavaid padruneid.
- Ärge puudutage töö ajal padruneid ega tarvikuid, kuna see suurendab sisselõigete, põletuste või vibratsioonivigastuste ohtu.

Kasutamisega seotud ohud

- Operaatorid ning hooldustehnikud peavad olema füüsiliselt võimelised käsitsema tööriista suurust, kaalu ja võimsust.
- Hoidke tööriista õigesti: olge valmis normaalsetele või ootamatutele liikumistele vastu tegutsema. Olge valmis kasutama mõlemat kätt.
- Ärge kasutage väiksema õhusurvega või kulunud olekus: muhv ei pruugi töötada, mille tulemuseks võib olla tööriista käepideme ootamatu liikumine.
- Hoidke lüliti alati täieliku kontrolli all. Ärge jääge tööriista ja töödeldava eseme vahele.

Korduva liigutusega seotud ohud

- Mootortööriistaga töötades võib operaator kogeda kätes, käsivartes, õlgades, kaelas ning teistes kehaosades ebamugavustunnet.
- Võtke võimalikult mugav ja samas kindel asend ning hoiduge ebaloomulikest või tasakaalust väljas olevatest asenditest. Pikemate toimingute ajal võib asendi muutmine aidata vältida ebamugavustunnet ja väsimust.
- Ärge ignoreerige selliseid sümptomeid nagu püsiv või korduv ebamugavustunne, valu, tuikamine, surin, tuimus, põletustunne või kangus. Lõpetage tööriista kasutamine, rääkige oma tööandjaga ja pidage nõu arstiga.

Müra ja vibratsiooniga seotud ohud

- Vali heli võib põhjustada püsivat kuulmiskaotust või teisi probleeme, näiteks kõrvade kumisemist. Kasutage oma tööandja või tervishoiu ja -ohutuse eeskirjadega ette nähtud kuulmiskaitsevahendeid.
- Kokkupuude vibratsiooniga või põhjustada käte ja käsivarte närvidele ja verevarustusele vigastavaid kahjustusi. Kandke sooje riideid ning hoidke oma käed soojade ja kuivadena. Kui täheldate tuimust, surinat, valu või naha kahvatuks muutumist, lõpetage tööriista kasutamine, rääkige oma tööandjaga ja võtke ühendust arstiga.
- Hoidke tööriista kerges, kuid kindlas haardes, kuna tugevalt haaramise korral on vibratsioonioht tavaliselt suurem.
- Võimaluse korral kasutage riputushooba või paigaldage külgakäepide.
- Valige, hooldage ja vahetage tarvikuid ja kulumaterjale/ tööotsakuid vastavalt kasutusjuhendile, et vältida tarbetut vibratsioonitaseme tõusu.
- Ärge kasutage kulunud ega halvasti istuvaid tööotsakuid, padruneid eega pikendusi, kuna see võib põhjustada vibratsiooni olulist suurenemist.

Töökohaga seotud ohud

- Libisemine, komistamine või kukkumine on peamised kehavigastuste või surma põhjused. Pange tähele kõndimisalale või tööpinnale vedelema jäänud voolikut.
- Vältige tööprotsessi käigus tekkiva tolmu või suitsu sissehingamist või prahi käsitemist, kuna see võib olla tervist kahjustav (põhjustades nt vähki, sünnidefekte, astmat ja/ või dermatiiti). Kasutage lendavaid osakesi tekitavate materjalidega töötamisel tolmuarastust ja kandke hingamisteid kaitsvat varustust.

- Osa mootorseadmega lihvimisel, saagimisel, puurimisel ja teiste ehitustööde käigus tekkivat tolmu sisaldab kemikaale, mis California osariigile teada olevatel andmetel põhjustab vähki ja sünnidefekte või muud reproduktiivset kahju. Mõned selliste kemikaalide näited on järgmised.
 - Pliipõhistes värvides sisalduv plii.
 - Kristalse räni tellised ja tsement ning teised müüritistooted.
 - Keemiliselt töödeldud kummis sisalduv arseen ja kroom.

Sellise kokkupuute ohtlikkus oleneb sellest, kui tihti te sellist tööd teete. Nende kemikaalidega kokkupuute vähendamiseks töötage hästi ventileeritud kohas ja heakskiidetud kaitsevarustusega, nt spetsiaalselt mikroskoopilise osakeste filtreerimiseks mõeldud kaitsemaskiga.

- Tegutsege tundmatus ümbruskonnas ettevaatlikult. Tundke oma töötegevusest tingitud potentsiaalseid ohte. Antud tööriist ei ole vooluallikatega kokkupuutumise puhuks isoleeritud.
- Antud tööriista ei soovitata kasutada potentsiaalselt plahvatusohtlikus õhustikus.

ⓘ Kaasaskantavate suruõhutööriistade täiendav ohutusteave:

- CAGI 2528 - B186.1, KAASASKANTAVATE SURUÕHUTÖÖRIISTADE OHUTUSKOODEKS, saadaval jaotises Global Engineering Documents saidil <https://global.ihs.com/> või helistades +1 800 447 2273. Kui teil on ANSI standardite hankimisega raskusi, võtke ANSIga ühendust aadressil <https://www.ansi.org/>

Kasulik teave**Päritolumaa**

Taiwan

Veebileht

Teavet meie toodete, tarvikute, varuosade ja avaldatud materjalide kohta leiate kaubamärgi Rodcraft veebisaidilt.

Tutvuge lähemalt: www.rodcraft.com.

Ohutuskaart

Ohutuskaardid kirjeldavad kaubamärgi Rodcraft müüdavaid kemikaale.

Lisateabe saamiseks külastage kaubamärgi Rodcraft veebisaiti qr.cp.com/sds.

Autoriõigus

© Autoriõigus 2023, Desoutter GmbH, Edmund-Seng-Str. 3-5, 63477 Maintal, Germany

Kõik õigused kaitstud. Volitamata kasutamine või sisu või selle osa kopeerimine on keelatud. See puudutab konkreetset just kaubamärke, mudelite nimetusi, detailide numbreid ja

jooniseid. Kasutage ainult heakskiidetud osi. Kahjustusi ega häireid, mille põhjuseks on volitamata osade kasutamine, ei kata garantii ega tootevastutus.

Deklarācijas

ES atitiktās deklarācija

Mes, **Desoutter GmbH**, Edmund-Seng-Str. 3-5, 63477 Maintal, Germany, vienašališkos atsakomybės pagrindu pareiškiame, kad gaminys (pavadinimą, tipinī ir serijas numerī žr. pirmame puslapyje), atitinka šią (-as) Direktyvā (-as):

2006/42/EC (17/05/2006)

Taikyti darnieji standartai:

EN 11148-6:2013

Atitinkamos techninės informācijas institucijos gali pareikalauti iš:

Pascal Roussy, R&D Manager, Ets Georges Renault, 38 rue Bobby Sands, BP10273 44818

Saint Herblain, France

Saint-Herblain, 2023/02/07

Pascal ROUSSY



Parāšas

Deklarācija dēl triukšma ir vibrācijas

- Garso slēgio lysis 84.8 dB(A), neapibrēztis 3 dB(A), pagal ISO 15744.
- Garso galios lysis 95.8 dB(A), neapibrēztis 3 dB(A), pagal ISO 15744.
- Bendras vibrācijas dydis 13.08 m/s², neapibrēztis 1.63 m/s², pagal ISO-28927-2.

Čia deklarūotos vērtēs buvo gautas laboratoriniais bandymais, atliktais pagal nurodytus standartus. Jas galima lyginti su deklarūotomis kitū įrankiū vērtēmis, nustatytais atlikus bandymus pagal tokius pat standartus. Vibrācijas intensyvumā taip pat galima naudoti preliminariam poveikio vertinimui. Šios deklarūotos vērtēs netinka naudoti vertinant rizikā, nes konkrečioje darbo vietoje apskaičiuotos vērtēs gali būti ir didesnēs. Faktinēs poveikio vērtēs ir žalos, kuriū gali patirti konkretus naudotojas, rizika yra unikalias ir priklauso nuo darbo būdo, ruošinio ir darbo vietos išplanavimo, taip pat – nuo poveikio trukmēs ir naudotojo fizinės būklēs.

Mes, **Desoutter GmbH**, negalime būti laikomi atsakingi už deklarūotū verčiū naudojimo vietoje faktiniū verčiū pasekmes individualiai įvertinant rizikā darbo vietoje, kurios sąlygū negalime kontroliuoti.

Netinkamai valdomas šis įrankis gali sukelti rankos–plaštakos vibrācijas sindromā. Plaštakas ir rankas veikiančios vibrācijas valdymo ES vadovas yra svetainēs <http://www.pneurop.eu/index.php> skyriaus „Tools“ (įrankiai) poskyryje „Legislation“ (teisēs aktai).

Ankstyviems simptomams, kurie gali būti susiję su vibrācijas eksponavimu, nustatyti ir valdymo procedūroms keisti taip, kad išvengtūmēte pakenkimo ateityje, mes rekomenduojame sveikatos priežiūros programā.

- ⓘ Jei ši įranga yra skirta naudoti sutvirtinus: Triukšmo spinduliuotē pateikiama kaip orientyras mašinos gamintojui. Visos mašinos triukšmo ir vibrācijas spinduliuotēs duomenys turi būti pateikiami mašinos instrukcijū vadove.

Informācija apie 33 Straipsnį dēl cheminiū medžiagū registrācijas, įvertinimo, autorizācijas ir apribojimū (REACH)

Europos reglamento (EB) Nr. 1907/2006 dēl cheminiū medžiagū registrācijas, įvertinimo, autorizācijas ir apribojimū (REACH) tarp kitū dalykū pateikia reikalavimus dēl bendravimo tiekimo grandinėje. Informācijas pateikimo reikalavimas taip pat yra taikomas ir produktams, kuriuose yra taip vadinamos labai didelį susirūpinimą keliančiomis medžiagos („Kandidatū sąrašas“) 2018 birželio 27d. švino metalas (CAS nr 7439-92-1) buvo įtrauktas į Kandidatū sąrašā.

Pagal šį punktā, jūs turite būti informuojami apie tai, kad tam tikri produkte esantys mechaniniai komponentai gali turėti švino metalo. Šią informacijā reikia pateikti laikantis šiuo metu galiojančios medžiagū apribojimo teisēs akto, pagrįsto teisėtomis išimtimis, nurodytomis dēl tam tikrū pavojingū medžiagū naudojimo elektros ir elektroninėje įrangoje apribojimo (2011/65/EU) direktyvoje. Švino metalas neturi prasisverbti arba mutuoti gaminyje, jį naudojant normaliomis aplinkybėmis, o jo koncentracija užbaigtame produkte yra daug žemesnē nei jam taikoma riba. Prašom laikytis vietos reikalavimū atsikratant švinu, esančiu gaminyje, pasibaigus gaminio naudojimo laikui.

Regioniniai reikalavimai

⚠️ ĮSPĖJIMAS

Šis produktas gali sukelti jums pavojū dēl cheminiū medžiagū poveikio, įskaitant švinā – Kalifornijos valstija žino, kad tai gali sukelti vėžį, apsigimimū ir kitā žalā re-produkcinei sistemai. Daugiau informācijas rasite

<https://www.p65warnings.ca.gov/>

Sauga

NEIŠMESTI – ATIDUOTI VARTOTOJUI

⚠️ ĮSPĖJIMAS Perskaitykite visus su šiuo elektriniu įrankiu pateikiamus įspėjimus, instrukcijas, iliustrācijas ir specifikācijas.

Jei bus nesilaikoma visū toliau pateiktū instrukcijū, gali kilti elektros smūgio, gaisro ir (arba) sunkaus sužeidimo pavojus.

Išsaugokite visus įspėjimus ir nurodymus, kad prirėikus vėliau galėtūmēte pasiskaityti.

⚠️ ĮSPĖJIMAS Visada būtina laikytis visū galiojančių vietiniū sumontavimo, eksploatacijos ir techninės priežiūros saugos taisykliū.

Naudojimo deklarācija

- Skirta tik profesionaliam naudojimui.
- Draudžiama atlikti bet kokius šio gaminio ir jo priedū pakeitimus.

- Nenaudokite šio gaminio, jei jis apgadintas.
- Jei nebežiūrėti arba atplyšo lipdukai su gaminio išpėjamaisiais ženklais, juos iškart pakeiskite.
- Gaminį gali diegti, naudoti ir techniškai prižiūrėti tik kvalifikuotas personalas pramoninio montažo aplinkoje.

Numatytoji paskirtis

Šis gaminys skirtas įmontuoti sriegines tvirtinimo detales į medį, metalą ar plastiką, bei jas išimti.

Kabelių ir akumuliatorių įrankiai: Naudoti tik patalpoje. Naudojimas kitai paskirčiai draudžiamas.

Naudojant ne originalias, gamintojo teikiamas atsargines dalis ar priedus, gali sumažėti našumas, padažnėti techninės priežiūros poreikis, padidėti triukšmo lygis ar vibracija, ko pasekoje gali būti visiškai panaikinta gamintojo atsakomybė.

Specialios gaminio instrukcijos

Eksplotavimas

Oro tiekimo reikalavimai

1. Į įrankį tiekite švarų, sausą orą, kurio maks. slėgis yra 90 psi (6,3 barų). Didesnis slėgis drastiškai sumažina įrankio tarnavimo laiką.
2. Prijunkite įrankį prie oro linijos naudodami vamzdžius, žarnas ir jungiamąsias detales, nurodytus 3 *schemoje*.

Montavimas / eksploatavimas

1. Prijunkite įrankį, kaip parodyta 3 *schemoje*.
2. Norėdami paleisti įrankį, patraukite saugos svirtį (1) ir nuspauskite droselinę svirtį (2).
3. Padidinkite įrankio greitį didindami slėgį ant droselinės svirties (2). Žr. 2 *schemą*.
4. Norėdami sustabdyti įrankį, atleiskite droselinę svirtį (1). Žr. 1 *schemą*.

Galvutės pasukimo padėtis

Žr. 4 *schemą*

1. Sustabdykite įrankį.
2. Pastumkite fiksuojamąją įvorę į priekį (1).
3. Pakeiskite įrankio galvutės padėtį, pastumdami ją aukštyn arba žemyn (2) arba gražindami į pirminę padėtį. Žr. 1 *schemą*.
4. Norėdami užfiksuoti galvutės padėtį, pastumkite fiksuojamą įvorę (1) atgal. Žr. 1 *schemą*.

ISPĖJIMAS

- ▶ Nepaleiskite įrankio, jei įrankio galvutė nėra užfiksuota.

Sukimosi padėties keitimas

Žr. 5 *schemą*

1. Sustabdykite įrankį.
2. Pasukite rankenėlę (1), kad pasuktumėte įrankio galvutę pagal arba prieš laikrodžio rodyklę.

3. Dar kartą paleiskite įrankį.

Pabaigus darbą

ISPĖJIMAS Sustojimo laikas gali būti ilgesnis nei 5 sekundės.

- ▶ Prieš padėdami įsitikinkite, kad įrankis išjungtas ir visiškai sustojo.
- ▶ Sustojimo laikas priklauso nuo naudojamo abrazyvo.

Atsargiai padėkite įrankį ir užtikrinkite, kad jis neįsijungtų savaime.

Techninis aptarnavimas ir priežiūra

Sutepimas

Naudokite oro linijai skirtą SAE #10 tepalą, kurio tiekimas sureguliuotas jį tiekti du (2) lašai per minutę.

Techninės priežiūros instrukcijos

- **Laikykitės vietinių šalies aplinkosaugos taisyklių, kad saugiai tvarkytumėte ir šalintumėte visas sudedamąsias dalis.**
- Bet kokie techninės priežiūros ar remonto darbai turėtų būti pavesti kvalifikuotiems specialistams, naudojantiems tik originalias atsargines dalis. Jei prireikė patarimo dėl techninės priežiūros arba atsarginių dalių, susisiekite su gamintoju ar artimiausiu įgaliojotuoju prekybos atstovu.
- Siekdami išvengti netyčinio įrenginio veikimo, visada patikrinkite, ar jis atjungtas nuo energijos šaltinio.
- Jei įrankis naudojamas kasdien, jį išardykite ir apžiūrėkite kas 3 mėnesius (po 500 val.). Pakeiskite visas pažeistas arba nusidėvėjusias dalis.
- Siekiant išvengti prastovų, rekomenduojama naudoti šį priežiūros rinkinį: **Derinimo rinkinys**

Šalinimas

- Išmetant šią įrangą reikia vadovautis atitinkamos šalies teisės aktais.
- **NEEKSPLOATUOKITE** apgadintų, labai nusidėvėjusių ar netinkamai veikiančių įrenginių.

Bendrosios saugos instrukcijos

Oro tiekimo ir jungčių pavojai

- Suspaustas oras gali sukelti sunkių sužalojimų.
- Prieš keisdami priedus arba atlikdami taisymus, visada išjunkite oro tiekimą, oro slėgio nusausinimo žarną ir atjunkite prietaisą nuo oro tiekimo, kai jo nenaudojate.
- Niekada nenukreipkite oro tiesiogiai į save ar bet kurį kitą asmenį.
- Besiplaikstančios žarnos gali sunkiai sužaloti. Visada patikrinkite, ar nėra pažeistų arba laisvų žarnų arba pritvirtinimų.
- Nenaudokite su įrankiu greitai atjungiamų movų. Tinkamą sąranką žr. instrukcijose.
- Jei naudojamos universalios užsukamos movos, jos turi būti su fiksuojamais kaišiais.

- Neviršykite maksimalaus 6,3 bar / 90 psig oro slėgio arba nurodyto prietaiso pavadinimo lentelėje.

Įsipainiojimo pavojai

- Laikykitės atokiai nuo besisukančios pavaros. Jei nelaikysite laisvų drabužių, pirštinių, papuošalų ir kaklo aksesuarų atokiau nuo prietaiso ir priedų, galite uždusti ir (arba) patirti plėštinių žaizdų.
- Besisukanti pavara gali įtraukti pirštines, todėl galite susižaloti ar susilaužyti pirštus.
- Besisukantys pavaros lizdai ir pailginimo įtaisai gali įtraukti gumuotas ir metalu padengtas pirštines.
- Nemūvėkite laisvų pirštinių, ar pirštinių su nupjautais ar nudilusiais pirštais.
- Niekada nelaikykite pavaros, lizdo ar pailginimo įtaiso.

Rizikos atvejai, susiję su dalelių lakstymu

- Visuomet naudokitės smūgiams atspariomis akių ir veido apsaugos priemonėmis, kai dirbate ar esate šalia dirbančio įrankio, remontuojate ar prižiūrite jį, ar keičiate įrankio detales.
 - Visi kiti asmenys, esantys netoliese, turi dėvėti poveikiui atsparią akių ir veido apsaugą. Net smulkios lakstančios dalelės gali sužeisti akis ar apakinti.
 - Tvirtinimo detales pernelyg arba nepakankamai prisukus, jos gali lūžti, atsilaisvinti arba atsiskirti ir rimtai sužaloti. Atsilaisvinusios mazgų detalės gali būti išsviedžiamos. Tam tikru sukimo momentu besisukančios dalys turi būti patikrintos sukimo momento matuokliu.
- PASTABA Vadinamųjų „spragtelinčių“ sukimo veržliasukių netikrinkite dėl potencialiai pavojingų pernelyg didelio sukimo momento sąlygų.
- Nejunkite veržliarakčio tuomet, kai jis neliečia detalės. Jis gali per greitai suktis ir išmesti iš įrankio priedus.
 - Sekite, kad apdorojamoji detalė būtų tvirtai užfiksuota.

Rizika, susijusi su priedais

- Naudokite tik tinkamus priedų fiksatorius (žiūrėkite dalių sąrašą). Jei įmanoma, naudokite galias movas.
- Įrankiuose, kuriuose naudojamas kaištis ir sandarinimo žiedo lizdo fiksavimo sistema, sandarinimo žiedu saugiai užfiksuokite kaištį.
- Naudokite tik vardines įspaudžiamas veržliarakčio movas bei geros būklės priedus. Su įspaudimo veržliarakčiais naudojami prastos būklės lizdai arba rankiniai lizdai ir priedai gali sulūžti.
- Visuomet naudokite paprasčiausią galimą sujungimą. Ilgos elastingos tempimo juostos ir jungikliai sugeria įspaudimo jėgą ir gali sulaužyti įrankį. Jei įmanoma, naudokite galias movas.
- Darbo metu nelieskite lizdų ar priedų, nes tai padidina įpjovimų, nudegimų ar sužalojimų dėl vibracijos riziką.

Su darbu susiję pavojai

- Su įrankiu dirbantys ir jį prižiūrintys darbuotojai turi fizikai pajėgti išlaikyti įrankį pagal jo tūrį, svorį bei galingumą.
- Teisingai laikykite įrankį: būkite pasiruošę neutralizuoti įprastinius ar staigius judesius – tai daryti reikia abiem rankom.

- Nenaudokite, kai sumažėjęs oro slėgis arba nusidėvėjusio įtaiso: veržiamasis įtaisas gali neveikti, todėl įrankio rankena gali staiga pasisukti.
- Visuomet tikrinkite droselį. Tarp įrankio ir sukamo objekto negali būti kliūčių.

Pavojai dėl pasikartojančio judesio

- Dirbdamas elektriniu įrankiu operatorius gali patirti nepatogių pojūčių rankose, pečiuose, kakle ar kitose kūno dalyse.
- Pasistenkite stovėti patogiai, kojos turi būti tvirtai atremtos, venkite prarasti pusiausvyrą ir nepatogių padėčių. Nepatogumo ir nuovargio galima išvengti keičiant kūno padėtį.
- Neignoraukite simptomų, pavyzdžiui, nuolatinio ar pasikartojančio nepatogumo, skausmo, smilkčiojimo, spengimo, tirpulio, deginimo jausmo ar sustingimo. Nustokite dirbti įrankiu, informuokite savo darbdavį ir kreipkitės į gydytoją.

Triukšmo ir vibracijos pavojai

- Įrankio keliamas didelis triukšmas gali negrįžtamai pakentti klausai ir sukelti kitų problemų, pavyzdžiui, spengimą ausyse. Naudokite ausų apsaugas, kurias rekomenduoja jūsų darbdavys ar darbuotojų sveikatos ir saugos teisės aktai.
- Vibracijos poveikis gali pažeisti nervus ir rankų bei kojų kraujotaką. Dėvėkite šiltus drabužius ir pasirūpinkite, kad rankos būtų šiltos ir sausos. Jei pajuntate tirpimą, dilgčiojimą, skausmą arba pabąla oda, nustokite dirbti įrankiu, informuokite savo darbdavį ir kreipkitės į gydytoją.
- Lengvai tačiau tvirtai laikykite įrankį, kadangi vibracijos pavojus yra didesnis, jei įrankis suimamas stipriai.
- Kai įmanoma, naudokite pakabos svirtį arba pritaisykite šoninę rankeną.
- Rinkitės, remontuokite ir keiskite priedus bei eksploatacines medžiagas ir (arba) įmontuotą įrankį pagal instrukcijų vadovą, kad išvengtumėte nereikalingo vibracijos lygio padidėjimo.
- Nenaudokite susidėvėjusių arba netinkamų atsuktuvo antgalių, lizdų ar ilgintuvų, nes tai gali žymiai padidinti vibraciją.

Pavojai darbo vietoje

- Paslydimas, suklupimas ar griuvimas yra pagrindinės sunkių ar mirtinų sužeidimų priežastys. Saugokitės žarnų paliktų vietoje, kur vaikstoma, arba darbo srityje.
- Stenkitės neįkvėpti dulkių ar garų ir liesti lūžėnų darbo metu, nes tai gali būti pavojinga sveikatai (pavyzdžiui, sukelti vėžį, apsigimimus, astmą ir (arba) dermatitą). Dirbdami su medžiagomis, kurios skleidžia daleles į orą naudokite dulkių ištraukimo sistemas ir dėvėkite apsaugines kvėpavimo priemones.
- Kai kuriose dulkėse sukeltose šlifavimo, pjovimo, gręžimo ir kitų veiksmų yra chemikalų, kurie, kaip žinoma Kalifornijos valstijoje, gali sukelti vėžį, įgimtas ydas arba kitą reprodukcinę žalą. Kai kurių šių chemikalų pavyzdžiai:
 - Švinas iš dažų, kurių pagrindas yra švinas
 - Kristalinio silicio plytos ir cementas bei kiti mūriniai gaminiai

- Arsenas ir chromas iš chemiškai apdorotos gumos

Sąveikos su šiais chemikalais poveikis gali skirtis atsižvelgiant į tai kaip dažnai dirbate ši darba. Norėdami sumažinti sąveiką su šiais chemikalais: dirbkite gerai vėdinamoje patalpoje ir naudokite patvirtintas saugumo priemones, pvz., dulkių kaukes, kurios specialiai sukurtos tam, kad filtruotų mikroskopines daleles.

- Ypač būkite atsargūs nepažįstamoje aplinkoje. Išsiaiškinkite potencialius pavojus, kuriuos sukelia darbas su varikliu. Įrankis nėra izoliuotas nuo elektros šaltinių.
- Šio įrankio nerekomenduojama vartoti potencialiai sprogioje aplinkoje.

i Papildoma saugos informacija apie nešiojamus orinius įrankius:

- CAGI 2528 - B186.1, SAUGOS KODAS PAGALBINIAMS ORINIAMS ĮRANKIAMS, prieinamas „Pasaulio techniniuose dokumentuose“ adresu <https://global.ihs.com/> arba telefonu +1 800 447-2273. Jei kilo sunkumų, susijusių su ANSI standartų įsigijimu, susisiekite su ANSI adresu <http://www.ansi.org/>

Naudinga informacija

Kilmės šalis

Taiwan

Tinklavietė

Informaciją apie mūsų Gaminis, Priedus, Atsargines dalis ir Paskelbtus klausimus rasite Rodcraft puslapyje.

Apsilankykite: www.rodcraft.com.

Saugos duomenų lapas

Saugos duomenų lapuose aprašomi cheminiai produktai, paroduodami Rodcraft.

Apsilankykite Rodcraft svetainėje ir sužinokite daugiau qr.cp.com/sds.

Autorių teisės

© Copyright 2023, Desoutter GmbH, Edmund-Seng-Str. 3-5, 63477 Maintal, Germany

Visos teisės saugomos. Draudžiamas bet koks šio turinio ar jo dalies naudojimas arba kopijavimas neturint tam leidimo. Tai ypač taikoma prekių ženklams, modelių pavadinimams, dalių numeriams ir brėžiniams. Naudokite tik leistas dalis. Jei gaminys veiks blogai arba suges dėl neleistinų dalių naudojimo, garantija nebus taikoma.

Deklaracijos

ES atbilstības deklarācija

Mēs, **Desoutter GmbH**, Edmund-Seng-Str. 3-5, 63477 Maintal, Germany, vienpersoniski uzņemoties atbildību, paziņojam, ka produkts (ar nosaukumu, tipu un sērijas numuru, kas atrodami titullapā) atbilst šai direktīvai(-ām):

2006/42/EC (17/05/2006)

Piemērotie saskaņotie standarti:

EN 11148-6:2013

Iestādes var pieprasīt nepieciešamo tehnisko informāciju no:

Pascal Roussy, R&D Manager, Ets Georges Renault, 38 rue Bobby Sands, BP10273 44818

Saint Herblain, France

Saint-Herblain, 2023/02/07

Pascal ROUSSY



Paraksts

Pārskats par trokšņa un vibrācijas deklarāciju

- Skaņas spiediena līmenis 84.8 dB(A), nenoteiktība 3 dB(A) saskaņā ar ISO 15744.
- Skaņas jaudas līmenis 95.8 dB(A), nenoteiktība 3 dB(A) saskaņā ar ISO 15744.
- Kopējā vibrācijas vērtība 13.08 m/s², nenoteiktība 1.63 m/s² saskaņā ar ISO-28927-2.

Šīs deklarētās vērtības tika iegūtas, izmantojot laboratorijas tipa testēšanu saskaņā ar noteiktajiem standartiem, un tās ir piemērotas tādu instrumentu salīdzināšanai, kuru deklarētās vērtības ir pārbaudītas saskaņā ar tādiem pašiem standartiem. Vibrācijas emisijas līmeni var izmantot iepriekšējam iedarbības novērtējumam. Šīs deklarētās vērtības nav piemērotas riska novērtēšanai, un atsevišķās darba vietās izmērītās vērtības var būt lielākas. Faktiskās iedarbības vērtības un kaitējuma risks katram lietotājam ir unikāls un ir atkarīgs no veida, kā lietotājs strādā, no darba detaļas un darba stacijas konstrukcijas, kā arī iedarbības laika un lietotāja fiziskā stāvokļa.

Mēs, **Desoutter GmbH**, neatbildam par sekām, kas radušās no norādīto vērtību, nevis reālās iedarbības vērtību lietošanas personiskā riska novērtējumā darbavietā situācijā, kuru mēs nekontrolējam.

Ja šī instrumenta lietošana netiek atbilstoši pārvaldīta, tas var izraisīt plaukstu/roku vibrāciju sindromu. ES vadlīnijas par plaukstu-roku vibrāciju var atrast vietnē <http://www.pneurop.eu/index.php>, izvēloties “Instrumenti” un pēc tam “Likumdošana”.

Iesakām izmantot veselības novērošanas programmu, lai atklātu agrīnus simptomus, kas varētu būt saistīti ar vibrācijas iedarbību, lai varētu mainīt atbilstošo darba organizāciju, nepieļaujot turpmāku stāvokļa pasliktināšanos.

- i** Ja šī iekārta ir paredzēta statistiskiem pielietojumiem: Trokšņa emisijas vērtība ir norādīta kā vadlīnija mašīnu ražotājam. Trokšņa un vibrācijas emisijas datiem par visu mašīnu jābūt norādītiem mašīnas lietošanas rokasgrāmatā.

Informācija par REACH 33. pantu

Eiropas Regula (ES) Nr. 1907/2006, kas attiecas uz ķīmisko vielu reģistrēšanu, vērtēšanu, licencēšanu un ierobežošanu (REACH) cita starpā nosaka arī prasības, kas saistītas ar komunikāciju piegādes ķēdē. Prasība sniegt informāciju attiecas arī uz produktiem, kas satur tā sauktās īpaši bīstamās vielas (“kandidātu saraksts”). 2018. gada 27. jūnijā kandidātu sarakstam tika pievienots svina metāls (CAS Nr. 7439-92-1).

Saskaņā ar iepriekš minēto, ar šo informējam jūs, ka noteiktas mehāniskās produkta sastāvdaļas var saturēt svina metālu. Tas ir saskaņā ar spēkā esošajiem tiesību aktiem par vielu ierobežošanu, un to pamatā ir RoHS direktīvā (2011/65/ES) paredzētie likumīgie atbrīvojumi. Parastā lietošanas laikā no ražojuma neizplūst vai nemutējas svina metāls, un svina metāla koncentrācija visā produktā ir ievērojami zemāka par piemērojamo robežvērtību. Lūdzu, ņemiet vērā vietējās prasības attiecībā uz svina iznīcināšanu produkta kalpošanas laika beigās.

Reģionālās prasības

BRĪDINĀJUMS

Šis produkts var jūs pakļaut svina apdraudējumam, kurš Kalifornijas štatā ir zināms kā vēža un iedzimtu defektu izraisītājs, kā arī citu reproduktīvo funkciju kaitējumu avots. Lai saņemtu plašāku informāciju, apmeklējiet

<https://www.p65warnings.ca.gov/>

Drošība

NEIZMETIET — NODODIET LIETOTĀJAM

BRĪDINĀJUMS Izlasiet visus drošības brīdinājumus, norādījumus, ilustrācijas un specifikācijas, kas saņemtas kopā ar šo elektroinstrumentu.

Neievērojot visus tālāk sniegtos norādījumus, varat izraisīt elektrisko triecienu, ugunsgrēku un/vai smagas traumas.

Saglabājiet visus brīdinājumus un norādījumus turpmākai uzziņai.

BRĪDINĀJUMS Pastāvīgi jāievēro visi vietējie drošības noteikumi, kas attiecas uz uzstādīšanu, ekspluatāciju un apkopi.

Produkta pielietojums

- Tikai profesionālai lietošanai.
- Šo produktu un tā palīgaprīkojumu aizliegts jebkādā veidā pārveidot.
- Neizmantojiet šo produktu, ja tas ir bojāts.
- Ja produkta dati vai bīstamības brīdinājuma zīmes uz produkta vairs nav salasāmas vai atļīmējas, nekavējoties nomainiet tās.
- Šo produktu drīkst uzstādīt, lietot un apkalpot tikai kvalificēta persona rūpnieciskā montāžas vidē.

Paredzētais pielietojums

Šis produkts paredzēts vītņotu stiprinājumu ieskrūvēšanai un izskrūvēšanai no koka, metāla vai plastmasas.

Kabeļu un akumulatoru instrumenti: Tikai lietošanai telpās. Citi lietošanas veidi nav atļauti.

Izmantojot rezerves daļas vai piederumus, kas nav ražotāja sākotnēji piegādātās rezerves daļas vai piederumi, var pasliktināties to veiktspēja un pieaugt tehniskās apkopes reižu skaits, trokšņa līmenis vai vibrācijas, kā rezultātā var tikt pilnībā atcelta ražotāja atbildība.

Produktam specifiskas instrukcijas

Darbība

Gaisa padeves prasības

1. Nodrošiniet instrumentam tīru, sausu gaisu ar maksimālo spiedienu 90 psi (6,3 bar). Augstāks spiediens krasi samazina instrumenta kalpošanas laiku.
2. Pievienojiet instrumentu gaisa līnijai, izmantojot cauruļu, šļūteņu un veidgabalu izmērus, kas parādīti 3. *shēmā*.

Uzstādīšana / darbība

1. Pievienojiet instrumentu, kā parādīts 3. *shēmā*.
2. Lai palaistu instrumentu, pavelciet drošības sviru (1) un nospiediet droseles sviru (2).
3. Palieliniet instruments ātrumu, palielinot spiedienu uz droseles sviru (2). *Skat. 2. shēmu.*
4. Atlaidiet droseles sviru (1), lai apturētu instrumentu. *Skat. 1. shēmu.*

Griezošās galvas pozīcija

Skat. 4. shēmu

1. Apturiet instrumentu.
2. Pavelciet uz priekšu bloķēšanas uznavu (1).
3. Samainiet instrumentu galvas pozīciju uz augšu vai uz leju (2), vai atpakaļ sākotnējā pozīcijā. *Skat. 1. shēmu.*
4. Nospiediet atpakaļ bloķēšanas uznavu (1), lai nofiksētu galvas pozīciju. *Skat. 1. shēmu*

BRĪDINĀJUMS

- Nepalaidiet instrumentu, ja tā galva nav nofiksēta.

Rotācijas virziena maiņa

Skat. 5. shēmu

1. Apturiet instrumentu.
2. Pagrieziet grozāmpogu (1), lai rotētu instrumenta galvu pulksteņrādītāja kustības virzienā vai pretēji pulksteņrādītāja kustības virzienam.
3. Atkārtoti palaidiet instrumentu.

Pēc tam, kad darbs ir pabeigts**⚠ BRĪDINĀJUMS Apstāšanās laiks var būt ilgāks par 5 sekundēm.**

- ▶ Pirms instrumenta nolikšanas pārlicinieties, ka instruments ir izslēgts un tā kustība ir pilnīgi apturēta.
- ▶ Apstāšanās laiks ir atkarīgs no izmantotā abrazīvā materiāla.

Rūpīgi nolieciet instrumentu, lai nodrošinātu, ka tas nesāks darboties pats no sevis.

Apkope un uzturēšana**Eļļošana**

Izmantojiet gaisa vada eļļnīcu ar SAE #10 eļļu, kas noregulēta uz diviem (2) pilieniem minūtē.

Apkopes norādījumi

- Ievērojiet vietējos vides normatīvus par drošu apiešanos ar visām sastāvdaļām un to utilizāciju.
- Apkopes un remonta darbi jāveic kvalificētam personālam, izmantojot tikai oriģinālās rezerves daļas. Sazinieties ar ražotāju vai tuvāko pilnvaroto izplatītāju, lai saņemtu konsultāciju par tehnisko apkopi, vai, ja jums ir nepieciešamas rezerves daļas.
- Vienmēr pārlicinieties, ka iekārta ir atslēgta no enerģijas avota, lai izvairītos no nejaušas iedarbināšanas.
- Demontējiet un pārbaudiet instrumentu ik pēc 3 mēnešiem (500 stundām), ja instruments tiek lietots katru dienu. Nomainiet bojātas vai nodilušas daļas.
- Lai samazinātu dīkstāvi līdz minimumam, ieteicams izmantot šādu apkopes komplektu: **Pieregulēšanas komplekts**

Utilizācija

- Utilizējot šo iekārtu, jāievēro attiecīgās valsts tiesību akti.
- Visu bojāto, smagi nolietoto vai nepareizi darbojošos ierīču **EKSPLUATĀCIJA IR JĀPĀRTRAUC.**

Vispārīgas drošības instrukcijas**Gaisa padeve un savienojumu riski**

- Saspiests gaiss var radīt smagas traumas.
- Kad instruments netiek lietots, pirms maināt piederumus, vai veiciet apkopes darbus, vienmēr noslēdziet gaisa padevi, iztukšojiet gaisa spiediena šļūteni un atvienojiet to no gaisa padeves.
- Nekad nevērsiet tiešu gaisa plūsmu savā vai citu virzienā.
- Šļūteņu nekontrolēta kustība var izraisīt smagas traumas. Vienmēr pārbaudiet, vai šļūtenes vai veidgabali nav bojāti vai vaļīgi.
- Pie instrumenta nedrīkst lietot ātri atvienojamas savienotājuzmavas. Skatiet pareizas uzstādīšanas norādījumus.
- Izmantojot universālās savienotājuzmavas ar vītņi, jāuzstāda aizturtaņas.

- Nepārsniedziet maksimālo atļauto gaisa spiedienu 6,3 bar / 90 psig vai, kā norādīts instrumenta datu plāksnītē.

Sapīšanās riski

- Turiet atstatus no rotējošās piedziņas. Ja vaļīgas drēbes, cimdī, rotaslietas, kaklarotas un mati netiek turēti atstatus no instrumenta un tā piederumiem, var tikt izraisīta žņaugšana, skalpēšana un/vai plēstas brūces.
- Rotējošā vārpsta var aizķert cimdus, izraisot pirkstu iespiešanu vai salaušanu.
- Vārpstas uzgaļi un pagarinājumi var viegli aizķert gumijas vai metāla pastiprinātus cimdus.
- Nevalkājiet vaļīgus cimdus vai cimdus ar iegriezumiem vai nodriskātiem pirkstiem.
- Nekādā gadījumā neturiet vārpstu, mucīņu vai vārpstas pagarinājumu.

Lidojošu objektu riski

- Strādājot ar instrumentu vai esot tā tuvumā, veicot remontu vai apkopi vai mainot tā piederumus, vienmēr valkājiet triecienizturīgus acu un sejas aizsargus.
- Pārlicinieties, vai citas personas darba zonā lieto atbilstošus acu un sejas aizsardzības līdzekļus. Pat niecīgākās atlūzas var radīt acs traumu un izraisīt aklumu.
- Pārāk pievilkti vai vaļīgi stiprinājumi var radīt smagas traumas, tiem lūstot vai atskrūvējoties un atdaloties. Izkritušas detaļas no instrumenta var tikt izsviestas ar spēku. Montāžas mezgli, kuriem nepieciešams konkrēts griezes moments, ir jāpārbauda ar griezes momenta mērītāju.

PIEZĪME. Tā saucamā “klikšķa” dinamometriskā uzgriežņatslēga nenodrošina pilnīgu aizsardzību pret pārāk stipru piegriešanu.

- Nedarbiniet instrumentu tukšgaitā. Tas var griezties pārāk ātri un izraisīt piederuma aizsviešanu.
- Sekojiet tam, lai apstrādājamais materiāls būtu kārtīgi nofiksēts.

Ar piederumiem saistītie riski

- Izmantojiet tikai pareizos piederumu fiksatorus (skatiet daļu sarakstu). Kur vien iespējams, izmantojiet dziļās mucīņas.
- Strādājot ar instrumentiem, kuros izmantota tapas un blīvgredzena fiksatora sistēma, droši nostipriniet darba uzgaļa tapu ar blīvgredzenu.
- Izmantojiet tikai triecienuzgriežņatslēgām paredzētus darba uzgaļus un piederumus, kas ir labā stāvoklī. Lietojot ar triecienuzgriežņatslēgām darba uzgaļus vai piederumus, kas ir sliktā stāvoklī vai paredzēti lietošanai ar rokas instrumentiem, tie var saplīst un kļūt par lidojošām atlūzām.
- Vienmēr izmantojiet vienkāršākos savienojumus, kādi ir iespējami. Gari, elastīgi pagarinājumi un adapteri absorbē triecienu spēku un var tikt salauzti. Kur vien iespējams, izmantojiet dziļās mucīņas.
- Darbības laikā nepieskarieties mucīņām vai piederumiem, jo tas palielina griezumu, apdegumu vai vibrācijas traumu risku.

Ekspluatācijas riski

- Operatoriem un apkopes personālam ir jāprot apieties ar instrumenta lielumu, svaru un tā jaudu.
- Turiet motoru pareizi: esiet gatavi izturēt normālu pret-darbību vai pēkšņas kustības — turiet gatavībā abas rokas.
- Neizmantojiet ar samazinātu gaisa spiedienu vai nodilušā stāvoklī: sajūgs var nenostādāt, izraisot pēkšņu instrumenta roktura griešanos.
- Vienmēr kontrolējiet instrumenta jaudu. Neatrodiet starp instrumentu un darba objektu.

Atkārtotu kustību riski

- Izmantojot elektroinstrumentu, lai veiktu ar darbu saistītas aktivitātes, operators var izjust diskomfortu plaukstās, rokās, plecos, kaklā vai citās ķermeņa daļās.
- Ieņemiet ērtu pozu, saglabājiet drošu atbalstu ar kājām un izvairieties no neērtām nelīdzsvarotām pozām. Pozas maiņa ilgstošu darbu laikā var palīdzēt izvairīties no diskomforta un noguruma.
- Neignorējiet tādas simptomus kā pastāvīgs vai regulārs diskomforts, sāpes, pulsēšana, smeldze, džinkstēšana, tirpums, dedzināšanas sajūta vai stīvums. Pārtrauciet instrumenta izmantošanu, paziņojiet par to darba devējam un konsultējieties ar ārstu.

Trokšņa un vibrāciju riski

- Augsts skaņas līmenis var izraisīt neatgriezenisku dzirdes zudumu un citas problēmas, piemēram, trokšņus ausīs. Izmantojiet piemērotus ausu aizsardzības līdzekļus, kā to nosaka jūsu darba devējs vai darba drošības un veselības aizsardzības noteikumi.
- Vibrāciju iedarbība var radīt paliēkošus bojājumus nerviem un roku un plaukstu asinsritei. Valkājiet siltas drēbes un turiet plaukstu siltas un sausas. Konstatējot nejutīgumu, tirpšanu, sāpes vai ādas bālumu, pārtrauciet instrumenta izmantošanu, paziņojiet par to darba devējam un konsultējieties ar ārstu.
- Turiet instrumentu vieglā, bet drošā satvērienā, jo parasti vibrācijas riski ir lielāki, kad satvēriens ir ciešs.
- Kur iespējams, izmantojiet piekares sviru vai uzstādiet sānu rokturi.
- Izvēlieties, apkopiet un nomainiet piederumus un ekspluatācijas materiālus/ievietojamos instrumentus saskaņā ar lietošanas rokasgrāmatu, lai novērstu nevajadzīgu vibrācijas līmeņa paaugstināšanos.
- Neizmantojiet nolietotus vai slikti pieguļošus skrūvgriežu uzgaļus, mucīņas vai pagarinājumus, jo tas var ievērojami palielināt vibrācijas.

Darba vietas riski

- Slīdēšana/aizķeršanās/nokrišana ir viens no galvenajiem smagu traumu vai nāves cēloņiem. Uzmanieties no šļūtenes likumiem, kas var būt atstāti uz darba virsmas vai grīdas.
- Izvairieties no putekļu vai dūmu ieelpošanas vai darba ar gruziem, kas var kaitēt veselībai (piemēram, kaitēt grūtniecībai, izraisīt vēzi, astmu un/vai dermatītu). Strādājot ar materiāliem, kas izplata gaisā daļiņas, lietojiet putekļu ekstrakcijas un elpošanas aizsarglīdzekļus.

- Daži putekļi, kas rodas pulēšanas, zāģēšanas, slīpēšanas, urbšanas un citu būvdarbu rezultātā satur ķīmiskas vielas, kas Kalifornijas štatam zināmas, kā vēža, iedzimtu defektu un citu reproduktīvu kaitējumu izraisītājas. Tālāk doti daži piemēri:

- svins no svīnu saturošām krāsām;
- kristāliskā silīcija ķieģeļi, cements un citi mūrēšanas produkti;
- arsēns un hroms no ķīmiski apstrādātas gumijas.

Šo iedarbību risks atšķiras atkarībā no tā, cik bieži jūs darāt šo darbu. Lai ierobežotu šo ķīmisko vielu iedarbību, jāstrādā labi vēdināmā vietā, lietojot apstiprinātu aizsargaprīkojumu, piemēram, putekļu maskas, kas ir īpaši veidotas mikroskopisku daļiņu aizturēšanai.

- Ievērojiet piesardzību, strādājot svešā darba vidē. Strādājot uzmanieties no potenciālas bīstamības, kas var rasties jūsu darbību rezultātā. Šis instruments nav nodrošināts pret saskari ar elektrisko strāvu vadošiem elementiem.
- Šo ierīci nav ieteicams izmantot potenciāli eksplozīvā atmosfērā.

i Papildu drošības informācija par pārnēsājamiem pneimatiskajiem instrumentiem:

- CAGI 2528 - B186.1, DROŠĪBAS KODEKSS PĀRNĒSĀJAMIEM PNEIMATISKAJIEM INSTRUMENTIEM, pieejams Global Engineering Documents vietnē <https://global.ihs.com/> vai zvanot uz +1 800 447-2273. Ja jums ir grūtības iegūt ANSI standartus, sazinieties ar ANSI caur mājas lapu <https://www.ansi.org/>

Noderīga informācija**Izcelsmes valsts**

Taiwan

Vietne

Informāciju par mūsu produktiem, piederumiem, rezerves daļām un publicētajiem materiāliem var atrast Rodcraft tīmekļa vietnē.

Lūdzu, apmeklējiet: www.rodcraft.com.

Drošības datu lapa

Drošības datu lapās aprakstīti Rodcraft pārdotie ķīmiskie produkti.

Lai iegūtu plašāku informāciju, lūdzu, apmeklējiet Rodcraft tīmekļa vietni qr.cp.com/sds.

Autortiesības

© Autortiesības 2023, Desoutter GmbH, Edmund-Seng-Str. 3-5, 63477 Maintal, Germany

Visas tiesības paturētas. Saturā vai tā daļās neatļauta izmantošana vai kopēšana ir aizliegta. It sevišķi tas attiecas uz preču zīmēm, modeļu nosaukumiem, daļu numuriem un rasējumu.

miem. Izmantojiet tikai atļautas daļas. Garantija vai ražotāja atbildība par produktu neattiecas uz kaitējumiem vai darbības traucējumiem, ko izraisījusi neatļautu daļu lietošana.

声明

EU 符合性声明

我们 (Desoutter GmbH, Edmund-Seng-Str. 3-5, 63477 Maintal, Germany) 全权声明, 本产品 (名称、型号和序列号, 请见首页) 符合以下指令:

2006/42/EC (17/05/2006)

应用的协调标准:

EN 11148-6:2013

政府机构可索取相关技术信息:

Pascal Roussy, R&D Manager, Ets Georges Renault, 38 rue Bobby Sands, BP10273 44818 Saint Herblain, France

Saint-Herblain, 2023/02/07

Pascal ROUSSY



签名

噪音与振动声明

- 声压级 84.8 dB(A), 不确定性 3 dB(A), 符合 ISO 15744。
- 声功率级 95.8 dB(A), 不确定性 3 dB(A), 符合 ISO 15744。
- 总振动值 13.08 m/s²、不确定性 1.63 m/s², 符合 ISO-28927-2。

这些声明值均根据所述标准通过实验室型式试验得出, 适用于与采用相同标准试验的其他工具之声明值进行比较。震动发射水平可以用于进行暴露初步评估。此类声明值不适合用于风险评估, 在个别作业场所测得的数值可能会更高。个别用户经受的实际暴露值以及危害风险可能因人而异, 具体视该用户的作业方式、工件及工作站设计、暴露时间以及其身体状况而定。

Desoutter GmbH 郑重声明: 对于不受其控制的工作场所状况下进行的单独风险评估, 如使用声明值而非实际暴露值, 则 Desoutter 对其后果不负任何责任。

若未经充分处理就使用本工具, 可能会引起手-臂振动症状。有关预防手臂振动的 EU 指南, 请访问 <http://www.pneurop.eu/index.php> 并选择“工具”-“法规”进行查看。

我们建议制定一个健康监督方案, 以尽早检测出可能与振动接触相关的早期症状, 从而对管理程序进行修改, 避免今后造成损害。

- ① 如果本设备适合于拧紧机系统: 所提供的噪声排放信息可供机器装配者参考。整套机器的噪声和振动发射数据应在机器的指导手册中提供。

有关 REACH 第 33 条的信息

欧洲法规 (EU) No. 1907/2006 化学品的注册、评估、授权和限制 (REACH) 定义了与供应链中通信相关的要求。信息要求也适用于含有所谓高度关注物质 (“候选列表”) 的产品。2018 年 6 月 27 日, 铅金属 (CAS 编号 7439-92-1) 被纳入候选列表。

根据上述要求, 特此通知您产品中的某些机械部件可能含有铅金属。这符合现行的物质限制法规, 并基于 RoHS 指令 (2011/65/EU) 中的合法豁免。在正常使用过程中, 铅金属不会从产品中泄漏或突变, 并且整个产品中的铅金属浓度远低于适用的阈值限制。请考虑当地对产品寿命终止时铅处置的要求。

区域性要求

⚠ 警告

该产品可能会使您暴露于化学物质 (包括铅), 加利福尼亚州已明确铅可导致癌症和先天缺陷或其他生殖危害。更多信息请访问

<https://www.p65warnings.ca.gov/>

安全

切勿丢弃 – 请交给使用者

⚠ 警告 阅读随本电动工具提供的所有安全警告、说明、图解和规定。

不遵守下列全部说明可能导致电击、火灾和/或严重的伤害。

保存所有警告和说明书以备查阅。

⚠ 警告 安装、操作以及维护过程中必须始终遵守当地的安全法规。

使用声明

- 仅供专业使用。
- 此产品及其附件不得以任何形式进行改造。
- 如果此产品已损坏, 则不得使用。
- 如果产品上的产品数据或危险警示牌不再清晰可读或已脱落, 请立即更换。
- 该产品必须只能由具有相关资质的人员在工业环境中安装、操作和维护。

预期用途

此产品用于安装和拆卸木制、金属制或塑料制的螺纹扣件。

电缆和电池工具: 仅供室内使用。不得用于其他用途。

使用非制造商原厂备用零部件或配件可能会导致工具性能下降以及维护次数、噪音量或振动增加, 从而制造商将不承担任何责任。

产品特定说明

操作

气源要求

1. 向工具供应最大压力为 90 psi (6.3 bar) 的清洁干燥空气。较高的压力会大大缩短工具寿命。
2. 使用方案 3 所示的管道、软管和配件尺寸将工具连接到空气管路。

安装 / 操作

1. 按方案 3 所示连接工具。
2. 拉起安全杆 (1) 然后推入节气门扳杆 (2)，即可启动工具。
3. 通过增加节气门扳杆 (2) 上的压力来提高工具速度。参见方案 2。
4. 松开节气门扳杆 (1) 以停止工具。参见方案 1。

转塔位置

参见方案 4

1. 停止工具。
2. 向前推锁紧套筒 (1)。
3. 将工具头的位置改为朝上或朝下 (2)，或返回正常位置。参见方案 1。
4. 向后推锁紧套筒 (1) 锁定工具头位置。参见方案 1

⚠ 警告

- ▶ 如果工具头未锁定，请不要启动工具。

更改旋转方向

参见方案 5

1. 停止工具。
2. 转动旋钮 (1)，使工具头按顺时针或逆时针方向旋转。
3. 再次启动工具。

作业完毕

⚠ 警告 停止时间可能会超过 5 秒。

- ▶ 放下工具前，确保其关闭并且已完全停止。
- ▶ 停止时间取决于所使用的磨粒。

小心放下工具，确保工具不会自己/自行启动。

维护和保养

检验

使用空气管路润滑器加入 SAE #10 机油进行润滑，调整为每分钟两 (2) 滴。

维护说明

- 遵循本国/地区的环境法规，安全处理和处置所有部件。
- 必须由合格人员使用原装备件进行维护和修理工作。如果需要关于技术维修的建议或者需要备件，请与制造商或最近的授权经销商联系。
- 务须确保机器断开与能源的连接，以免意外运行。

- 如果工具每天都使用，请每 3 个月 (500 小时) 拆下并检查工具一次。更换损坏或磨损的部件。
- 为了最大程度减少停工时间，建议使用以下维修套件：**调试套件**

处置

- 在处理本设备时，必须遵循各自国家的立法。
- 所有受损、严重磨损或工作异常的器件均不得继续投入使用。

常规安全说明

空气供给和连接危险

- 压缩空气可能造成严重伤害。
- 在更换附件或者进行维修之前，若不使用工具，务必始终关闭气源、释放管中气压并断开工具与气源的连接。
- 任何时候不得将压缩空气对准自己或他人。
- 甩动的软管可造成严重的伤害。请务必检查软管和管件是否损坏或松动。
- 工具尾端不要直接使用快速接头。请参阅说明进行正确设置。
- 使用万向联轴节的时候一定要安装防松销钉。
- 不得超过最大空气压力 6.3 bar / 90 psig，也不得超过工具铭牌上注明的压力值。

缠绕危险

- 远离旋转驱动装置。操作工具或配件时不得穿着宽松的衣服、戴手套、佩戴首饰、项链，并应整理好头发，否则可能发生窒息、撕脱头皮和/或划伤。
- 手套可能会被驱动装置缠住，导致手指被切断或断裂。
- 驱动装置套筒和驱动器延长件能够很容易地切断橡胶手套或金属强化手套。
- 不得戴宽松的手套、半指手套或手指部分磨损的手套。
- 不得握住驱动装置、套筒或驱动器延长件。

抛射物危险

- 进行工具的操作、修理或维护工作或者更换工具附件或靠近操作现场时，要戴上耐冲击的眼部和面部护具。
- 要确认该区域的所有其他人都已戴上耐冲击的眼部和面部护具。即使较小的抛射物也可能对眼睛造成伤害并导致失明。
- 紧固件的过度扭转或扭转不足可能会导致其断裂、松动和分离，从而对人体造成严重的伤害。弹射出的配件可能相当于射出的子弹。配件需要特定的扭矩，因此必须使用扭矩计进行检查。

注意，所谓的“棘爪”转矩扳手无法检查扭矩是否可能过大的危险情况。

- 在操作时，切勿使工具离开工件。否则，它可能转动过快，从而导致附件被甩出工具。
- 确保工件牢固固定。

附件存在的危险

- 仅采用适当的附件紧固件 (见零配件清单)。尽可能使用深套筒。

- 对于使用销钉和 O 形环座槽固定系统的工具，请使用 O 形环将座槽销钉牢固固定。
- 仅使用符合冲击扳手额定值并且状况良好的套筒和附件。随冲击扳手一起使用状况不佳的套筒或手动套筒和附件可能会破碎，而碎片可能相当于射出的子弹。
- 务必采用尽可能简单的连接方法。有弹性的长加长杆或接头会吸收冲击力，从而可能断裂。尽可能使用深套筒。
- 在操作过程中，不要触摸套筒或附件，因为这将增加割伤、烧伤或振动伤害的风险。

操作危险

- 操作人员和维护人员必须有足够的体力掌握体大沉重的动力工具。
- 正确握住工具：准备好应对可能出现的正常或突然移动 - 双手都要做好准备。
- 请勿在气压降低或出现磨损时使用：离合器可能不工作，从而导致工具把手突然旋转。
- 任何时候都要控制好气门。避免被工具和工件夹伤。

重复性动作的危害

- 使用电动工具执行工作相关操作时，操作人员的双手、手臂、肩膀、脖子或身体其他部位可能会感到不适。
- 采用舒适的姿势，同时又能保持站稳，避免采用别扭或容易导致身体失去平衡的姿势。在进行长时间任务时，改变姿势有助于避免出现不适或疲劳。
- 不要忽视持续或断断续续的不适、疼痛、搏动、酸痛、麻感、麻木、灼烧感或僵硬等症状。如有此类症状，请停止使用工具，告知雇主并咨询医师。

噪音和震动危害

- 极高的声音强度可能会导致永久性的听力受损，以及诸如耳鸣的其他问题。使用您的用人单位或职业健康和安全法规推荐的听力保护用具。
- 暴露在震动环境中会对双手和手臂的神经和供血造成致残伤害。请穿着保暖衣物并保持双手温暖干燥。如果发现手脚麻木、刺痛、疼痛或皮肤发白，应该停止使用本工具，告知雇主并征求医生意见。
- 以安全的方式轻握工具，因为震动带来的风险一般来说在握力更大时会更高。
- 在可以的情况下使用悬架臂或在侧面安装一个把手。
- 按照说明手册选择、维护和更换附件和消耗品/插入式工具，以防止不必要的振动增加。
- 不要使用磨损或不合适的螺丝刀头、套筒或延长件，因为这可能会导致振动的大幅增加。

工作场所的危险

- 滑倒/绊倒/跌倒是造成严重伤害或死亡的一个主要原因。要注意地面上或者工件台面上多余的管子。
- 避免在工作过程中吸入粉尘或烟雾，或触碰碎屑，这些情况可能引起健康问题（例如，癌症、出生缺陷、哮喘和/或皮炎）。在处理可产生尘埃颗粒的材料时，请使用吸尘装置并戴上呼吸防护设备。
- 砂磨、锯切、打磨、钻孔等生产活动所产生的某些粉尘可能含有加州当局已知的可能导致癌症、先天性缺陷或其他生殖伤害的化学物品。例如：
 - 铅基涂料中的铅
 - 结晶硅砖和水泥以及其他泥工产品

- 经过化学处理的橡胶中含有的砷和铬

您暴露于这些化学物质的风险因您做该类工作的频率而异。为了降低您暴露于这些化学物品的风险，请注意下列事项：应该在通风良好的区域内工作，并使用经过核准的安全设备，比如专用的可以滤掉微粒的防尘面罩。

- 在不熟悉的环境中，请谨慎操作。要清楚您的作业活动可能导致的潜在危险。此工具并未与电源隔离。
- 不建议在有爆炸性气体的环境中使用此工具。

① 有关便携式气动工具的其他安全信息：

- CAGI 2528 - B186.1，便携式气动工具安全规范，可从 <https://global.ihs.com/> 的“全球工程文件”上或者致电 +1 800 447-2273 获取该文件。对于获取 ANSI 标准有任何疑问，请访问 <https://www.ansi.org/> 与 ANSI 联系。

有用的信息

原产地

Taiwan

网站

有关我们的产品、配件、备件和已发布事项的信息，请访问 Rodcraft 网站。

请访问：www.rodcraft.com。

安全数据表

安全数据表描述 Rodcraft 销售的化学产品。

有关更多信息，请访问 Rodcraft 网站 qr.cp.com/sds。

版权所有

© 版权所有 2023, Desoutter GmbH, Edmund-Seng-Str. 3-5, 63477 Maintal, Germany

保留所有权。禁止对此内容或其部分内容进行任何未经授权的使用或复制。本规定专门适用于商标、型号名称、部件编号和图纸。请仅使用经授权的部件。保修或产品责任不包括任何由于使用未经授权的部件而造成的损坏或故障。

宣言

EU 適合宣言

弊社 Desoutter GmbH, Edmund-Seng-Str. 3-5, 63477 Maintal, Germany は、弊社製品(名称、型式、およびシリアル番号)に関してはフロントページ参照)が次の指令に準拠していることを、当社単独責任の下で宣言します：

2006/42/EC (17/05/2006)

適用する整合規格：

EN 11148-6:2013



当局は、以下から関連する技術情報を要求できます。

Pascal Roussy, R&D Manager, Ets Georges Renault, 38 rue Bobby Sands, BP10273 44818 Saint Herblain, France

Saint-Herblain, 2023/02/07

Pascal ROUSSY

署名



騒音と振動に関する宣言

- 音圧レベル 84.8dB (A)、不確かさ 3 dB (A)、ISO 15744に準拠。
- 音響出力レベル 95.8 dB(A)、不確かさ 3 dB(A)、ISO 15744に準拠。
- 振動合計値 13.08 m/s² 不確かさ、1.63 m/s²、ISO-28927-2に準拠。

これらの宣言値は、規定の基準に従って行われた実験室環境でのテストにより得られたもので、同じ基準に従ってテストされた他のツールの宣言値との比較に適します。放出振動レベルは、曝露の先行評価に使用できます。これらの宣言値は、リスク評価における使用には適しておらず、個々の作業現場における測定値が宣言値を上回る場合もあり得ます。実際の暴露値と個々の使用者が被る被害は様々であり、使用者の作業方法、作業対象物、作業環境、および使用者の暴露時間と健康状態に依存します。

当社、Desoutter GmbH が制御できない作業状況における個別のリスク評価において、作業場所で実際の暴露値を考慮した値の代わりに宣言値を使用したことにより生じた結果について、いかなる責任も負わないものとしします。

本ツールの利用が適切に管理されていない場合、手腕振動障害を引き起こすことがあります。手腕振動を管理するためのEUのガイドは、<http://www.pneurop.eu/index.php> にアクセスし、「ツール」、次に「法制」を選択すれば見ることができます。

振動暴露によると思われる初期症状を発見するために、定期的な健康診断の実施が望まれます。これにより、将来の機能障害を防ぐための管理手法を見直すことが可能となります。

- ① 本装置を固定して使用する場合、放出騒音は機械組立員への参考として表示してあります。完成機械用の放出騒音および放出振動のデータは機械の取扱説明書に記載されています。

REACH第33条に関する情報

化学物質の登録、評価、認可および制限に関する欧州 (EU) 規制第1907/2006号 (REACH) は、とりわけサプライチェーンにおけるコミュニケーションに関する要件を定義しています。情報要件は、いわゆる「高懸念物質 (SVHC)」（「候補リスト」）を含む製品にも適用されます。2018年6月27日に、鉛金属 (CAS番号 7439-92-1) が候補リストに追加されました。

本書は、製品の特定の機械部品が鉛金属を含む可能性があることを、上記に従ってお知らせすることを目的としています。これは現行の化学物質規制法に準拠し、このため、RoHS指令 (2011/65/EU) の合法的免除に基づいています。通常の使用中に鉛金属が製品から漏

れたり、変化することはありません。また、製品全体の中の鉛金属の濃度は、該当する限界値をはるかに下回ります。製品の寿命終了時における鉛の処理に関する地域の要件をご考慮ください。

地域の要件

⚠ 警告

本製品によって、カリフォルニア州において癌や出生異常、その他生殖能への悪影響を引き起こすことが知られている鉛などの化学物質に晒されることがあります。詳細情報については<https://www.p65warnings.ca.gov/> をご覧ください。

<https://www.p65warnings.ca.gov/>

安全

捨てないでください - ユーザに渡してください

⚠ 警告 このパワーツールに付属するすべての安全警告、指示、図、仕様をお読みください。

以下に列記したすべての指示に従わない場合、感電、火災および/あるいは重傷に至る危険性があります。

今後の参考のために、すべての警告と注意事項を保管しておいてください。

⚠ 警告 設置、運転、およびメンテナンスに関連する、地域で制定された安全基準は常に順守されなければなりません。

使用に関するステートメント

- 業務用専用です。
- 本製品とその付属品は絶対に改造しないでください。
- 損傷している場合は本製品を使用しないでください。
- 本製品のツールデータ、危険性の警告サインの読み取りができなくなったり、外れている場合、即座に交換してください。
- 本製品は、工業的環境において有資格の担当者のみが設置、操作、修理するようにしてください。

用途

本製品は、木製、金属製、またはプラスチック製のネジ付きファスナの取り付けと取り外しのために設計されています。

ケーブルおよびバッテリー ツール: 屋内使用のみ。その他の用途での使用は許可されていません。

メーカーから最初に提供された純正品以外のスペアパーツまたはアクセサリを使用すると、パフォーマンスが低下し、メンテナンス、ノイズレベル、または振動が増加する可能性があります。その結果に対し、メーカーは一切責任を負いかねますのでご了承ください。

製品の詳細説明書

操作

空気供給の要件

1. 最大圧力 90 psi (6.3 バール) の清潔で乾燥した空気をツールに供給します。それ以上の圧力を使用すると、工具寿命が大幅に短くなります。
2. スキーマ3に示されている寸法のパイプ、ホース、継手を使用して、ツールをエアラインに接続します。

設置/操作

1. スキーマ3に示す通りにツールを接続します。
2. ツールを起動するには、安全レバー(1)を引き、スロットルレバー(2)を押します。
3. スロットルレバー(2)の圧力を上げてツールの速度を上げます。スキーマ2を参照してください。
4. スロットルレバー(1)を放してツールを停止させます。スキーマ1を参照してください。

ヘッド位置を変える

スキーマ4を参照してください。

1. ツールを停止します。
2. ロックスリーブ(1)を前方に押します。
3. ツールヘッドの位置を上下に変更するか(2)、通常の位置に戻します。スキーマ1を参照してください。
4. ロックスリーブ(1)を押し戻して、ヘッドの位置をロックします。スキーマ1を参照してください。

⚠ 警告

- ▶ ツールヘッドがロックされていない場合は、ツールを起動しないでください。

回転方向の変更

スキーマ5を参照してください。

1. ツールを停止します。
2. ノブ(1)を回して、ツールヘッドを時計回りまたは反時計回りに回転させます。
3. ツールを再度始動させます。

作業後

⚠ 警告 停止時間は5秒を超えることがあります。

- ▶ 横に置く際にはツールの電源が切れていることを必ず確認し、完全に止まっていることを確認してください。
- ▶ 停止時間は研磨材の使用によって異なります。

ツールを慎重に置いて、ツールが自動的に始動しないようにします。

サービスとメンテナンス

潤滑

エアラインに SAE #10 オイルのラインオイルを使用し、1分当たり2滴に調節してください。

メンテナンスに関する注意事項

- すべてのコンポーネントの安全な取り扱いと廃棄については、現地の環境規制に従ってください。
- メンテナンスおよび修理作業は、必ず元のスペアパーツを使用して、資格を持った担当者が行う必要があります。技術的サービスに関するアドバイスが必要な場合やスペアパーツが必要な場合は、メーカーまたはお近くの販売店までお問い合わせください。
- 偶発的な作動を回避するために、マシンが電源から切断されていることを必ず確認してください。
- ツールを毎日使用している場合は、3カ月(500時間)毎にツールを分解して点検してください。破損または磨耗した部品は交換してください。
- ダウンタイムを最小限に抑えるために、次のサービスキットをお勧めします：**チューンアップキット**

廃棄

- この機器を廃棄する場合は、各国の法律に従う必要があります。
- 損傷した、ひどく磨耗した、または不適切に機能するデバイスはすべて、**運転しないようにしなければなりません。**

一般的な安全に関する注意事項

給気と接続の危険性

- 加圧された空気は重傷を引き起こす可能性があります。
- 使用していないとき、アクセサリを変更する前、または修理を行うときは、常に空気供給を遮断し、ホースから空気圧を抜いて、空気供給からツールを外してください。
- エアを決して自分または他の人に向けないでください。
- ホースが暴れると重傷を引き起こす可能性があります。ホースや継手が損傷しているか、緩んでいないかを常に確認してください。
- ツールでクイックディスクコネクタカップリングを使用しないでください。正しい据え付け方法については、手順を参照してください。
- ユニバーサルツイストカップリングを使用する場合は常に、ロックピンを取り付ける必要があります。
- 6.3 bar/90 psig またはツールの銘板に書かれている最高空気圧を超えないようにしてください。

絡まりの危険性

- 回転している駆動部から離れてください。ルーズな衣服、手袋、装身具、ネクレス、頭髮などを工作機械および付属機器に近づけないようにしないと、機械詰まり、頭皮の引き込み、裂傷などを引き起こす原因になります。
- 手袋は回転駆動部と絡まり、指に重傷を負わせたり骨折することがあります。
- 回転駆動部ソケットや駆動延長部は、ゴムでコーティングした手袋や金属強化した手袋と絡みやすくなります。

- 寸法の合わない手袋や指先が摩耗した手袋、先をカットした手袋を使わないでください。
- 駆動部、ソケット、駆動延長部を決してつかまないでください。

飛散物の危険性

- ツールの操作、修理、保守の際、あるいはツールのアクセサリを交換する際、または、その近くにいる場合、必ず目と顔を守る耐衝撃性防具を着用してください。
- 同じ場所にいるほかの全員も、耐衝撃性のある目と顔の保護装備を装着してください。小さな飛散物であっても目を傷つけて失明の原因となります。
- 締め具のトルクが強すぎたり、弱すぎたりすると、壊れたり、緩んで分離したりして、重大なケガの原因になりかねません。アセンブリが外れると、飛散物になることがあります。特定のトルクを必要とする組み立てでは、トルクメーターで必ずトルクを確認してください。

注意：いわゆる「クリック」トルクレンチでは、潜在的に危険なトルク超過状態を確認することができません。

- 絶対にツールを作業面から離して操作しないでください。速く回転しすぎて、付属品が工具から外れて飛散する原因となります。
- ワークピースがしっかりと固定されているか確認してください。

付属品の危険性

- 適正なアクセサリ固定装置のみを使用してください（部品リストを参照）。可能な限り、ディープソケットを使用してください。
- ピンとOリングソケット保持システムを使ったツールでは、Oリングを使ってソケットピンをしっかりと保持してください。
- 状態の良いインパクトレンチ定格ソケットとアクセサリのみを使用してください。不良のソケットやハンドソケットおよび付属品をインパクトレンチと併用すると破砕して、飛散物となる可能性があります。
- 常に可能な限り最も単純な接続を使用してください。長い、弾力性のあるエクステンションバーやアダプタは衝撃力を吸収して、破損する可能性があります。可能な限り、ディープソケットを使用してください。
- 使用中はソケットやアクセサリに触れないでください。切り傷、火傷、振動による怪我のリスクが高まります。

操作に伴う危険性

- 作業者と保守要員には、このツールの大きさ、重量および動力の取り扱いが可能な身体能力が必要です。
- ツールを正しく保持してください。通常または突然の動きに対処するよう準備しておいてください。両手を使用できるようにしておいてください。
- エアー圧が減圧された状態で、または磨耗した状態で使用しないでください。クラッチが作動せず、ツールハンドルが突然回転することがあります。

- 常にスロットルを制御状態にしておいてください。工具と作業面の間に挟まれないようにしてください。

繰り返し動作の危険性

- パワーツールを使って作業に関連する動作を行う際に、手や腕、肩、首、その他の身体の部位に作業員が不快感をもつことがあります。
- 足元をしっかりと保ち、無理な姿勢やバランスを崩した姿勢を避けながら操作しやすい姿勢を取ってください。長時間の作業中に姿勢を変えることで、不快感や疲労を避けることができます。
- 持続的な不快感や繰り返しのある不快感、痛み、拍動、疼き、刺痛、麻痺、焼けるような感覚、固さといった兆候を無視しないでください。ツールの使用を中止し、雇用主に伝え、医師の診察を受けてください。

ノイズおよび振動障害

- 高サウンドレベルにより永久に聴力が失われたり、耳鳴りなどの問題が生じることがあります。ご自身の雇用者、または職業上の健康と安全のための規定で推奨される防音用耳栓を使用してください。
- 振動への暴露は神経を損傷し、手腕の血液供給を阻害する危険性があります。温かい衣服を着用し、手を暖かく乾燥した状態に保ってください。麻痺やチクチクした痒みがある場合、または肌が蒼白化した場合、ツールの使用を中止し、雇用主に伝えて医師の診察を受けてください。
- 握る力を強くすると振動の危険性が一般に高くなるため、ツールは軽く安全に握って保持してください。
- 可能であれば、サスペンションアームを使用するか、サイドハンドルを取り付けてください。
- 振動レベルの不必要な増加を防ぐために、取扱説明書に従ってアクセサリと消耗品/挿入ツールを選択、保守、交換してください。
- 摩耗した、またはぴったり適合しないドライバービット、ソケット、エクステンションは使用しないでください。振動が大幅に増加するおそれがあります。

作業場の危険性

- 滑ること、つまづくこと、転倒が重大なケガや死亡事故の主な原因です。歩行面や作業場の床に置かれた余分なホースに気をつけてください。
- 作業の過程で出るホコリを吸い込んだり、破片に手で触れないでください。健康上有害となる可能性があります（癌、出生異常、喘息、皮膚炎など）。浮遊粒子の生じる物質を扱う作業では、集塵機を使用し、呼吸用保護具を装着してください。
- 動力を使った研磨、切断、研削、穴あけ、その他の建築作業で生じるホコリには、カリフォルニア州において、癌や出生異常その他生殖への危害を引き起こすことが知られている化学物質が含まれている場合があります。以下は、そうした化学物質の例です：
 - 鉛入りの塗料から出る鉛
 - 結晶シリカのレンガやセメントその他の築壁用製品
 - 化学処理したゴムに由来する砒素およびクロム

こうしたものに曝されることによる危険性は、この様な作業をどれほど頻繁に行うかによって異なります。こうした化学物質への曝露を低減するには、十分な換気が行われている場所で作業し、微細粒子を除去する特殊設計の防塵マスク等の認可された安全機器を使って作業を行ってください。

- 慣れない環境で作業する場合は、細心の注意を払ってください。作業によって生じる可能性のある危険に注意を払ってください。このツールは、電源と接触する場合に対して絶縁されていません。
- このツールは爆発する可能性のある環境下で使用しないでください。

① ポータブルエアツールに関する追加安全情報:

- CAGI 2528 - B186.1、「ポータブルエアツールの安全規定 (SAFETY CODE FOR PORTABLE AIR TOOLS)」はGlobal Engineering Documents (<https://global.ihs.com/>) から入手いただくか、+1 800 447-2273までお電話ください。ANSI (米国規格協会) 規格が入手できない場合は、<http://www.ansi.org/> からANSIまでお問い合わせください。

有用な情報

生産国

Taiwan

ウェブサイト

当社の製品、付属品、スペアパーツおよび公表事項に関する情報は、RodcraftのWebサイトにてご覧いただけます。

次をご覧ください：www.rodcraft.com.

安全データシート

安全データシートには、Rodcraftが販売する化学製品が記載されています。

詳細情報については、Rodcraftウェブサイト (qr.cp.com/sds) を参照してください。

著作権

© 著作権 2023, Desoutter GmbH, Edmund-Seng-Str. 3-5, 63477 Maintal, Germany

無断複写・複製・転載を禁ず。本書の内容の一部または全部を無断転載あるいは不正使用することは禁止されています。上記禁止行為は、特に商標、モデルの文書化、部品番号および図面に適用されます。認可済みの部品のみ使用してください。未認可の部品の使用によって引き起こされる一切の損傷または誤動作は、保証責任または製造物責任の対象とはなりません。

선언

EU 적합성 선언

Desoutter GmbH, Edmund-Seng-Str. 3-5, 63477 Maintal, Germany은(는) 제품(이름, 종류 및 일련번호 포함, 제1면 참조)이 다음 지침을 준수하고 있음을 당사의 전적인 책임 하에 선언합니다.

2006/42/EC (17/05/2006)

합의 표준 적용:
EN 11148-6:2013

관련 기술 정보는 관계 당국에서만 요청할 수 있음:

Pascal Roussy, R&D Manager, Ets Georges Renault, 38 rue Bobby Sands, BP10273 44818 Saint Herblain, France

Saint-Herblain, 2023/02/07

Pascal ROUSSY



서명

소음 및 진동 표시 선언

- 음압 레벨 84.8 dB(A), 불확실성 3 dB(A), ISO 15744에 부합.
- 음압 레벨 95.8 dB(A), 불확실성 3 dB(A), ISO 15744에 부합.
- 진동 총 값 13.08 m/s², 불확실성 1.63 m/s², ISO-28927-2에 부합

이러한 표시 값은 언급된 표준에 따라 실험실 유형 테스트에 의해 획득되었으며 동일한 표준에 따라 테스트한 다른 공구의 표시 값과 비교하기에 적합합니다. 진동 방출 수준은 노출에 대한 사전 평가를 위해 사용될 수 있습니다. 이러한 표시 값은 위험 평가에 사용하기에 적합하지 않으며 개별 작업장에서 측정된 값이 더 높을 수 있습니다. 실제 노출 값과 개별 사용자가 경험한 유해 위험 수준은 고유하며 사용자의 작업 방식, 작업 대상물, 작업대 설계뿐만 아니라 노출 시간 및 사용자의 신체적 조건에 따라 다릅니다.

Desoutter GmbH는 당사가 통제할 권한이 없는 작업장 상황에서 발생하는 개별 위험 평가로 실제 노출을 반영하는 값 대신 표시 값을 사용한 결과에 대해 책임을 지지 않습니다.

본 공구를 적절히 관리하면서 사용하지 않으면 손-팔 진동 증후군이 유발될 수 있습니다. 손-팔 진동 증후군 관리에 대한 EU 참고 자료는 <http://www.pneurop.eu/index.php>에 접속한 다음 '공구', '법규' 순으로 선택하면 확인할 수 있습니다.

당사는 소음 또는 진동 노출과의 관련 가능성이 있는 증상을 조기에 감지하는 건강 감시 프로그램을 권장하며, 이를 통해 관리 절차를 수정하여 향후 발생할 수 있는 장애를 사전에 차단할 수 있습니다.

- ① 이 장비는 고정 설비에 사용하도록 되어 있습니다. 소음 방출은 기계 설치업자의 참고 자료로 활용됩니다. 완성된 기계의 소음 및 진동 방출 데이터는 기계의 사용 설명서에 수록되어 있습니다.

REACH 33조에 관한 정보

등록, 평가, 허가 및 화학 물질 규제(REACH: Registration, Evaluation, Authorization and restriction of Chemicals)에 관한 유럽 규정 (EU) No. 1907/2006은 공급망에서 커뮤니케이션과 관련된 요구 사항을 정의합니다. 정보 요구 사항은 소위 매우 우려가 되는 물질(이하 “후보목록”)이 포함된 제품에도 적용됩니다. 2018년 6월 27일 납 금속(CAS no 7439-92-1)이 후보 목록에 추가되었습니다.

위의 내용에 의거하여 제품의 특정 기계 부품에 납 금속이 포함될 수 있음을 알려드립니다. 이는 현재의 물질 제한 법안에 적법하며 RoHS 지침(2011 / 65 / EU)의 합법적 면제에 근거합니다. 납 금속은 정상적인 사용 중에는 제품에서 누출되거나 변이가 되지 않으며, 완제품에서 납 금속의 농도는 적용 기준 한계보다 훨씬 낮습니다. 제품 폐기시 납의 폐기에 대한 현지 요구 사항을 고려하십시오.

지역 요구 사항

⚠ 경고

이 제품을 사용하면 캘리포니아 주에서 보고된 암 및 선천적 장애 또는 기타 출산 장애를 유발하는 납을 포함한 화학 물질에 노출될 수 있습니다. 자세한 정보는 <https://www.p65warnings.ca.gov/> 웹 사이트를 참조하십시오.

<https://www.p65warnings.ca.gov/>

안전

버리지 마십시오 – 사용자에게 주십시오

⚠ 경고 이 전동 공구와 함께 제공되는 모든 안전 경고, 지침, 그림 및 사양을 읽으십시오.

아래 나열된 지침을 모두 따르지 않으면 감전, 화재 및/또는 심각한 상해가 발생할 수 있습니다.

나중에 참조할 수 있도록 모든 경고와 지침을 보관하십시오.

⚠ 경고 설치, 운영 및 유지보수에 대해 지역별로 지정된 안전 규칙은 언제나 지켜야 합니다.

용도 선언

- 전문 용도로만 사용하십시오.
- 이 제품과 그 부속품을 변형시켜서는 안 됩니다.
- 이 제품이 손상된 경우 사용하지 마십시오.
- 제품 데이터 또는 위험 경고 징후가 보이거나 확실한 경우, 기다리지 말고 즉시 교체하십시오.
- 이 제품은 산업용 조립 환경에서 자격을 갖춘 담당자만 설치, 작동 및 수리할 수 있습니다.

용도

이 제품은 목재, 금속 또는 플라스틱에서 나사산이 있는 패스너의 설치 및 제거 용도로 제작되었습니다.

케이블 및 배터리 도구: 실내에서만 사용해야 합니다. 다른 용도는 허용되지 않습니다.

제조업체가 본래 제공한 부품 이외의 예비 부품 또는 부속품을 사용할 경우 성능이 저하되고 유지보수 횟수 및 진동 수준이 증가되어, 그러한 결과로서 해당 제품이 제조업체의 책임 보험 대상에서 완전히 제외될 수 있습니다.

제품별 설명

작동

공기 공급 장치 요구 사항

1. 공구에 깨끗하고 건조한 공기를 최대 압력 90 psig(6.3bar) 압력으로 공급합니다. 압력이 높을수록 공구 수명이 크게 줄어듭니다.
2. 스키마 3에 표시된 파이프, 호스 및 장착 크기를 사용하여 공구를 공기 라인에 연결해 주세요.

설치/작업

1. 스키마 3과 같이 공구를 연결해 주세요.
2. 공구를 시동하려면 안전 레버(1)를 당기고 스톱 레버(2)을 누릅니다.
3. 스톱 레버(2)에 가해지는 압력을 증가시켜 공구 속도를 높일 수 있습니다. 스키마 2 참조
4. 스톱 레버(1)를 놓아 공구를 정지할 수 있습니다. 스키마 1 참조

헤드 위치 돌리기

스키마 4 참조

1. 공구 정지를 정지합니다.
2. 잠금 슬리브(1)를 앞으로 밀니다.
3. 공구 헤드의 위치를 위 또는 아래(2)로 변경하거나 정상 위치로 돌립니다. 스키마 1 참조.
4. 잠금 슬리브(1)을 뒤로 밀어 헤드 위치를 잠급니다. 스키마 1 참조

⚠ 경고

- ▶ 공구 헤드가 잠기지 않은 경우 공구를 시동하지 마십시오.

회전 방향 변경

스키마 5 참조

1. 공구 정지를 정지합니다.
2. 노브(1)를 돌려 공구 헤드를 시계 방향 또는 시계 반대 방향으로 돌립니다.
3. 공구를 다시 시작합니다.

작업 종료 후

⚠ 경고 정지 시간은 5초 이상 소요될 수 있습니다.

- ▶ 공구를 내려놓기 전에 공구의 전원이 꺼져 완전히 정지된 상태가 되도록 하십시오.
- ▶ 정지 시간은 사용된 연마제에 따라 달라집니다.

공구가 저절로 또는 스스로 시작되지 않도록 주의해서 공구를 내려놓아주세요.

서비스 및 유지관리

윤활

에어 라인 윤활기를 분당 2방울로 조정된 SAE #10 오일과 함께 사용하십시오.

유지보수 지침

- 모든 구성품의 안전한 취급 및 폐기는 해당 국가의 환경 규정을 준수해야 합니다.
- 유지 관리 및 수리 작업은 정품 예비 부품을 사용하여 자격을 갖춘 기술자만 수행해야 합니다. 기술 서비스 또는 부품을 필요로 하면 제조사 또는 가까운 공인 대리점에 문의해 주세요.
- 실수로 작동되는 것을 방지하려면 항상 기계가 동력 원으로부터 분리되었는지 확인해 주세요.
- 공구를 매일 사용하는 경우 3개월마다 공구를 분해해서 검사해 주세요. 손상되거나 마모된 부품을 교체해 주세요.
- 가동 중지 시간을 최소로 유지하기 위해 다음 서비스 키트를 권장합니다. **튜업 키트**

폐기

- 이 장비의 폐기할 경우 해당 국가의 관련 법류를 반드시 준수해야 합니다.
- 완전히 손상되고, 심하게 마모되었거나 제대로 작동하지 않는 장치는 반드시 작동을 멈추어야 합니다.

일반 안전 지침

공기 공급 및 연결의 위험

- 절대 공기를 자신이나 다른 사람에게 향하게 하지 마십시오.
- 사용하지 않거나, 부속품을 교체하거나 수리 시에는, 항상 공기 공급 장치를 닫은 다음 호스의 공기 압력을 제거하고 나서 공구를 공기 공급 장치로부터 분리합니다.
- 절대로 공기가 자신이나 다른 사람을 향하도록 하지 마십시오.
- 공기를 뿜으며 움직이는 호스는 충상을 초래할 수 있습니다. 호스와 피팅이 느슨하거나 손상되지 않았는지 항상 점검해 주세요.
- 퀵 디스커넥트 커플링을 공구에 사용하지 마십시오. 올바른 설치에 대한 설명을 참조해 주세요.
- 범용 트윈스트 커플링의 사용시 반드시 잠금 핀을 설치해야 합니다.
- 최대 공기 압력인 6.3 bar/90 psig 혹은 공구 명판의 한도를 초과하지 마십시오.

엄힘 위험

- 회전하는 드라이브에 가까이 가지 마십시오. 느슨한 의복, 장갑, 보석류, 넥타이 종류 및 머리카락을 공구 및 부속품으로부터 멀리하지 않으면 질식, 두피 손상 및/또는 열상이 발생할 수 있습니다.
- 회전하는 드라이브에 장갑이 엉킬 수 있으며 이는 손가락 상해 또는 파열을 야기할 수 있습니다.
- 회전하는 드라이브 소켓과 드라이브 연장부는 고무 코팅 장갑 또는 금속 보강 장갑이 쉽게 엉킬 수 있습니다.

- 늘어진 장갑 또는 손가락 부위가 없거나 닳아 빠진 장갑을 착용하지 말아 주세요.
- 드라이브, 소켓 또는 드라이브 연장부를 절대 손으로 잡지 마십시오.

발사체의 위험

- 작업을 하거나 근처에 있을 경우, 공구의 수리나 유지보수 시 혹은 공구의 부속품 교체 시에는, 항상 내충격 눈 및 안면 보호 장비를 착용해야 합니다.
- 작업 영역에 있는 모든 사람들이 내충격 눈 및 안면 보호 장비를 착용하세요. 작은 투사물이라도 눈을 상하게 하거나 실명을 초래할 수 있습니다.
- 패스너 토크가 과다하거나 미달되는 경우 충상을 초래할 수 있으며, 이로써 부서짐, 느슨함 또는 분리가 발생할 수 있습니다. 빠진 조립물이 튕겨져 나올 수 있습니다. 특정한 토크를 필요로 하는 조립은 토크 미터를 사용하여 점검해 주셔야 합니다.

참고 소위 말하는 “클릭” 토크 렌치는 위험할 수 있는 과다 토크 상태를 점검할 수 없습니다.

- 작업물로부터 떨어진 상태에서는 절대 공구를 작동하지 마십시오. 너무 빨리 작동하여 부수장치가 공구로부터 날아갈 수 있습니다.
- 작업물이 확실히 고정되어 있는지 확인하십시오.

부속품의 위험

- 적절한 부수장치 리테이너만 사용하십시오(부품 목록 참조). 가능하면 어디서나 깊은 소켓을 사용하십시오.
- 핀과 O링 소켓 보유 시스템을 사용하는 공구는 O링을 사용하여 소켓 핀을 안전하게 유지해야 합니다.
- 상태가 양호한 충격 렌치 정격 소켓 및 부수장치만 사용하십시오. 불량한 상태의 소켓, 핸드 소켓 및 부속품을 임팩트 렌치와 함께 사용하면 부서지거나 발사체가 될 수 있습니다.
- 언제든지 가능하면 가장 간단한 연결을 사용하십시오. 기다란 스프링식의 확장 바 및 어댑터는 충격 힘을 흡수하여 부서질 수 있습니다. 가능하면 어디서나 깊은 소켓을 사용하십시오.
- 작동 중에 소켓이나 액세서리를 만지지 마십시오. 절단, 화상 또는 진동으로 인한 부상의 위험이 증가합니다.

작업 시 위험

- 작업자와 유지보수 인원은 이 공구의 부피와 중량 및 힘을 육체적으로 취급할 수 있어야 합니다.
- 공구를 올바르게 잡으십시오. 정상적이거나 갑작스러운 움직임에 대처할 준비를 하세요. 두 손을 사용할 수 있어야 합니다.
- 감소된 공기 압력이나 마모된 상태에서는 사용하지 마십시오: 클러치가 작동하지 않아 공구 핸들이 갑자기 회전할 수 있습니다.
- 항상 스로틀을 제어하십시오. 공구와 작업물 사이에 끼이지 마십시오.

반복적인 동작의 위험

- 파워 공구를 사용하여 작업 관련 활동을 수행할 때 작업자가 손, 팔, 어깨, 목 또는 기타 신체 부위의 불편감을 경험할 수 있습니다.

- 편안한 자세를 취하되 서 있는 자세를 안정적으로 유지하고 어색하거나 불균형한 자세를 취하지 않아야 합니다. 장시간 작업하는 동안 자세를 바꾸면 불편감과 피로를 해소하는 데 도움이 됩니다.
- 불편감, 통증, 욕신거림, 쑤심, 저림, 무감각, 화끈거림 또는 뻣뻣함이 지속되거나 재발되는 등의 증상을 무시하지 마십시오. 이러한 경우, 공구 사용을 중단하고 고용주에게 알린 다음 의사와 상담해야 합니다.

소음 및 진동 위험

- 소음 수준이 높으면 영구적인 청력 손상 및 이명과 같은 기타 문제를 야기할 수 있습니다. 귀하의 고용주나 직업 건강 및 안전 법규가 권장하는 청력 보호 도구를 사용해 주세요.
- 진동에 노출되면 신경 및 손과 팔의 혈액 공급에 심각한 손상을 야기할 수 있습니다. 따뜻한 의복을 착용하고 양손을 따뜻하고 건조하게 유지하십시오. 무감각, 저림, 통증 또는 피부 백화 증상이 발생하면, 공구 사용을 중단하고 고용주에게 알린 다음 의사와 상담하세요.
- 일반적으로 잡는 힘이 강할수록 진동으로 인한 위험이 커지므로 공구를 잡을 때는 안전하면서도 가볍게 잡아주세요.
- 가능하면 서스펜션 암을 사용하거나 사이드 핸들을 설치하십시오.
- 설명서의 지침에 따라 부속품 및 소모품, 삽입된 공구를 선택, 유지관리 및 교체하여 불필요한 진동 수준 증가를 방지하십시오.
- 마모되거나 잘못 끼운 스크루드라이버 비트, 소켓 또는 확장부를 사용하지 마십시오. 진동이 크게 증가할 수 있습니다.

작업장 위험

- 미끄러짐/걸려 넘어짐/추락은 중상이나 사망의 주요 원인입니다. 걸터다니거나 작업하는 장소의 표면에 호스가 남아 있을 수 있으므로 주의해 주세요.
- 질병(예: 암, 선천적 결손증, 천식 및/또는 피부염)을 유발할 수 있는 작업 과정에서 발생하는 분진 또는 연무의 흡입이나 부스러기의 취급을 피해야 합니다. 공기 중 입자를 생성하는 재질을 사용하는 작업 시, 분진 추출 장치를 사용하며 호흡 보호구를 착용하십시오.
- 톱질, 연삭, 드릴링 및 기타 건축 활동에 의해 생성되는 일부 분진은, 캘리포니아 주에서 정한 암, 태아 기형 또는 기타 생식 관련 손상을 초래하는 것으로 알려진 화학물질을 함유합니다. 이러한 화학물질의 예는 다음과 같습니다.
 - 납 기반 페인트의 납
 - 결정성 실리카로 만든 벽돌, 시멘트 및 기타 석재 제품들.
 - 화학 처리된 고무의 비소 및 크롬.

이러한 노출에 따른 위험은 이러한 유형의 작업 빈도에 따라 다릅니다. 이러한 화학물질에 대한 노출 감소 방법: 환기가 잘 된 장소에서 작업하며, 미립자를 여과하도록 특별히 설계된 분진 마스크와 같은 승인 받은 안전 장비를 사용하여 작업.

- 익숙하지 않은 환경에서는 주의해서 작업을 진행해 주세요. 작업 도중 숨겨진 위험이 존재할 수 있습니다. 이 공구는 전원과 접촉 시 절연되지 않습니다.

- 이 공구의 폭발이 가능한 대기에서의 사용은 권장되지 않습니다.

① 휴대용 에어 공구에 관한 추가 안전 정보:

- CAGI 2528 - B186.1, 휴대용 에어 공구의 안전 코드는, <https://global.ihs.com/>에서 글로벌 엔지니어링 문서를 찾아보시거나 전화 +1 800 447-2273로 문의해 주십시오. ANSI 표준의 취득에 어려움이 있으면, <https://www.ansi.org/>를 통해 ANSI에 연락하십시오.

유용한 정보

원산지 국가

Taiwan

웹사이트

제품, 부속품, 예비 부품 및 게시된 사안에 관한 정보는 Rodcraft 웹 사이트에서 찾을 수 있습니다.

다음 자료 및 웹 사이트를 참조해 주세요.

www.rodcraft.com.

안전 데이터 시트

안전 데이터 시트는 Rodcraft가 판매하는 화학 제품을 설명합니다.

자세한 정보는 Rodcraft 웹사이트 qr.cp.com/sds을 참조하십시오.

저작권

© Copyright 2023, Desoutter GmbH, Edmund-Seng-Str. 3-5, 63477 Maintal, Germany

모든 권리 보유. 본 문서의 내용 또는 내용의 일부에 대한 비 승인된 모든 사용 또는 복사 행위는 엄격히 금지됩니다. 이는 특히, 상표, 모델 명칭, 부품 번호 및 도면에 적용됩니다. 승인된 부품만 사용하십시오. 비 인가된 부품을 사용함으로써 인해 발생하는 모든 손상 또는 고장은 보증 또는 생산물 책임 범위에 포함되지 않습니다.

Original instructions
Traduction de la notice originale
Übersetzung der Originalbetriebsanleitung
Traducción de las instrucciones originales
Tradução das instruções originais
Traduzione delle istruzioni originali
Vertaling van oorspronkelijke instructies
Oversættelse af originalvejledning
Oversættelse av originalinstruksjoner.
Käännös alkuperäisistä ohjeista
Μετάφραση πρωτότυπων οδηγιών
Översättning av ursprungliga instruktioner
Перевод оригиналов инструкций
Tłumaczenie oryginalnej instrukcji

Preklad originálnych pokynov
Překlad původních pokynů
Eredeti utasítások fordítása
Prevod izvirnih navodil
Traducerea instrucțiunilor originale
Orijinal talimatların çevirisi
Превод на оригиналните инструкции
Prijevod originalnih uputa
Originaaljuhiste tõlge
Originalių instrukcijų vertimas
Oriģinālo instrukciju tulkojums
原始说明的翻译
使用說明書初出翻譯
원본 설명서의 번역문

www.rodcraft.com

RC **RODCRAFT**®

